

RG128/1300-3612

EC centrifugal fan

single inlet

with housing (flange), Gas blower for gas-condensing heating



RG128/1300-3612 ebmpapst Datasheet

sales@fansco.com

www.fansco.com

Nominal data

Type	RG128/1300-3612	
Phase		1~
Nominal voltage	VAC	230
Frequency	Hz	50/60
Speed	min ⁻¹	7400
Power input	W	67
Air flow	m ³ /h	134
Pressure increase	Pa	2000

ml = Max. load · me = Max. efficiency · fa = Running at free air · cs = Customer specs · cu = Customer unit
Subject to alterations



RG128/1300-3612

EC centrifugal fan

single inlet

with housing (flange), Gas blower for gas-condensing heating

Technical features

Mass	1.4 kg
Housing material	Die-cast aluminum
Mounting position	To be specified for corresponding support elements
Bearing	Ball bearings
Connection line	A and C

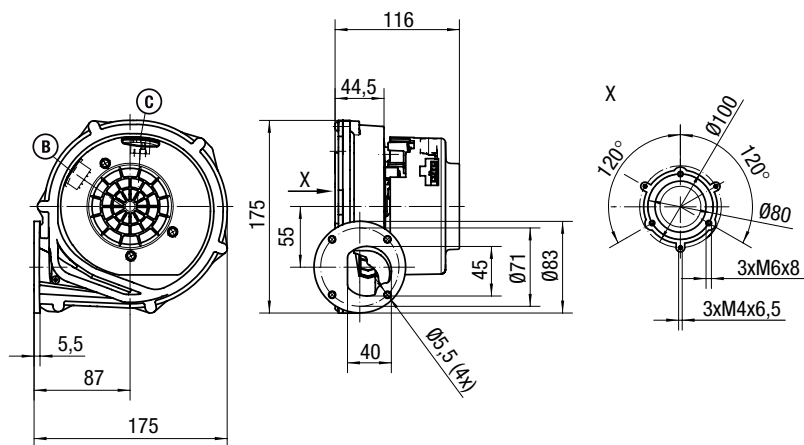


EC centrifugal fan

single inlet

with housing (flange), Gas blower for gas-condensing heating

Product drawing

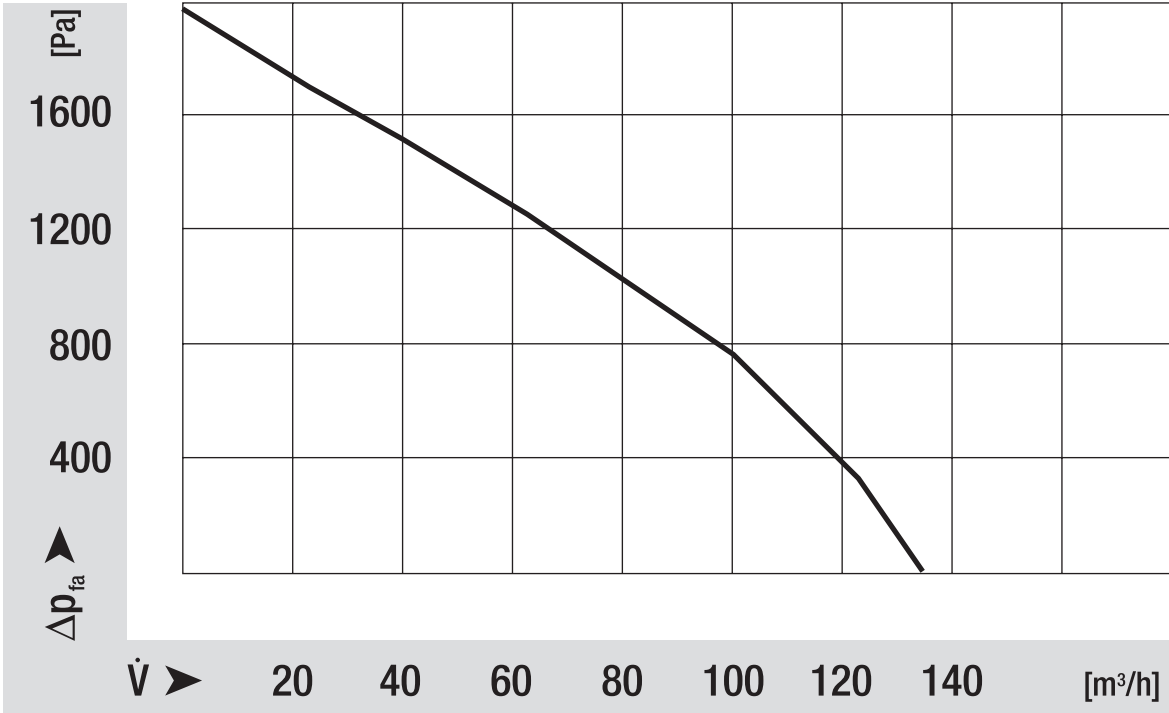


EC centrifugal fan

single inlet

with housing (flange), Gas blower for gas-condensing heating

Charts: Air flow



EC centrifugal fan

single inlet

with housing (flange), Gas blower for gas-condensing heating

Charts: Speed

