

Product Data Sheet **9544014164**
VBS0125XQHCZ
RER125-19/56U-164

ebmpapst

The engineer's choice

RER125-19/56U-164 (9544014164) ebmpapst Datasheet
sales@fansco.com
www.fansco.com



RER125-19/56U-164

INDEX

1 General 3

2 Mechanics 3

2.1 General..... 3

2.2 Connections..... 4

3 Operating Data 5

3.1 Electrical Operating Data 5

3.2 Electrical Features 6

3.3 Aerodynamics 6

3.4 Sound Data..... 7

4 Environment..... 7

4.1 General..... 7

4.2 Climatic Requirements 8

5 Safety..... 8

5.1 Electrical Safety 8

5.2 Approval Tests..... 9

6 Reliability..... 9

6.1 General..... 9

1 General

Fan type	Blower without chassis with intake nozzle
Rotating direction looking at rotor	Clockwise
Airflow direction	Air in axially, Air out radially
Bearing system	Ball bearing
Mounting position - shaft	Any
Balancing grade	6,3

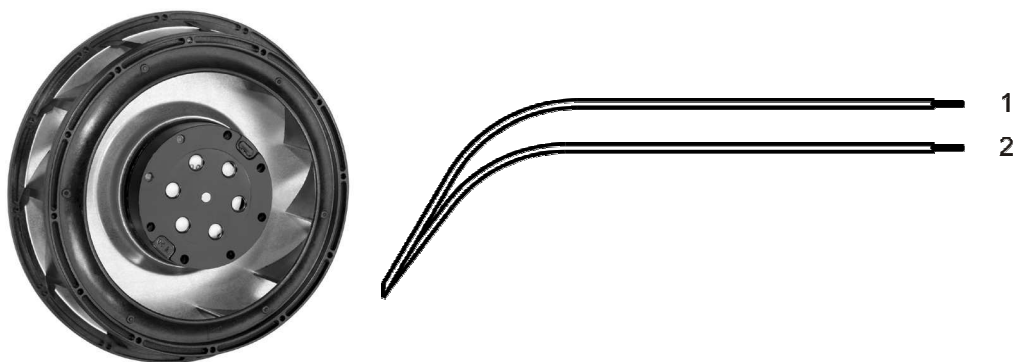
2 Mechanics

2.1 General

Width	0,0 mm	
Height	0,0 mm	
Depth	40,0 mm	
Diameter	138,0 mm	
Mass	0,500 kg	
Housing material		
Impeller material	Mixed	

2.2 Connections

Electrical connection	Wires	
Lead wire length	L = 400,0 mm	
Tolerance	+ - 10,0 mm	
Tube length	S = 240,0 mm	
Tolerance	+ - 10,0 mm	
Wire size (AWG)	22	
Insulation diameter	1,09 mm	
Plug	See drawing	
Contact	See drawing	



	Color	Operation
1	blue	L
2	blue	N

3 Operating Data

3.1 Electrical Operating Data

For checking purposes the electrical data can be specified without an intake nozzle / aperture plate as well. For this the data have to defined by the appropriate quality assurance.

3.4 Sound Data

Measurement conditions: Sound pressure level: 1 meter distance between microphone and the air intake.
Sound power level: Acc. to DIN 45635 part 38 (ISO 10302) Sound power level: Acc. to DIN 45635 part 38 (ISO 10302)
Measured in a semianchoic chamber with a background noise level of $L_p(A) < 5 \text{ dB(A)}$
For further measurement conditions see chapter aerodynamics.

a.) Operation condition:

2.050 1/min at free air flow

Frequency: 50 Hz

Optimal operating point	28,0 m ³ /h @ 43 Pa	
Sound power level at the optimal operating point	5,0 bel(A)	
Sound pressure level at free air flow, measured in rubber bands		

b.) Operation condition:

2.150 1/min at free air flow

Frequency: 50 Hz

Optimal operating point	32,0 m ³ /h @ 46 Pa	
Sound power level at the optimal operating point	5,1 bel(A)	
Sound pressure level at free air flow, measured in rubber bands		

4 Environment

4.1 General

Min. permitted ambient temperature TU min.	-30 °C / 50 Hz	
Max. permitted ambient temperature TU max.	75 °C / 50 Hz	
Min. permitted storage temperature TL min.	-40 °C	
Max. permitted storage temperature TL max.	90 °C	

4.2 Climatic Requirements

IP-protection type (certified)	IP 54 (for fan only, not for connector if applicable) **)	
Humidity requirements	humid temperature, cyclic; according to DIN EN 60068-2-38, 10 cycle and condensation water check; according to DIN EN ISO 6270-2, 14 days	
Salt fog requirements	None	

Permitted application area:

The product is for the use in partial sheltered rooms or open, roofed areas. Direct exposure to water is allowed provided that this does not prevent the normal operation. Saline ambient conditions must be avoided.

Pollution degree 3 (according DIN EN 60664-1)

It occurs conductive pollution or dry non-conductive pollution which becomes conductive due to condensation.

**) The specification of the IP protection refers to the conditions mentioned in certification of the fan. The above mentioned short description of the protection scope is not final. For detailed information of the respective protection scope and definitions, see certification as well as DIN EN 60529 (protection by housings) and ISO 20653 (for vehicles) with the letter K.

Short description of the IP-protection type:

Solid particle Protection: Protected against dust.

Protection against deliberate contact: Protected against contact to hazardous parts with a wire.

Protection against water: Protected against splashing water.

5 Safety

5.1 Electrical Safety

Dielectric strength DIN EN 60950 (VDE 0805) and DIN EN 60335 (VDE 0700) A.) Type test Measuring conditions: After 48h of storage at 95% R.H. and 25°C. No arcing or breakdown is allowed! All connections together to ground. B.) Routine test Measuring conditions: At indoor climate. No arcing or breakdown is allowed! All connections together to ground.	1500 VAC / 1 Min. 1500 VAC / 1 Sec.
Isolation resistance Measuring conditions: After 48h of storage at 95% R.H. and 25°C measured with U=500 VDC for 1 min.	RI > 50 MOhm
Clearance / creepage distance	2,0 mm / 1,8 mm
Protection class	I

5.2 Approval Tests

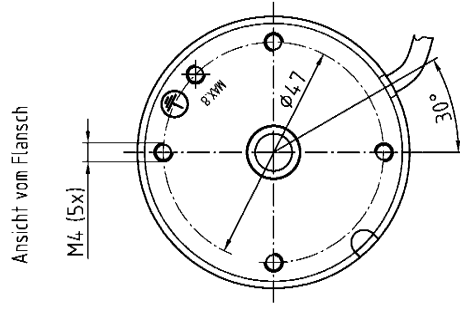
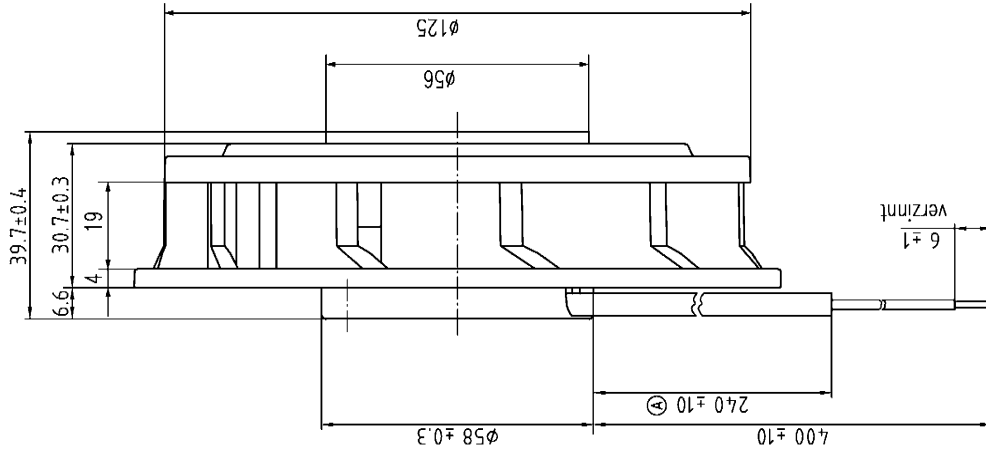
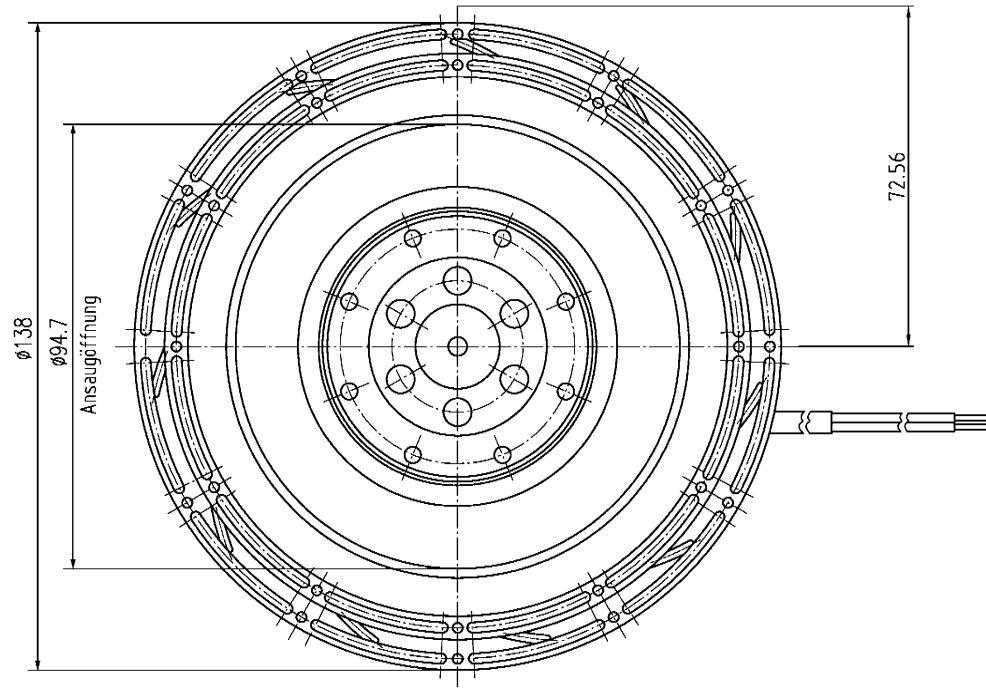
CE	EC Declaration of Conformity	Yes
EAC	Eurasian Conformity	Yes
UL	Underwriters Laboratories	Yes / UL507, Electric Fans E38324
VDE	Association for Electrical, Electronic and Information Technologies	Yes / Approval acc. to EN 60335 (VDE 0700) - Safety for household and similar electrical appliances
CSA	Canadian Standards Association	Yes / C22.2 No. 113 Fans and Ventilators
CCC	China Compulsory Certification	Yes / GB 12350 Safety Requirements for small Power Motors

6 Reliability

6.1 General

Life expectancy L10 at TU = 40 °C	40.000 h / 50 Hz	
Life expectancy L10 at TU max.	20.000 h / 50 Hz	

Schutzrecht nach DIN ISO 15026 beachten!
 Refer to protection notice DIN ISO 15026!
 Copying of this document, and giving it to others and the use or communication of the contents thereof, are
 forbidden without express authority. Offenders are liable to the payment of damages. All rights are reserved
 in the event of the grant of a patent or the registration of a utility model or design.



Axialspiel: mit Feder spielfrei verspannt

Teilzeichnung/Tolerances: Allgemein/General/ Gen. Tolerances:		DIN 7167		Maßstab/Scale
Datum/Date	Name/Name			Artikel/ Title
Bearb./Drawn	Index/Index	ebmpapst		Zeich.-Nr./ Drawg.-No.
gep. u. zur Verwendung freigegeben/Released for release		ebm-papst St. Georgen GmbH & Co. KG		Ers.f./Zugf./ Replaces:
				Blatt/Page
				A3