

R4E450-AB09-06

AC centrifugal fan

backward-curved, single-intake



R4E450-AB09-06 ebmpapst Datasheet

sales@fansco.com

www.fansco.com

Limited partnership · Headquarters Mulfingen

Amtsgericht (court of registration) Stuttgart · HRA 590344

General partner Elektrobau Mulfingen GmbH · Headquarters Mulfingen

Amtsgericht (court of registration) Stuttgart · HRB 590142

Nominal data

Type	R4E450-AB09-06	
Motor	M4E094-HA	
Phase		1~
Nominal voltage	VAC	230
Frequency	Hz	50
Method of obtaining data		ml
Valid for approval/standard		-
Speed (rpm)	min ⁻¹	1290
Power consumption	W	640
Current draw	A	3.1
Capacitor	µF	10
Capacitor voltage	VDB	400
Min. back pressure	Pa	0
Min. back pressure	inH ₂ O	0
Min. ambient temperature	°C	-40
Max. ambient temperature	°C	50
Starting current	A	6.2

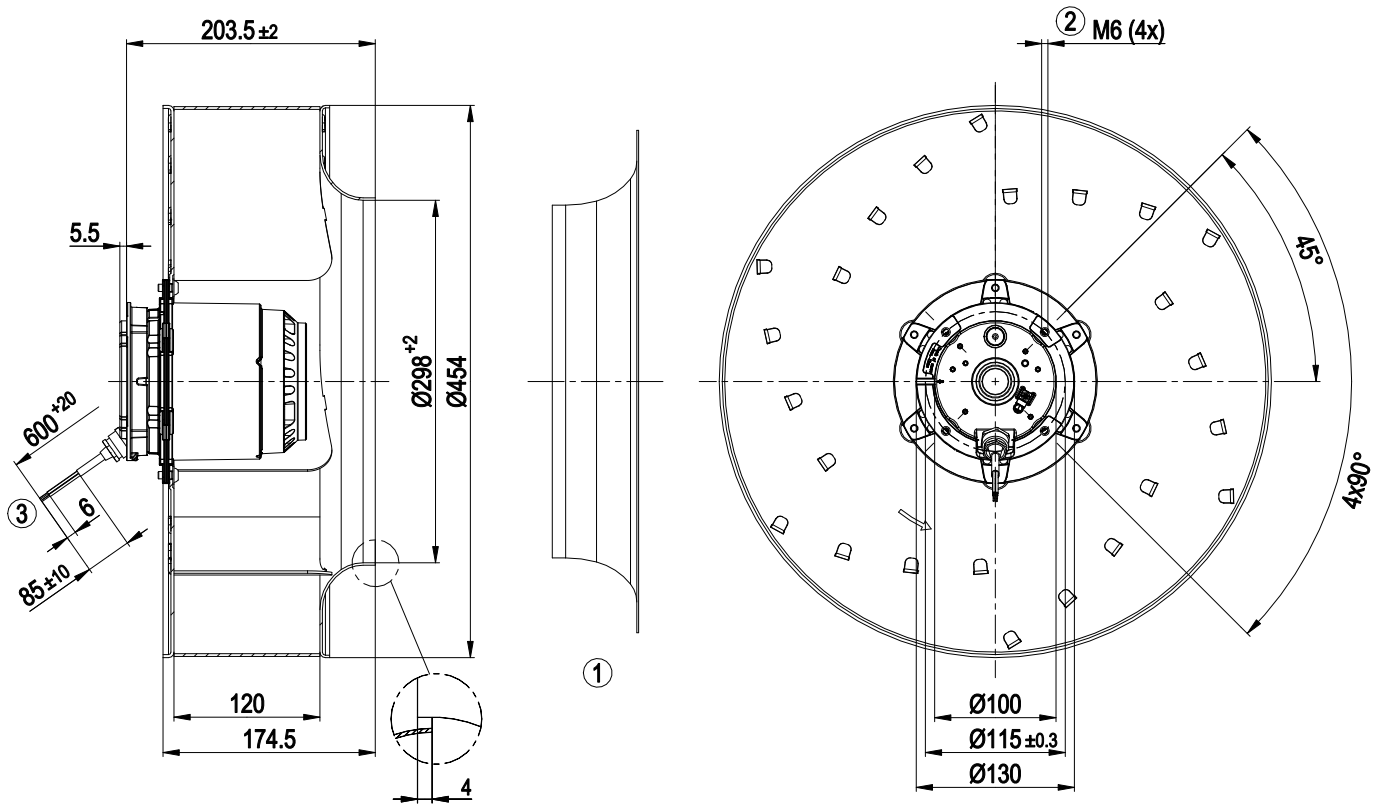
ml = Max. load · me = Max. efficiency · fa = Free air · cs = Customer specification · ce = Customer equipment
Subject to change



Technical description

Weight	9.5 kg
Fan size	450 mm
Rotor surface	Painted black
Impeller material	Sheet aluminum
Number of blades	6
Direction of rotation	Clockwise, viewed toward rotor
Degree of protection	IP54
Insulation class	"F"
Moisture (F) / Environmental (H) protection class	F4-1
Max. permitted ambient temp. for motor (transport/storage)	+80 °C
Min. permitted ambient temp. for motor (transport/storage)	-40 °C
Installation position	Any
Condensation drainage holes	None
Mode	S1
Motor bearing	Ball bearing
Touch current according to IEC 60990 (measuring circuit Fig. 4, TN system)	<= 3.5 mA
Motor protection	Thermal overload protector (TOP) with basic insulation
With cable	Variable
Protection class	I (with customer connection of protective earth)
Motor capacitor according to EN 60252-1 in safety protection class	S0
Conformity with standards	EN 60034-1 (2010)
Approval	CCC; EAC

Product drawing



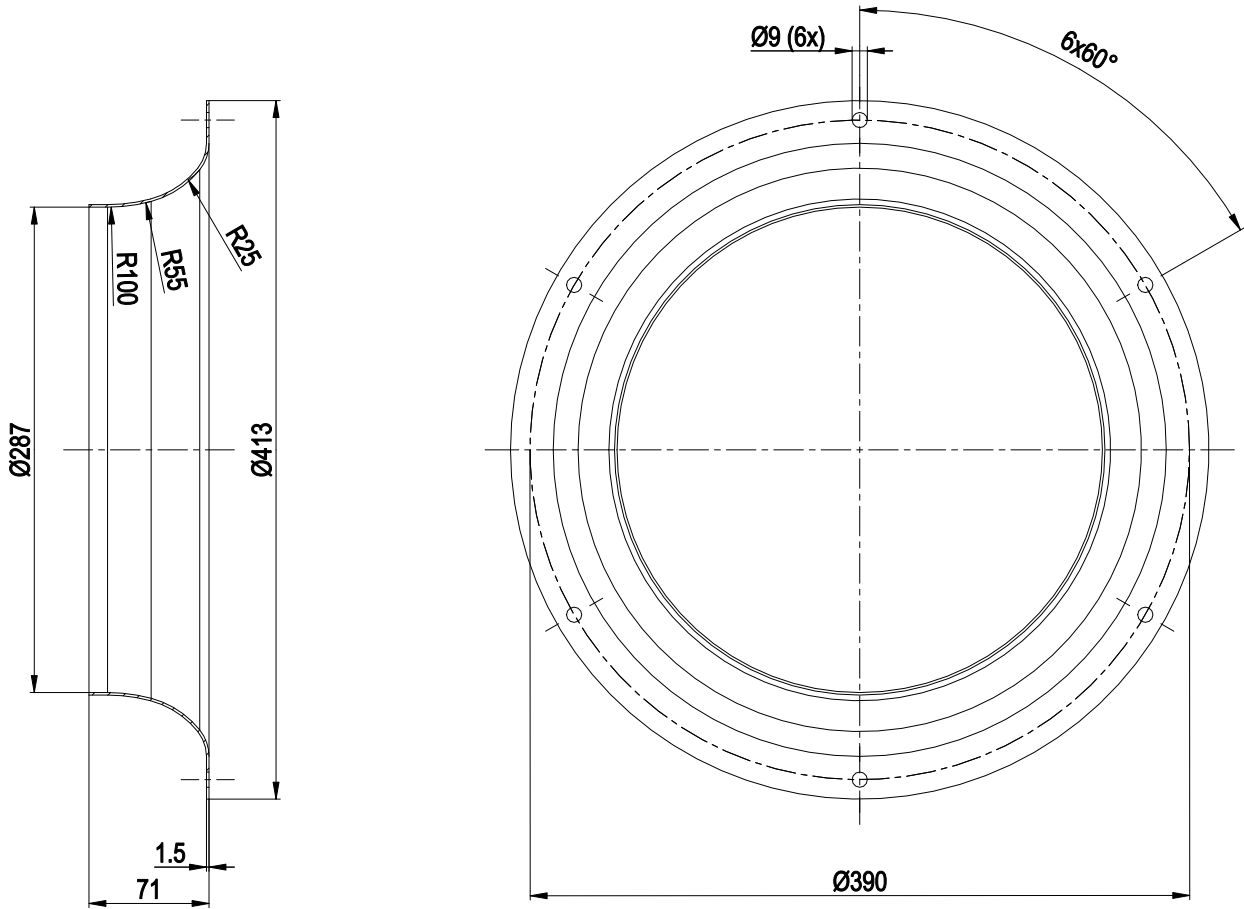
1	Accessory part: inlet ring 54478-2-4013 not included in scope of delivery
2	Max. clearance for screw 12 mm
3	Cable silicone 6G 0.5 mm ² , 6x crimped splices



AC centrifugal fan

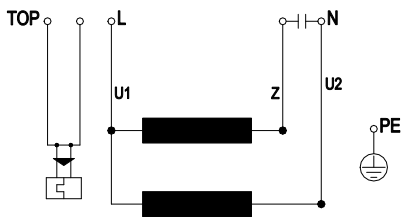
backward-curved, single-intake

Accessory part



Inlet ring 54478-2-4013 not included in scope of delivery

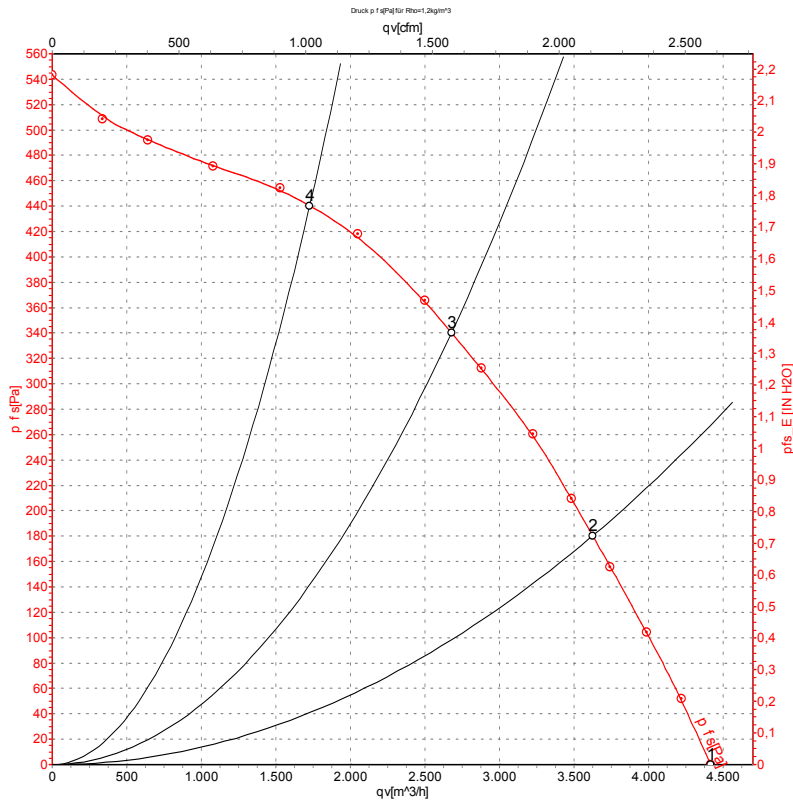
Connection diagram



TOP	2x gray	U1	blue	Z	brown
U2	black	PE	green/yellow		



Curves: Air performance 50 Hz



Measurement: LU-57699-1

Air performance measured according to ISO 5801 installation category A. For detailed information on the measurement setup, contact ebmpapst. Intake sound level: Sound power level according to ISO 13347 / sound pressure level measured at 1 m distance from fan axis. The values given are valid under the specified measuring conditions and may vary due to conditions of installation. For deviations from the standard configuration, the parameters have to be checked on the installed unit.

Measured values

	U	f	n	P _e	I	q _v	p _{fs}	q _v	p _{fs}
	V	Hz	min ⁻¹	W	A	m ³ /h	Pa	cfm	inH ₂ O
1	230	50	1385	445	2.27	4415	0	2600	0.00
2	230	50	1320	588	2.88	3625	180	2135	0.72
3	230	50	1290	640	3.10	2680	340	1575	1.36
4	230	50	1325	573	2.80	1725	440	1015	1.77

U = Power supply · f = Frequency · n = Speed (rpm) · P_e = Power consumption · I = Current draw · q_v = Air flow · p_{fs} = Pressure increase

