

R4E355-RM03-05 ebmpapst Datasheet

sales@fansco.com

www.fansco.com

Limited partnership · Headquarters Mulfingen

Amtsgericht (court of registration) Stuttgart · HRA 590344

General partner Elektrobau Mulfingen GmbH · Headquarters Mulfingen

Amtsgericht (court of registration) Stuttgart · HRB 590142

Nominal data

Type	R4E355-RM03-05		
Motor	M4E094-EA		
Phase		1~	1~
Nominal voltage	VAC	230	230
Nominal voltage range	VAC	220 .. 240	220 .. 240
Frequency	Hz	50	60
Method of obtaining data		ml	ml
Valid for approval/standard		CE	CE
Speed (rpm)	min ⁻¹	1370	1520
Power consumption	W	280	400
Current draw	A	1.23	1.77
Capacitor	µF	8	8
Capacitor voltage	VDB	400	400
Capacitor standard		S2 (CE)	S2 (CE)
Min. back pressure	Pa	0	0
Min. back pressure	inH ₂ O	0	0
Min. ambient temperature	°C	-40	-40
Max. ambient temperature	°C	65	65
Starting current	A	2.75	2.1

ml = Max. load · me = Max. efficiency · fa = Free air · cs = Customer specification · ce = Customer equipment
Subject to change

Data according to ErP Directive

		Actual	Req. 2015			
01 Overall efficiency η_{es}	%	45.5	45.5	09 Power consumption P_e	kW	0.27
02 Measurement category		A		09 Air flow q_v	m ³ /h	2005
03 Efficiency category		Static		09 Pressure increase p_{fs}	Pa	224
04 Efficiency grade N		62	62	10 Speed (rpm) n	min ⁻¹	1370
05 Variable speed drive		No		11 Specific ratio [*]		1.00

Data obtained at optimum efficiency level.

The ErP data is determined using a motor-impeller combination in a standardized measurement setup.

^{*} Specific ratio = $1 + p_{fs} / 100\,000\text{ Pa}$

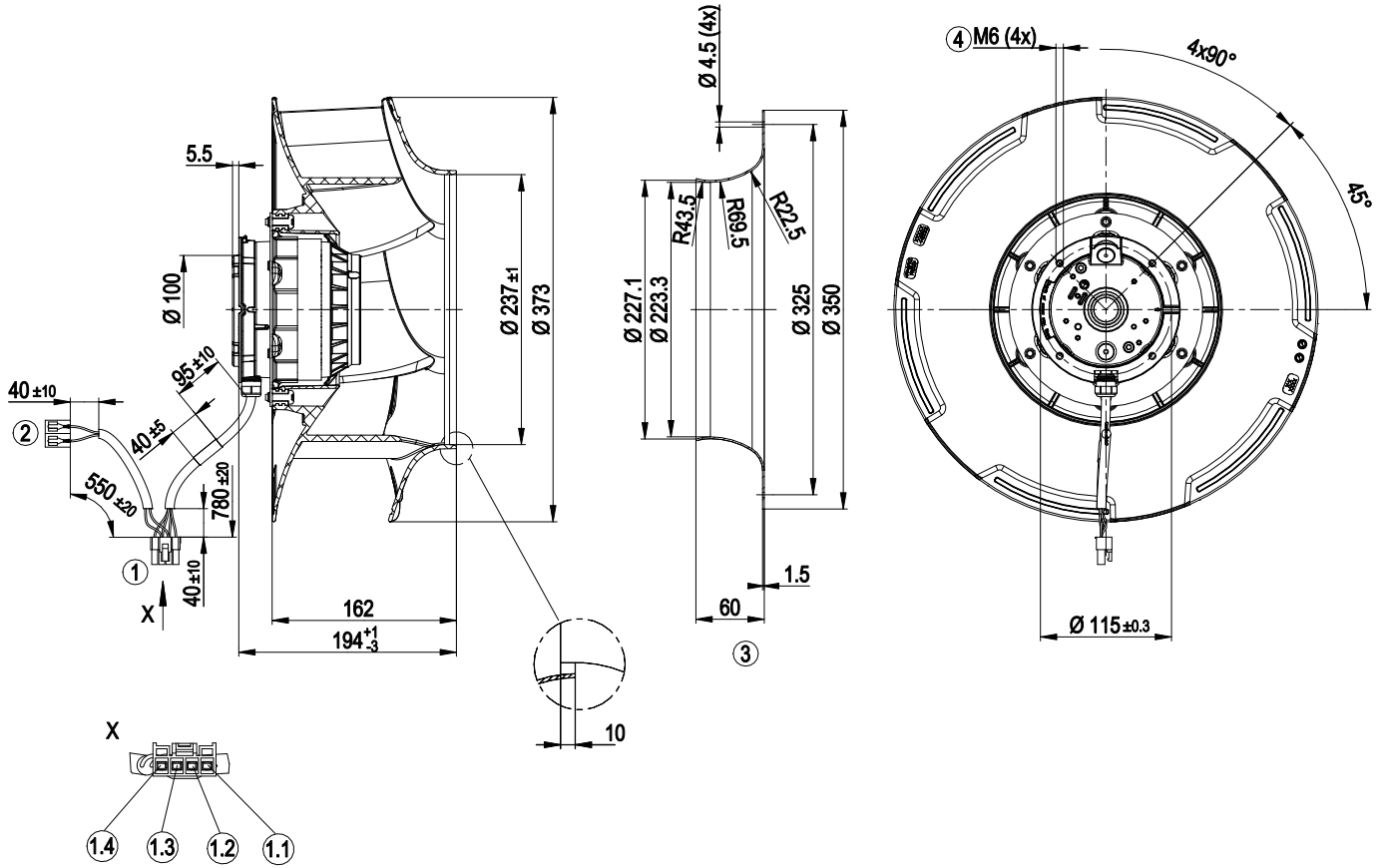
LU-144684



Technical description

Weight	6 kg
Fan size	355 mm
Rotor surface	Painted black
Impeller material	PP plastic
Number of blades	6
Direction of rotation	Clockwise, viewed toward rotor
Degree of protection	IP10
Insulation class	"F"
Moisture (F) / Environmental (H) protection class	F4-1
Max. permitted ambient temp. for motor (transport/storage)	+ 80 °C
Min. permitted ambient temp. for motor (transport/storage)	- 40 °C
Installation position	Any
Cooling hole/opening	On rotor side
Mode	S1
Motor bearing	Ball bearing
Touch current according to IEC 60990 (measuring circuit Fig. 4, TN system)	<= 3.5 mA
Electrical hookup	With plug
Motor protection	Thermal overload protector (TOP) internally connected
With cable	Lateral
Protection class	I (with customer connection of protective earth)
Motor capacitor according to EN 60252-1 in safety protection class	S2
Conformity with standards	CE
Approval	UL; CCC

Product drawing



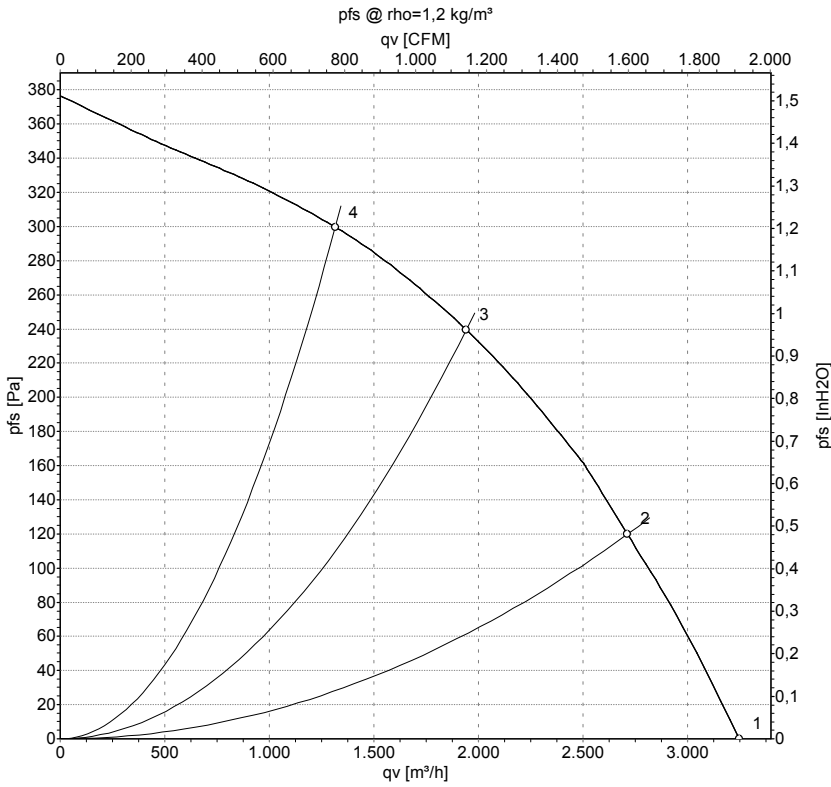
1	Cable PFA AWG20, connector housing JS VLP-04VN-1 and 4x socket JS SVF-61T-P2
1.1	L (blue)
1.2	N (black)
1.3	brown
1.4	PE (green/yellow)
2	Cable PFA AWG20, 2x flat push-on receptacle 6.3-0.8 with insulating sleeves
3	Accessory part: Inlet ring 35500-2-4013, not included in scope of delivery
4	Max. clearance for screw 10 mm

Connection diagram

Customer-specific connection



Curves: Air performance 50 Hz



Measurement: LU-144684-1

Air performance measured according to ISO 5801 installation category A. For detailed information on the measurement setup, contact ebm-papst. Intake sound level: Sound power level according to ISO 13347 / sound pressure level measured at 1 m distance from fan axis. The values given are valid under the specified measuring conditions and may vary due to conditions of installation. For deviations from the standard configuration, the parameters have to be checked on the installed unit.

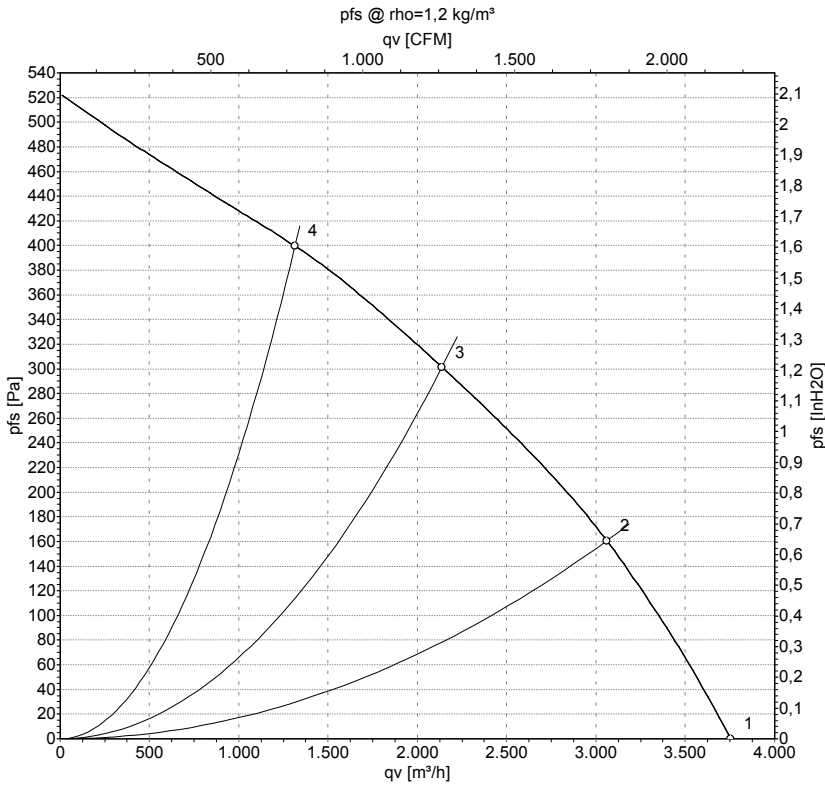
Measured values

	U	f	n	P _e	I	LpA _{in}	LwA _{in}	q _v	p _{fs}	q _v	p _{fs}
	V	Hz	min ⁻¹	W	A	dB(A)	dB(A)	m³/h	Pa	cfm	inH2O
1	230	50	1410	225	1.02	64	71	3245	0	1910	0.00
2	230	50	1390	254	1.13	59	66	2715	120	1595	0.48
3	230	50	1370	280	1.23	57	63	1940	240	1145	0.96
4	230	50	1380	264	1.17	58	65	1315	300	775	1.20

U = Power supply · f = Frequency · n = Speed (rpm) · P_e = Power consumption · I = Current draw · LpA_{in} = Sound pressure level intake side · LwA_{in} = Sound power level intake side
 q_v = Air flow · p_{fs} = Pressure increase



Curves: Air performance 60 Hz



Measurement: LU-144692-1

Air performance measured according to ISO 5801 installation category A. For detailed information on the measurement setup, contact ebmpapst. Intake sound level: Sound power level according to ISO 13347 / sound pressure level measured at 1 m distance from fan axis. The values given are valid under the specified measuring conditions and may vary due to conditions of installation. For deviations from the standard configuration, the parameters have to be checked on the installed unit.

Measured values

	U	f	n	P _e	I	LpA _{in}	LwA _{in}	q _v	p _{fs}	q _v	p _{fs}
	V	Hz	min ⁻¹	W	A	dB(A)	dB(A)	m ³ /h	Pa	cfm	inH2O
1	230	60	1635	331	1.48	67	75	3755	0	2210	0.00
2	230	60	1570	377	1.66	62	69	3060	160	1800	0.64
3	230	60	1520	400	1.77	59	66	2135	300	1260	1.20
4	230	60	1570	379	1.67	63	70	1315	400	775	1.61

U = Power supply · f = Frequency · n = Speed (rpm) · P_e = Power consumption · I = Current draw · LpA_{in} = Sound pressure level intake side · LwA_{in} = Sound power level intake side
 q_v = Air flow · p_{fs} = Pressure increase

