

R4E355-AN11-11

AC centrifugal fan

backward-curved, single-intake



R4E355-AN11-11 ebmpapst Datasheet

sales@fansco.com

www.fansco.com

Limited partnership · Headquarters Muldingen

Amtsgericht (court of registration) Stuttgart · HRA 590344

General partner Elektrobau Muldingen GmbH · Headquarters Muldingen

Amtsgericht (court of registration) Stuttgart · HRB 590142

Nominal data

Type	R4E355-AN11-11		
Motor	M4E094-FA		
Phase		1~	1~
Nominal voltage	VAC	230	230
Frequency	Hz	60	60
Valid for approval/standard		CE	UL
Speed (rpm)	min ⁻¹	1680	1680
Power consumption	W	390	410
Current draw	A	2	
Capacitor	µF	7	7
Capacitor voltage	VDB	400	400
Capacitor standard		S2 (CE)	
Min. back pressure	Pa	0	0
Min. back pressure	inH ₂ O	0	0
Min. ambient temperature	°C	-25	-25
Max. ambient temperature	°C	65	65

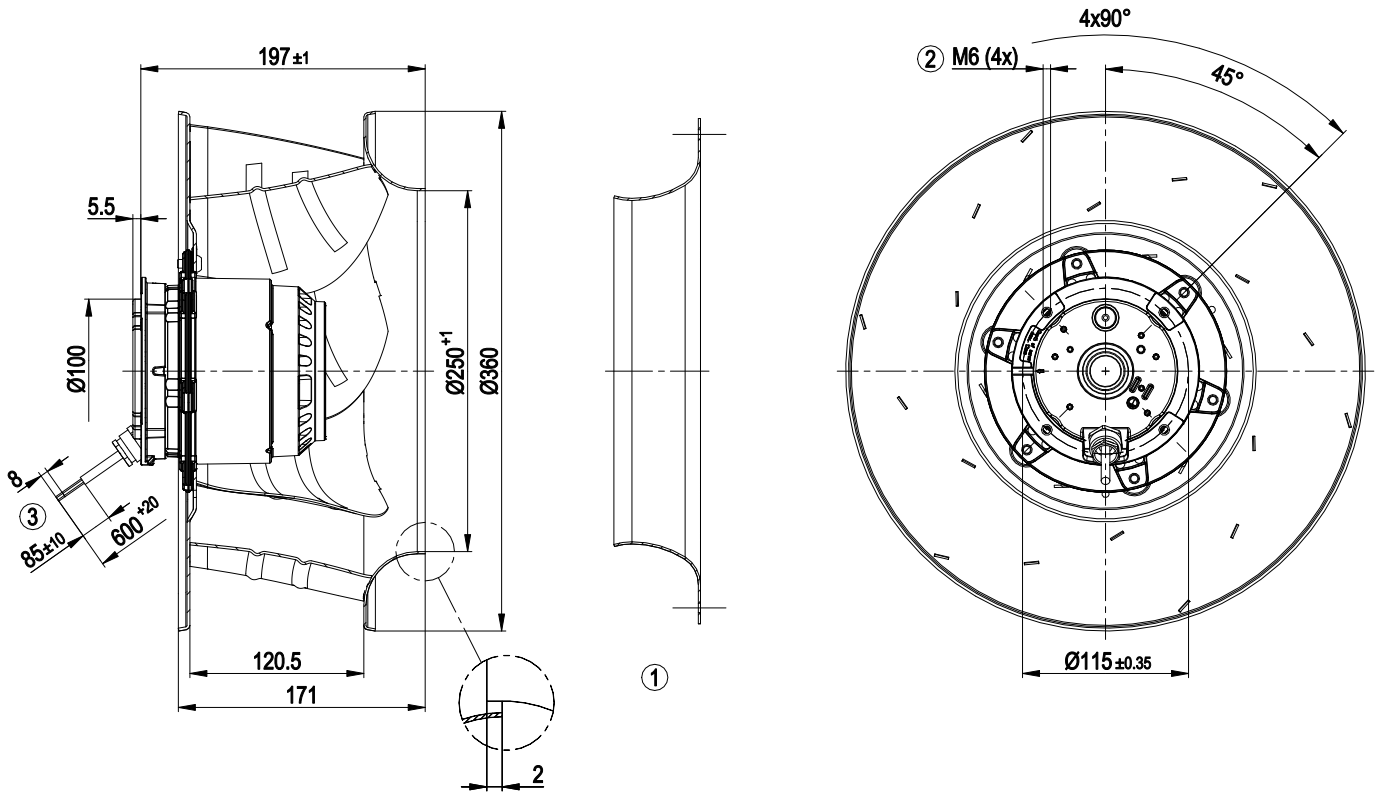
ml = Max. load · me = Max. efficiency · fa = Free air · cs = Customer specification · ce = Customer equipment
Subject to change



Technical description

Weight	7 kg
Fan size	355 mm
Rotor surface	Painted black
Impeller material	Sheet aluminum
Number of blades	5
Direction of rotation	Clockwise, viewed toward rotor
Degree of protection	IP54
Insulation class	"F"
Moisture (F) / Environmental (H) protection class	F4-1
Max. permitted ambient temp. for motor (transport/storage)	+ 80 °C
Min. permitted ambient temp. for motor (transport/storage)	- 40 °C
Installation position	Any
Condensation drainage holes	None
Mode	S1
Motor bearing	Ball bearing
Touch current according to IEC 60990 (measuring circuit Fig. 4, TN system)	<= 3.5 mA
Motor protection	Thermal overload protector (TOP) internally connected
With cable	Variable
Protection class	I (with customer connection of protective earth)
Motor capacitor according to EN 60252-1 in safety protection class	S0
Conformity with standards	EN 60034-1 (2010)
Approval	CSA C22.2 No. 100; UL 1004-1

Product drawing



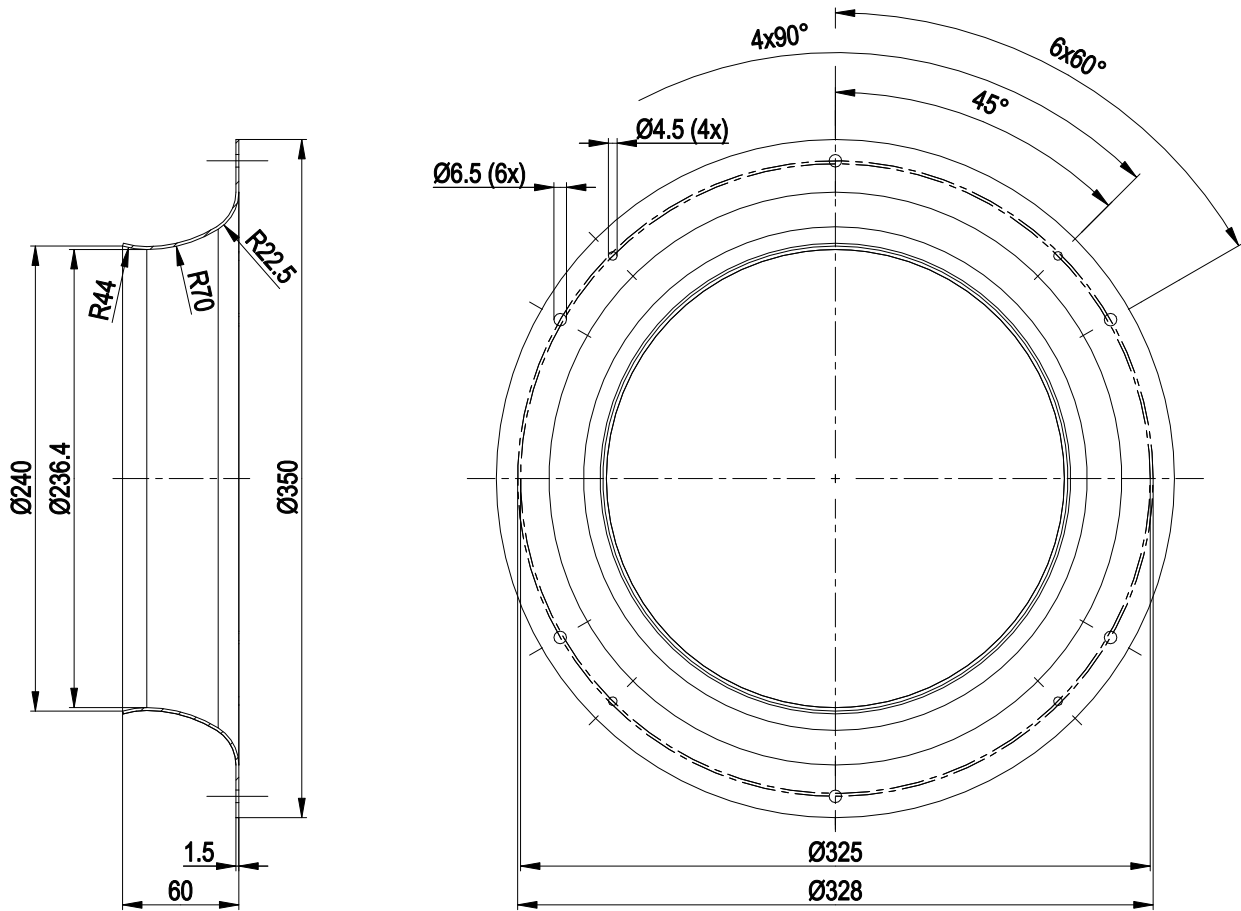
- | | |
|---|---|
| 1 | Accessory part: inlet ring 35560-2-4013 not included in scope of delivery |
| 2 | Max. clearance for screw 12 mm |
| 3 | Cable PFA AWG20, 4x crimped splices |



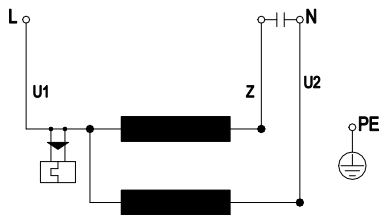
AC centrifugal fan

backward-curved, single-intake

Accessory part



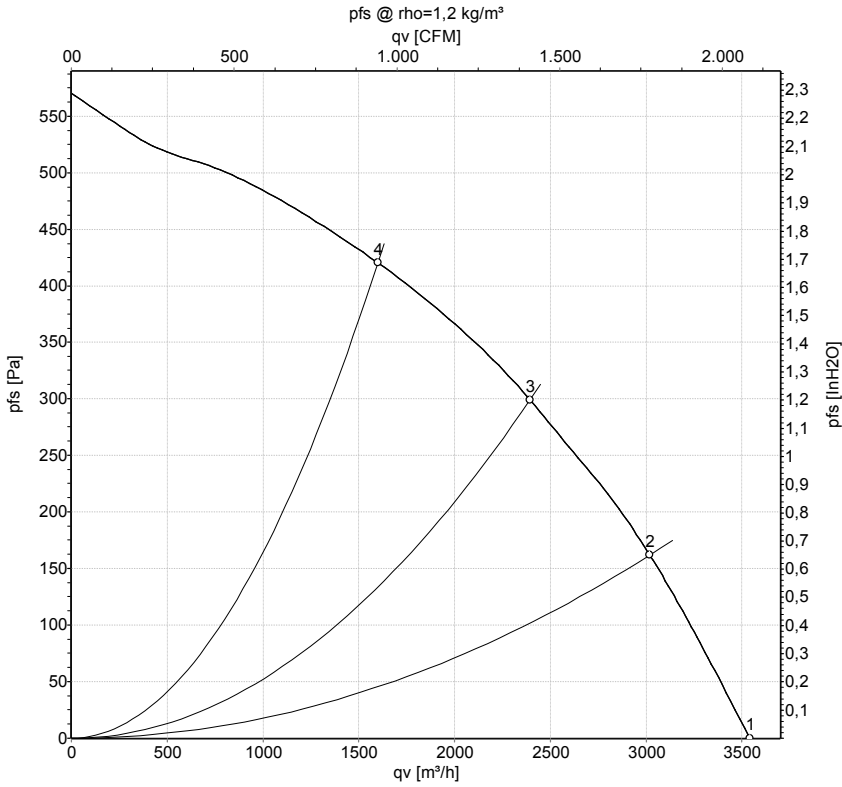
Connection diagram



U1	blue	Z	brown	U2	black
PE	green/yellow				



Curves: Air performance 60 Hz



Measurement: LU-57890-1

Air performance measured according to ISO 5801 installation category A. For detailed information on the measurement setup, contact ebm-papst. Intake sound level: Sound power level according to ISO 13347 / sound pressure level measured at 1 m distance from fan axis. The values given are valid under the specified measuring conditions and may vary due to conditions of installation. For deviations from the standard configuration, the parameters have to be checked on the installed unit.

Measured values

	U	f	n	P _e	I	q _v	p _{fs}	q _v	p _{fs}
	V	Hz	min ⁻¹	W	A	m³/h	Pa	cfm	inH2O
1	230	60	1680	390	2.00	3540	0	2085	0.00
2	230	60	1655	452	2.32	3020	160	1775	0.64
3	230	60	1640	482	2.44	2395	300	1410	1.20
4	230	60	1660	443	2.28	1600	420	940	1.69

U = Power supply · f = Frequency · n = Speed (rpm) · P_e = Power consumption · I = Current draw · q_v = Air flow · p_{fs} = Pressure increase

