

AC centrifugal fan

backward curved, single inlet



Nominal data

Motor	M4E074-EI		
Phase		1~	1~
Nominal voltage	[V]	230	230
Frequency	[Hz]	50	60
Type of data definition		rfa	rfa
Valid for approval / standard		CE	CE
Speed	[min ⁻¹]	1400	1600
Power input	[W]	180	260
Current draw	[A]	0,8	1.14
Motor capacitor	[μF]	6	6
Capacitor voltage	[VDB]	450	450
Min. back pressure	[Pa]	0	
Max. ambient temperature	[°C]	60	35
Air flow	[m ³ /h]	2580	2940
Back pressure	[Pa]	0	0
Sound pressure level	[dB(A)]	66	69

ml = max. load · me = max. efficiency · rfa = running at free air · cs = customer specs · cu = customer unit
Subject to alterations

AC centrifugal fan

backward curved, single inlet

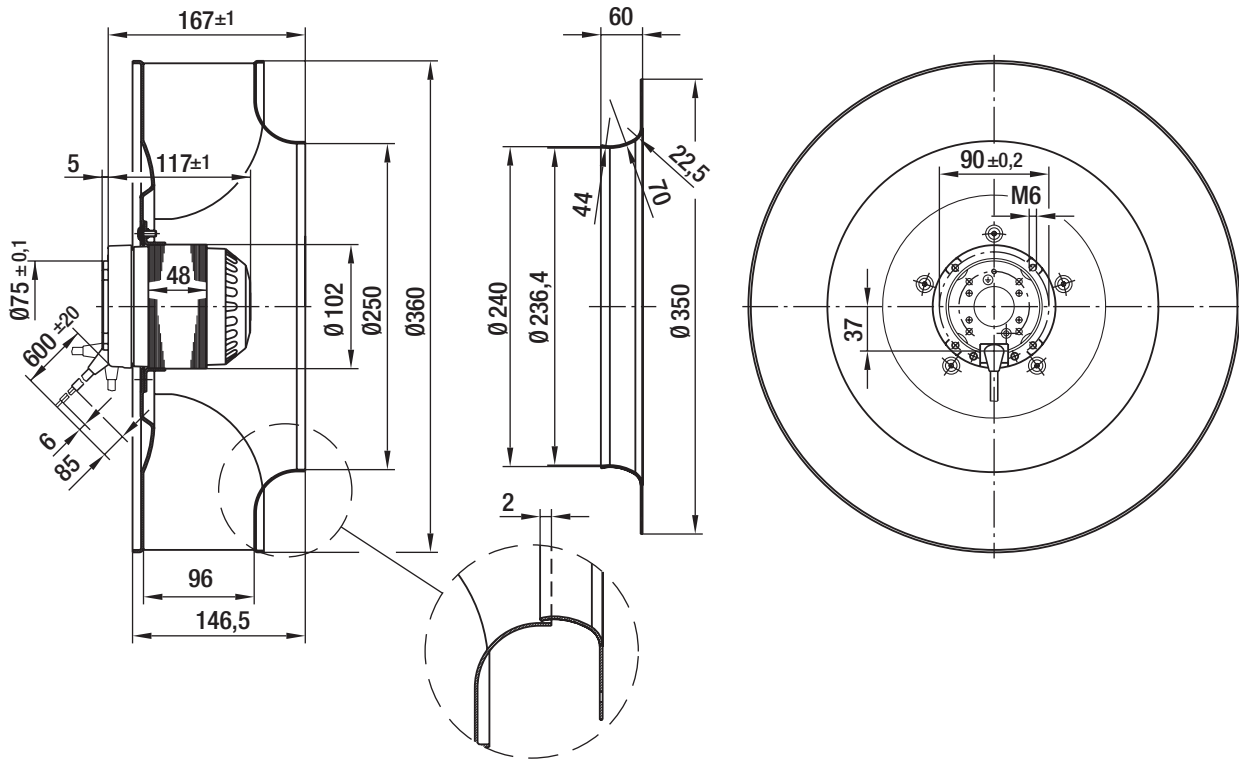
Technical features

Leakage current	< 0,75 mA
General description	3D impeller
Size	355 mm
Operation mode	Continuous operation (S1)
Direction of rotation	Clockwise, seen on rotor
Insulation class	"F"
Cable exit	Variable
Bearing motor	Ball bearing
Mass	4.7 kg
Material of electronics housing	Rotor: Coated in black
Material of impeller	Aluminum sheet, laser-welded
Motor protection	Thermal overload protector (TOP) wired internally
Product conforming to standard	CE
Number of blades	6
Type of protection	IP 44 - depending on position
Protection class	I
Approval	CCC

AC centrifugal fan

backward curved, single inlet

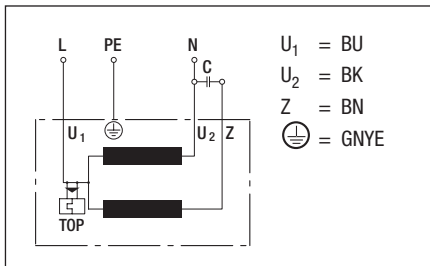
Product drawing



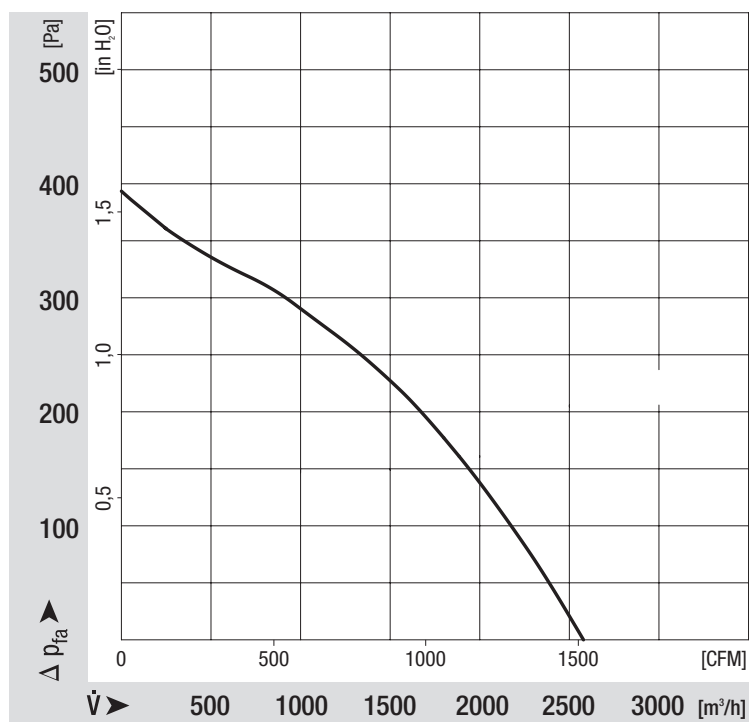
AC centrifugal fan

backward curved, single inlet

Connection screen



Charts: Air flow 50 Hz



Measured values

	n	P ₁	I
	[min ⁻¹]	[W]	[A]
1	1350	209	0.93
2	1330	229	1.02

AC centrifugal fan

backward curved, single inlet

Charts: Air flow 60 Hz

