

R4E310-AQ19-10

AC centrifugal fan

backward-curved, single-intake



R4E310-AQ19-10 ebmpapst Datasheet

sales@fansco.com

www.fansco.com

Limited partnership · Headquarters Muldingen

Amtsgericht (court of registration) Stuttgart · HRA 590344

General partner Elektrobau Muldingen GmbH · Headquarters Muldingen

Amtsgericht (court of registration) Stuttgart · HRB 590142

Nominal data

Type	R4E310-AQ19-10	
Motor	M4E074-EI	
Phase		1~
Nominal voltage	VAC	277
Frequency	Hz	60
Method of obtaining data		fa
Valid for approval/standard		UL
Speed (rpm)	min ⁻¹	1670
Power consumption	W	210
Current draw	A	0.77
Capacitor	µF	4
Capacitor voltage	VDB	500
Min. back pressure	Pa	0
Min. back pressure	inH ₂ O	0
Max. ambient temperature	°C	60

ml = Max. load · me = Max. efficiency · fa = Free air · cs = Customer specification · ce = Customer equipment

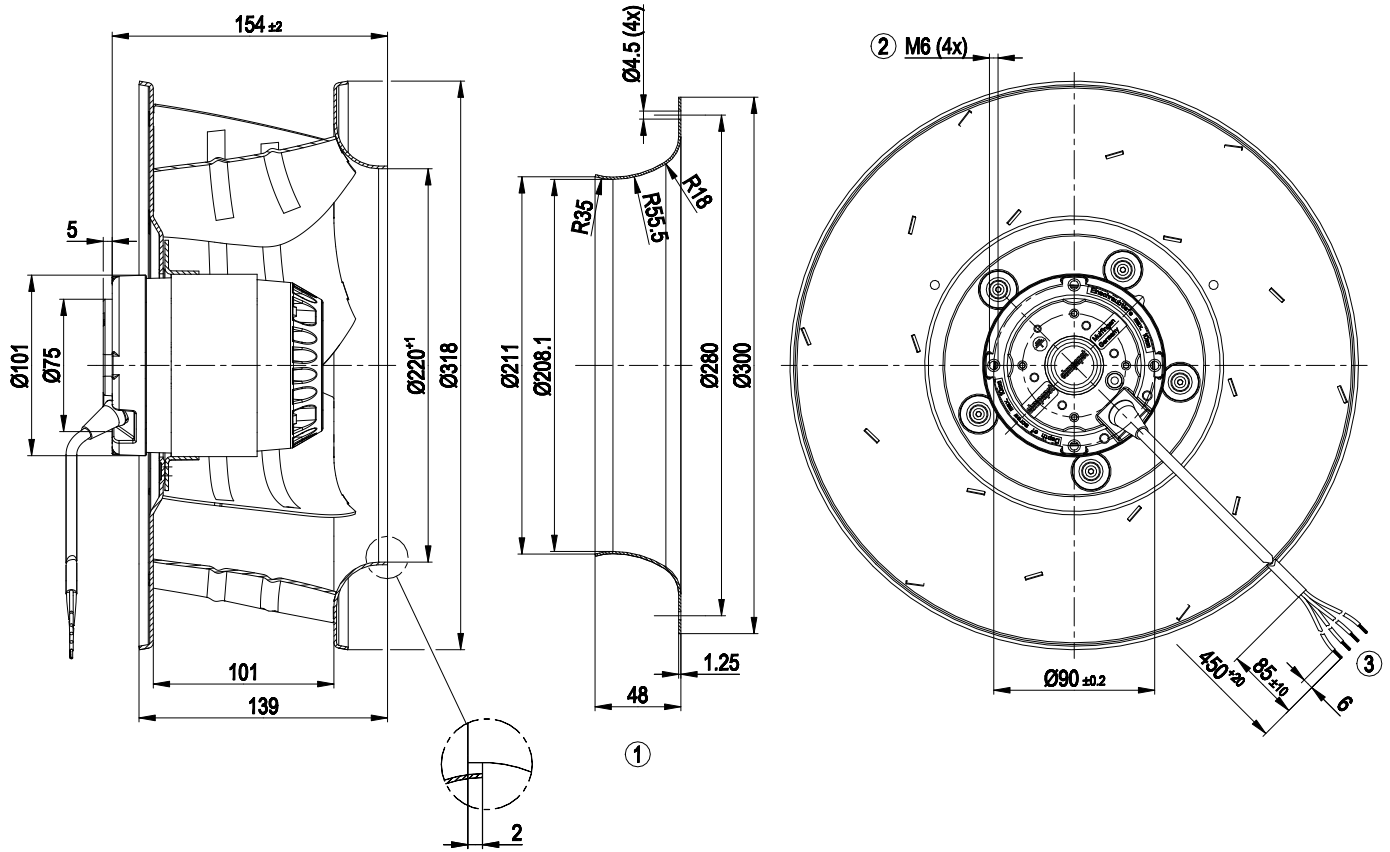
Subject to change



Technical description

Weight	4.5 kg
Fan size	310 mm
Rotor surface	Painted black
Impeller material	Sheet aluminum
Number of blades	6
Direction of rotation	Clockwise, viewed toward rotor
Degree of protection	IP44; installation- and position-dependent as per EN 60034-5
Insulation class	"F"
Moisture (F) / Environmental (H) protection class	H0+
Max. permitted ambient temp. for motor (transport/storage)	+ 80 °C
Min. permitted ambient temp. for motor (transport/storage)	- 40 °C
Installation position	Shaft horizontal or rotor on bottom; rotor on top on request
Condensation drainage holes	On rotor side
Mode	S1
Motor bearing	Ball bearing
Touch current according to IEC 60990 (measuring circuit Fig. 4, TN system)	< 0.75 mA
Motor protection	Thermal overload protector (TOP) internally connected
With cable	Variable
Protection class	I (with customer connection of protective earth)
Conformity with standards	EN 60335-1; CE
Approval	UL 1004-1; CSA C22.2 No. 100

Product drawing



- 1 Accessory part: inlet ring 31050-2-4013, not included in scope of delivery. Short nozzle 31051-2-4013 on request.
- 2 Max. clearance for screw 10 mm
- 3 Cable PFA AWG20, 4x crimped splices

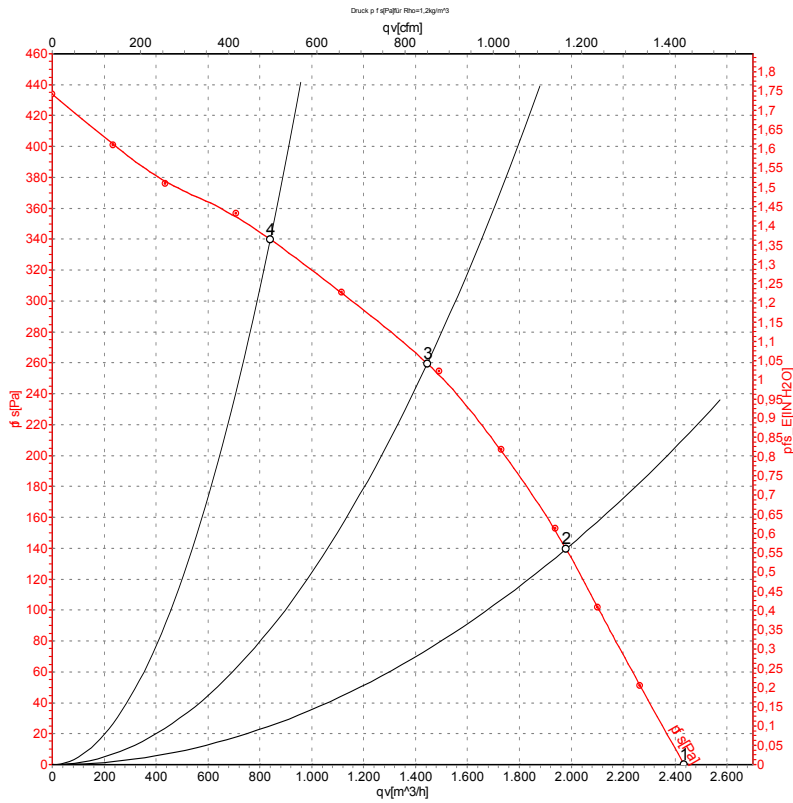
Connection diagram



U1	blue	Z	brown	U2	black
PE	green/yellow				



Curves: Air performance 60 Hz



Measurement: LU-58273-1

Air performance measured according to ISO 5801 installation category A. For detailed information on the measurement setup, contact ebmpapst. Intake sound level: Sound power level according to ISO 13347 / sound pressure level measured at 1 m distance from fan axis. The values given are valid under the specified measuring conditions and may vary due to conditions of installation. For deviations from the standard configuration, the parameters have to be checked on the installed unit.

Measured values

	U	f	n	P _e	I	qv	p _{fs}	qv	p _{fs}
	V	Hz	min ⁻¹	W	A	m ³ /h	Pa	CFM	inH2O
1	277	60	1670	210	0.77	2435	0	1435	0.00
2	277	60	1635	242	0.88	1980	140	1165	0.56
3	277	60	1610	257	0.93	1445	260	850	1.04
4	277	60	1645	234	0.85	840	340	495	1.36

U = Power supply · f = Frequency · n = Speed (rpm) · P_e = Power consumption · I = Current draw · qv = Air flow · p_{fs} = Pressure increase

