

R4E280-AD50-14 ebmpapst Datasheet

sales@fansco.com

www.fansco.com

Limited partnership · Headquarters Muldingen

Amtsgericht (court of registration) Stuttgart · HRA 590344

General partner Elektrobau Muldingen GmbH · Headquarters Muldingen

Amtsgericht (court of registration) Stuttgart · HRB 590142

Nominal data

Type	R4E280-AD50-14	
Motor	M4E068-DF	
Phase		1~
Nominal voltage	VAC	230
Frequency	Hz	50
Method of obtaining data		fa
Valid for approval/standard		CE
Speed (rpm)	min ⁻¹	1410
Power consumption	W	78
Current draw	A	0.35
Capacitor	µF	2.5
Capacitor voltage	VDB	400
Capacitor standard		S2 (CE)
Min. back pressure	Pa	0
Min. back pressure	inH2O	0
Min. ambient temperature	°C	-25
Max. ambient temperature	°C	40

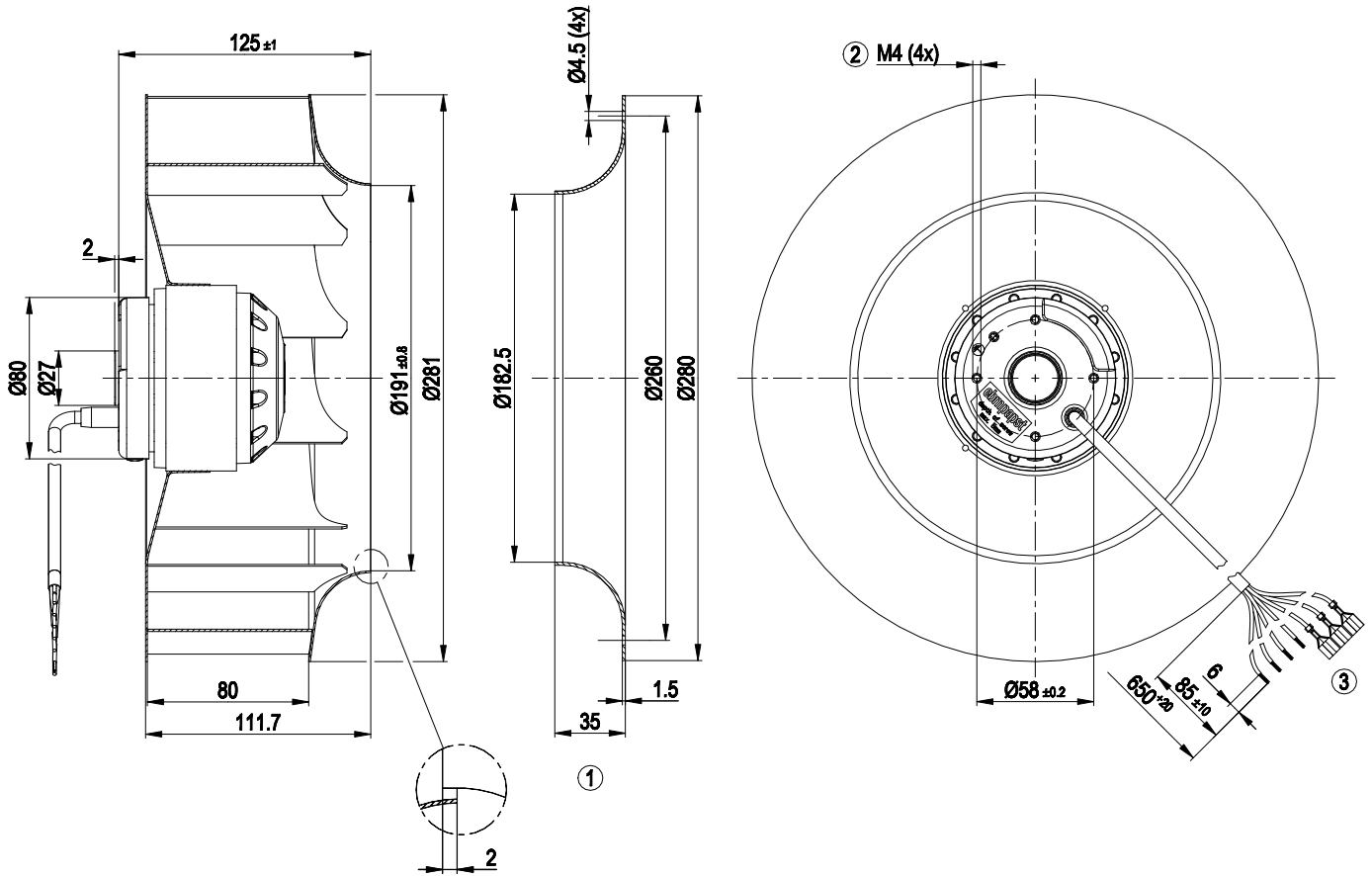
ml = Max. load · me = Max. efficiency · fa = Free air · cs = Customer specification · ce = Customer equipment
Subject to change



Technical description

Weight	2.8 kg
Fan size	280 mm
Rotor surface	Painted black
Impeller material	Sheet steel, painted black
Number of blades	11
Direction of rotation	Clockwise, viewed toward rotor
Degree of protection	IP44; installation- and position-dependent as per EN 60034-5
Insulation class	"F"
Moisture (F) / Environmental (H) protection class	H0+
Max. permitted ambient temp. for motor (transport/storage)	+ 80 °C
Min. permitted ambient temp. for motor (transport/storage)	- 40 °C
Installation position	Shaft horizontal or rotor on bottom; rotor on top on request
Condensation drainage holes	On rotor side
Mode	S1
Motor bearing	Ball bearing
Speed levels	3
Touch current according to IEC 60990 (measuring circuit Fig. 4, TN system)	< 0.75 mA
Motor protection	Thermal overload protector (TOP) internally connected
With cable	Axial
Protection class	I (with customer connection of protective earth)
Conformity with standards	EN 60335-1; CE

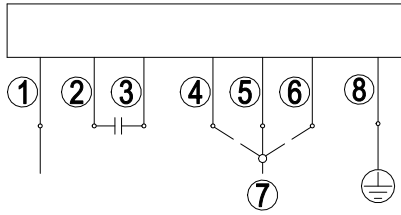
Product drawing



1	Accessory part: inlet ring 96360-2-4013 not included in scope of delivery
2	Max. clearance for screw 5 mm
3	Cable halogen-silicone-free 7G 0.5 mm², 4x splices and 3x flat push-on receptacle 6.3 x 0.8 mm (green/yellow, brown, yellow) crimped



Connection diagram

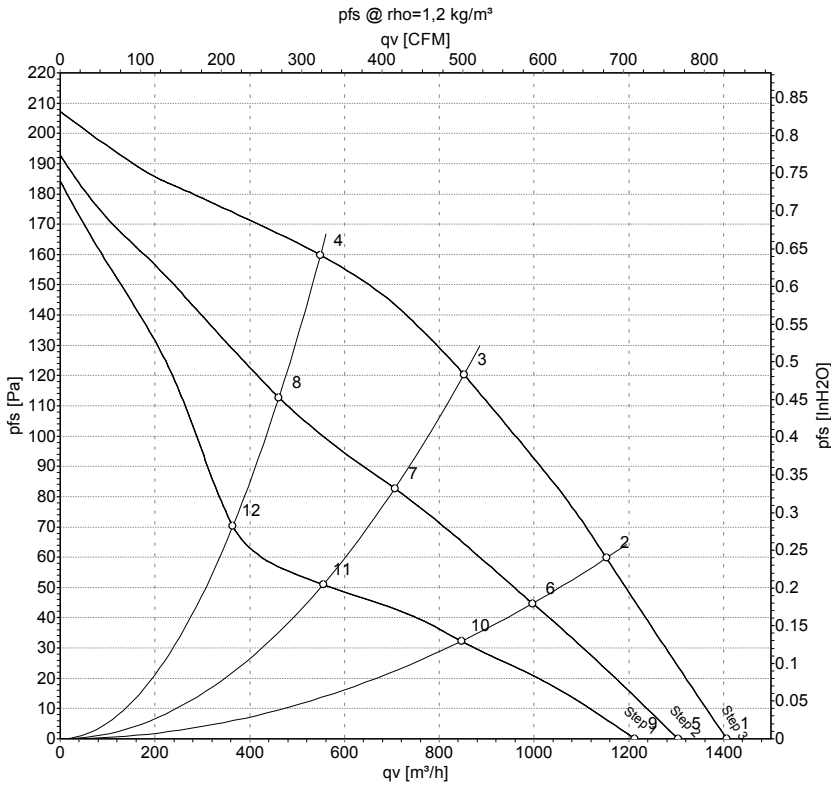


Note: High speed (step III); low speed (step I)

1	blue (N)	2	brown	3	yellow
4	Step 1 (white)	5	Step 2 (gray)	6	Step 3 (black)
7	L1	8	PE (green/yellow)		



Curves: Air performance 50 Hz



Measurement: LU-30707-1
 Measurement: LU-30708-1
 Measurement: LU-30709-1

Air performance measured according to ISO 5801 installation category A. For detailed information on the measurement setup, contact ebmpapst. Intake sound level: Sound power level according to ISO 13347 / sound pressure level measured at 1 m distance from fan axis. The values given are valid under the specified measuring conditions and may vary due to conditions of installation. For deviations from the standard configuration, the parameters have to be checked on the installed unit.

Measured values

	Stage	U	f	n	P _e	I	q _v	P _{fs}	q _v	P _{fs}
		V	Hz	min ⁻¹	W	A	m ³ /h	Pa	cfm	inH2O
1	3	230	50	1410	78	0.35	1405	0	830	0.00
2	3	230	50	1380	86	0.39	1155	60	680	0.24
3	3	230	50	1360	92	0.41	850	120	500	0.48
4	3	230	50	1365	89	0.40	550	160	325	0.64
5	2	230	50	1310	68	0.29	1305	0	770	0.00
6	2	230	50	1195	82	0.35	995	45	585	0.18
7	2	230	50	1135	88	0.38	705	83	415	0.33
8	2	230	50	1140	86	0.37	460	113	270	0.45
9	1	230	50	1230	67	0.29	1210	0	715	0.00
10	1	230	50	1015	82	0.35	845	32	500	0.13
11	1	230	50	880	87	0.38	555	51	325	0.20
12	1	230	50	900	86	0.37	365	70	215	0.28

U = Power supply · f = Frequency · n = Speed (rpm) · P_e = Power consumption · I = Current draw · q_v = Air flow · p_{fs} = Pressure increase

