

R4E250-AL01-05 ebmpapst Datasheet

sales@fansco.com

www.fansco.com

## Nominal data

<b>Type</b>	<b>R4E250-AL01-05</b>		
<b>Motor</b>	<b>M4E068-CF</b>		
Phase		1~	1~
Nominal voltage	VAC	230	230
Frequency	Hz	50	60
Method of obtaining data		fa	fa
Valid for approval/standard		CE	CE
Speed (rpm)	min <sup>-1</sup>	1420	1640
Power consumption	W	40	40
Current draw	A	0.18	0.18
Capacitor	µF	1.5	1.0
Capacitor voltage	VDB	450	450
Capacitor standard		S0 (CE)	S0 (CE)
Min. back pressure	Pa	0	0
Min. back pressure	in. wg	0	0
Min. ambient temperature	°C	-25	-25
Max. ambient temperature	°C	65	70
Starting current	A	0.45	0.4

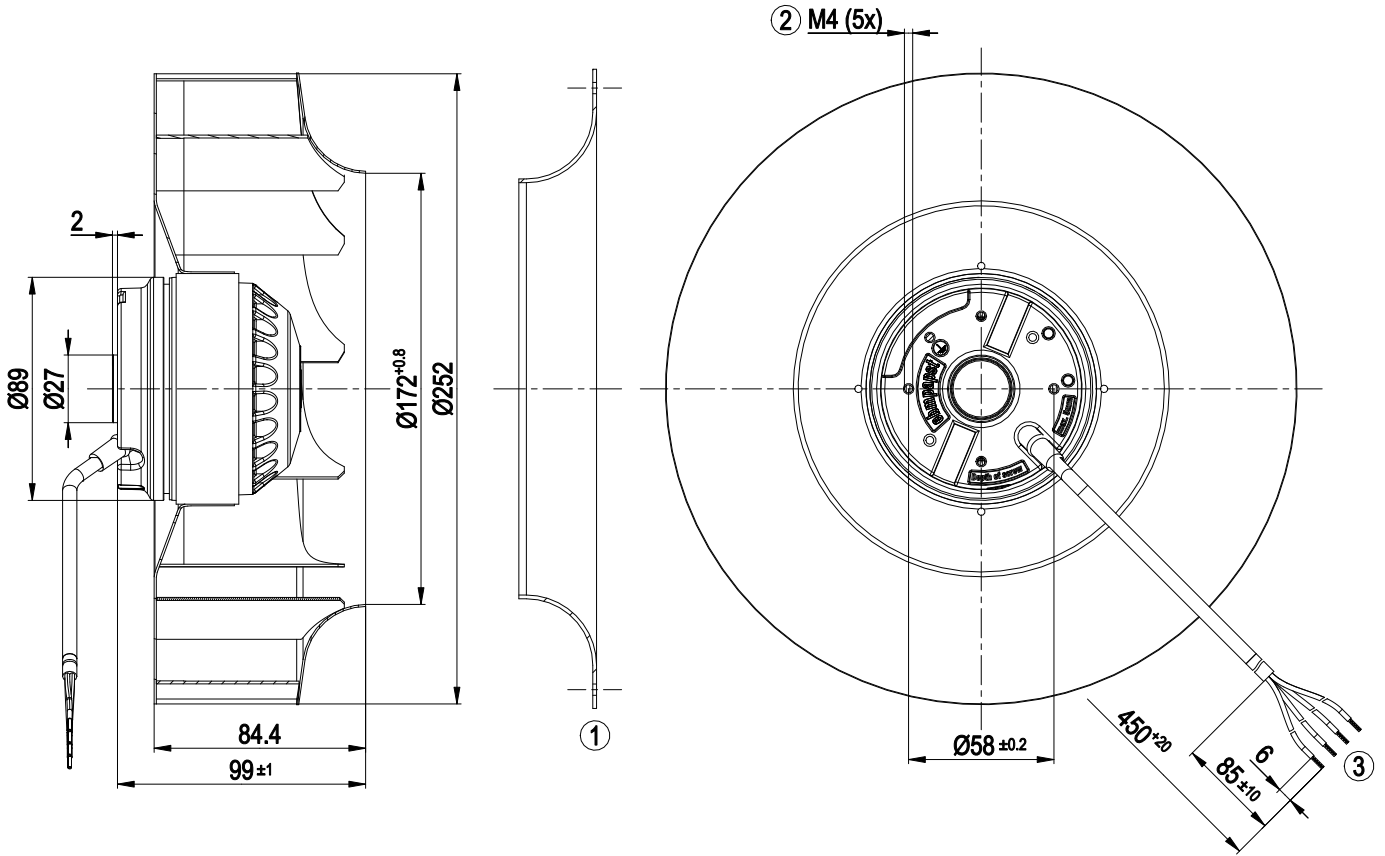
ml = Max. load · me = Max. efficiency · fa = Free air · cs = Customer specification · ce = Customer equipment  
 Subject to change



### Technical description

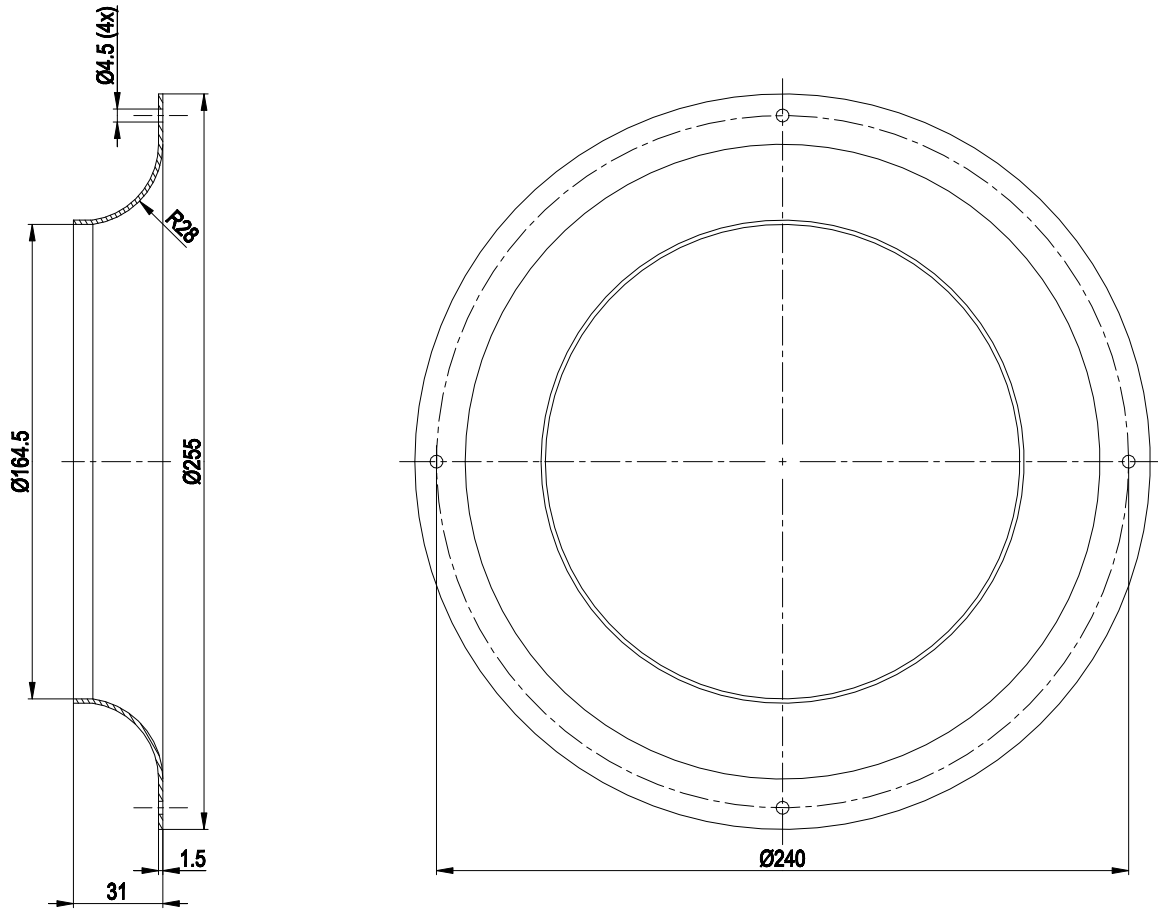
Weight	2.4 kg
Size	250 mm
Motor size	68
Rotor surface	Painted black
Impeller material	Sheet steel, painted black
Number of blades	11
Direction of rotation	Clockwise, viewed toward rotor
Degree of protection	IP44; installation- and position-dependent as per EN 60034-5
Insulation class	"B"
Moisture (F) / Environmental (H) protection class	H1
Max. permitted ambient temp. for motor (transport/storage)	+ 80 °C
Min. permitted ambient temp. for motor (transport/storage)	- 40 °C
Installation position	Shaft horizontal or rotor on bottom; rotor on top on request
Condensation drainage holes	On rotor side
Mode	S1
Motor bearing	Ball bearing
Touch current according to IEC 60990 (measuring circuit Fig. 4, TN system)	< 0.75 mA
Motor protection	Thermal overload protector (TOP) internally connected
With cable	Variable
Protection class	I (with customer connection of protective earth)
Conformity with standards	EN 60335-1; CE
Approval	CCC; EAC

Product drawing



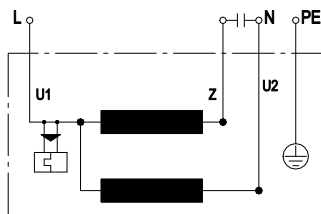
1	Accessory part: inlet ring 96359-2-4013 not included in scope of delivery
2	Max. clearance for screw 5 mm
3	Cable PVC 4G 0.5 mm <sup>2</sup>
	4x splice

## Accessory part



Accessory part: inlet ring 96359-2-4013 not included in scope of delivery

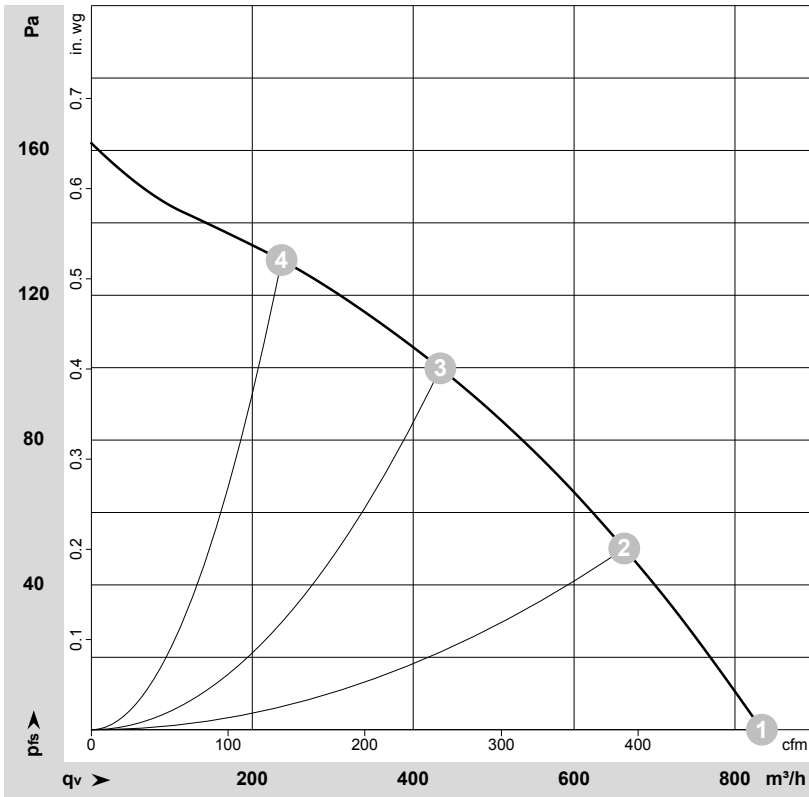
## Connection diagram



U1	blue	Z	brown	U2	black
PE	green/yellow				



## Curves: Air performance 50 Hz



$\rho = 1.15 \text{ kg/m}^3 \pm 2 \%$

Measurement: LU-18185-1

Air performance measured according to ISO 5801 installation category A. For detailed information on the measurement setup, contact ebmpapst. Intake sound level: Sound power level according to ISO 13347 / sound pressure level measured at 1 m distance from fan axis. The values given are valid under the specified measuring conditions and may vary due to conditions of installation. For deviations from the standard configuration, the parameters have to be checked on the installed unit.

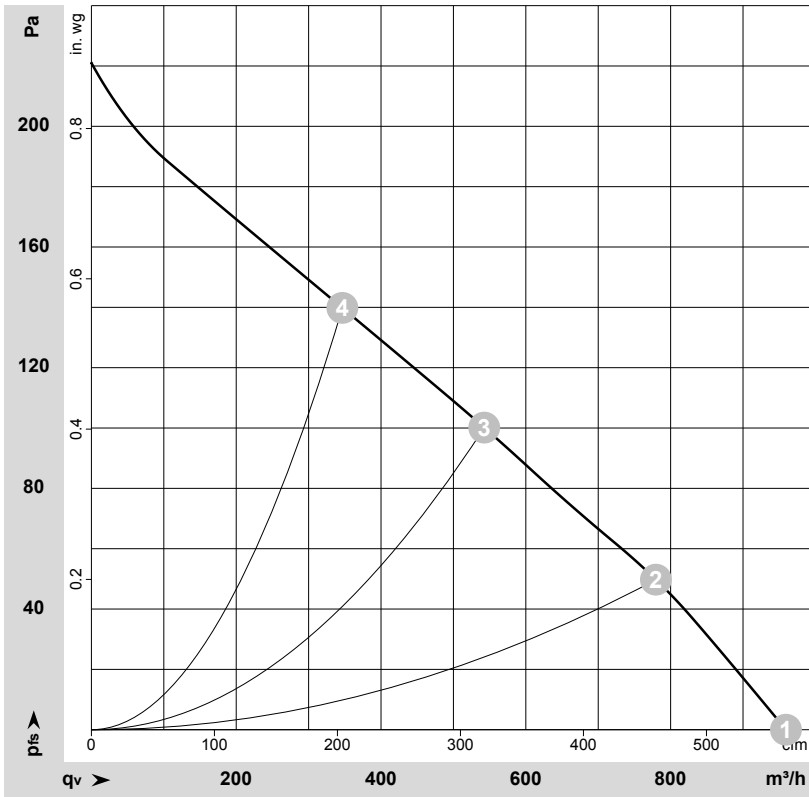
## Measured values

	Wired	U	f	n	P <sub>e</sub>	I	q <sub>v</sub>	P <sub>fs</sub>	q <sub>v</sub>	P <sub>fs</sub>
		V	Hz	min <sup>-1</sup>	W	A	m <sup>3</sup> /h	Pa	cfm	in. wg
1	1~	230	50	1420	40	0.18	835	0	490	0.00
2	1~	230	50	1365	47	0.22	660	50	390	0.20
3	1~	230	50	1350	49	0.22	435	100	255	0.40
4	1~	230	50	1370	47	0.21	235	130	140	0.52

Wired = Wiring · U = Voltage · f = Frequency · n = Speed (rpm) · P<sub>e</sub> = Power consumption · I = Current draw · q<sub>v</sub> = Air flow · P<sub>fs</sub> = Pressure increase



## Curves: Air performance 60 Hz



$\rho = 1.15 \text{ kg/m}^3 \pm 2 \%$

Measurement: LU-18186-1

Air performance measured according to ISO 5801 installation category A. For detailed information on the measurement setup, contact ebmpapst. Intake sound level: Sound power level according to ISO 13347 / sound pressure level measured at 1 m distance from fan axis. The values given are valid under the specified measuring conditions and may vary due to conditions of installation. For deviations from the standard configuration, the parameters have to be checked on the installed unit.

## Measured values

	Wired	U	f	n	$P_e$	I	$q_v$	$p_{fs}$	$q_v$	$p_{fs}$
		V	Hz	min <sup>-1</sup>	W	A	m <sup>3</sup> /h	Pa	cfm	in. wg
1	1~	230	60	1640	40	0.18	960	0	565	0.00
2	1~	230	60	1520	50	0.23	780	50	460	0.20
3	1~	230	60	1450	55	0.25	545	100	320	0.40
4	1~	230	60	1470	54	0.24	345	140	205	0.56

Wired = Wiring · U = Voltage · f = Frequency · n = Speed (rpm) ·  $P_e$  = Power consumption · I = Current draw ·  $q_v$  = Air flow ·  $p_{fs}$  = Pressure increase

