



R4E225-AT01-05 ebmpapst Datasheet FansCo  
 sales@fansco.com  
 www.fansco.com

### Nominal data

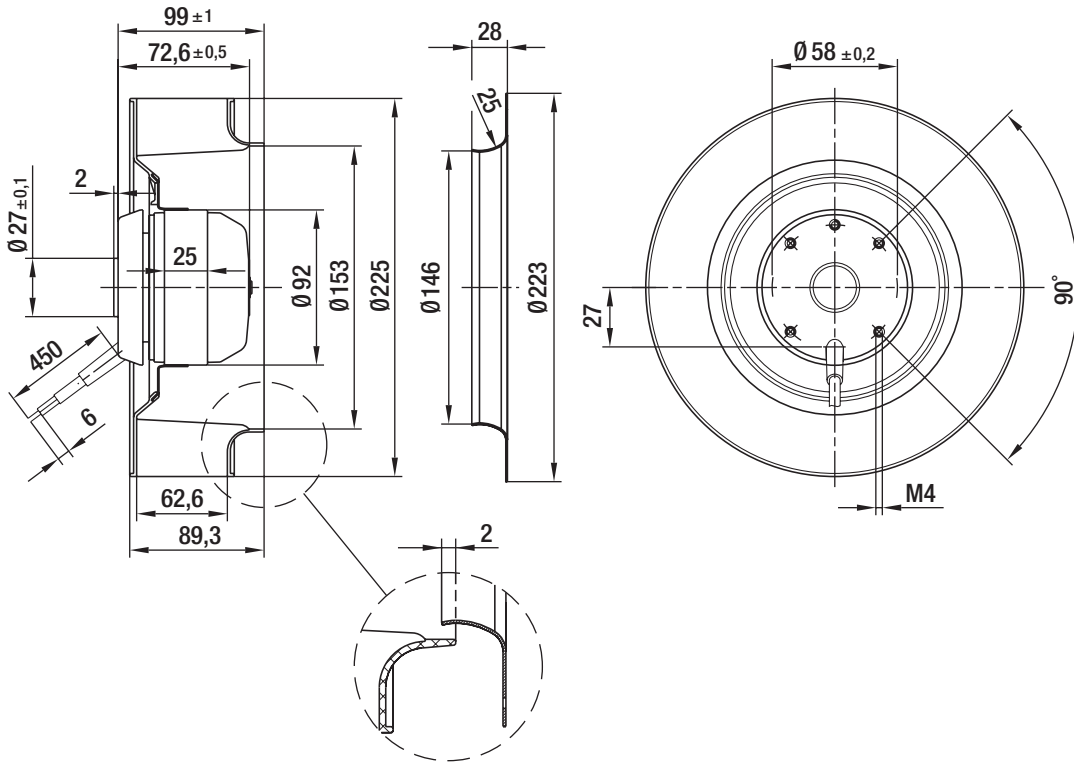
Type	R4E225-AT01-05		
Motor	M4E068-CF		
Phase		1~	1~
Nominal voltage	[V]	230	230
Frequency	[Hz]	50	60
Type of data definition		rfa	rfa
Valid for approval / standard		CE	CE
Speed	[min <sup>-1</sup> ]	1420	1660
Power input	[W]	40	37
Current draw	[A]	0.20	0.18
Motor capacitor	[μF]	1.5	1.0
Capacitor voltage	[VDB]	400	400
Min. back pressure	[Pa]	0	0
Max. ambient temperature	[°C]	50	55
Air flow	[m <sup>3</sup> /h]	655	765
Back pressure	[Pa]	0	0
Sound pressure level	[dB(A)]	59	61

ml = max. load · me = max. efficiency · rfa = running at free air · cs = customer specs · cu = customer unit  
 Subject to alterations

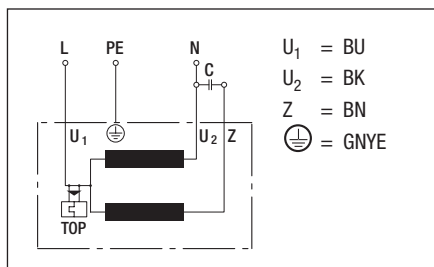
## Technical features

Leakage current	< 0,75 mA
Size	225 mm
Operation mode	S1
Direction of rotation	Clockwise, seen on rotor
Mounting position	Shaft horizontal or rotor on bottom; rotor on top on request
Insulation class	"B"
Cable exit	Variable
Condensate discharge holes	Rotor-side
Bearing motor	Ball bearing
Mass	1.8 kg
Material of impeller	PA plastic 6, fibreglass-reinforced
Motor protection	Thermal overload protector (TOP) wired internally
Product conforming to standard	CE; EN 60335-1
Surface of rotor	Coated in black
Number of blades	7
Type of protection	IP 44 - depending on position
Protection class	I
Max. permissible ambient motor temp. (transp./ storage)	+ 80 °C
Min. permissible ambient motor temp. (transp./storage)	- 40 °C
Approval	CCC

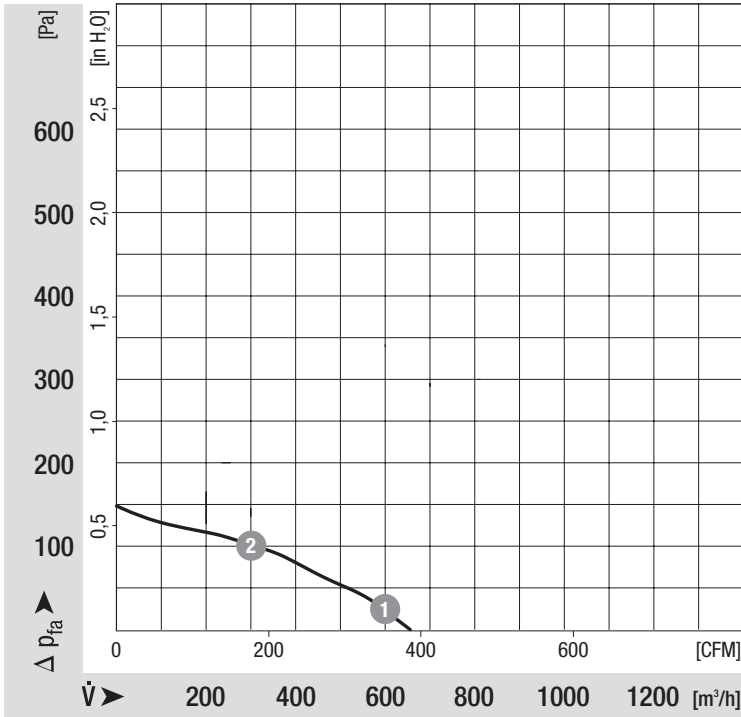
## Product drawing



## Connection screen



## Charts: Air flow 50 Hz



## Measured values

	n	P <sub>1</sub>	I
	[min <sup>-1</sup> ]	[W]	[A]
1	1410	41	0.2
2	1400	43	0.21

## Charts: Air flow 60 Hz

