

R4E200-AD03-09 ebmpapst Datasheet

sales@fansco.com

www.fansco.com

Limited partnership · Headquarters Mulfingen

Amtsgericht (court of registration) Stuttgart · HRA 590344

General partner Elektrobau Mulfingen GmbH · Headquarters Mulfingen

Amtsgericht (court of registration) Stuttgart · HRB 590142

Nominal data

Type	R4E200-AD03-09	
Motor	M4E068-GA	
Phase		1~
Nominal voltage	VAC	230
Frequency	Hz	50
Method of obtaining data		ml
Valid for approval/standard		-
Speed (rpm)	min ⁻¹	1150
Power consumption	W	225
Current draw	A	1.0
Capacitor	µF	6
Capacitor voltage	VDB	400
Capacitor standard		S0 (CE)
Min. ambient temperature	°C	-25
Max. ambient temperature	°C	50

ml = Max. load · me = Max. efficiency · fa = Free air · cs = Customer specification · ce = Customer equipment

Subject to change



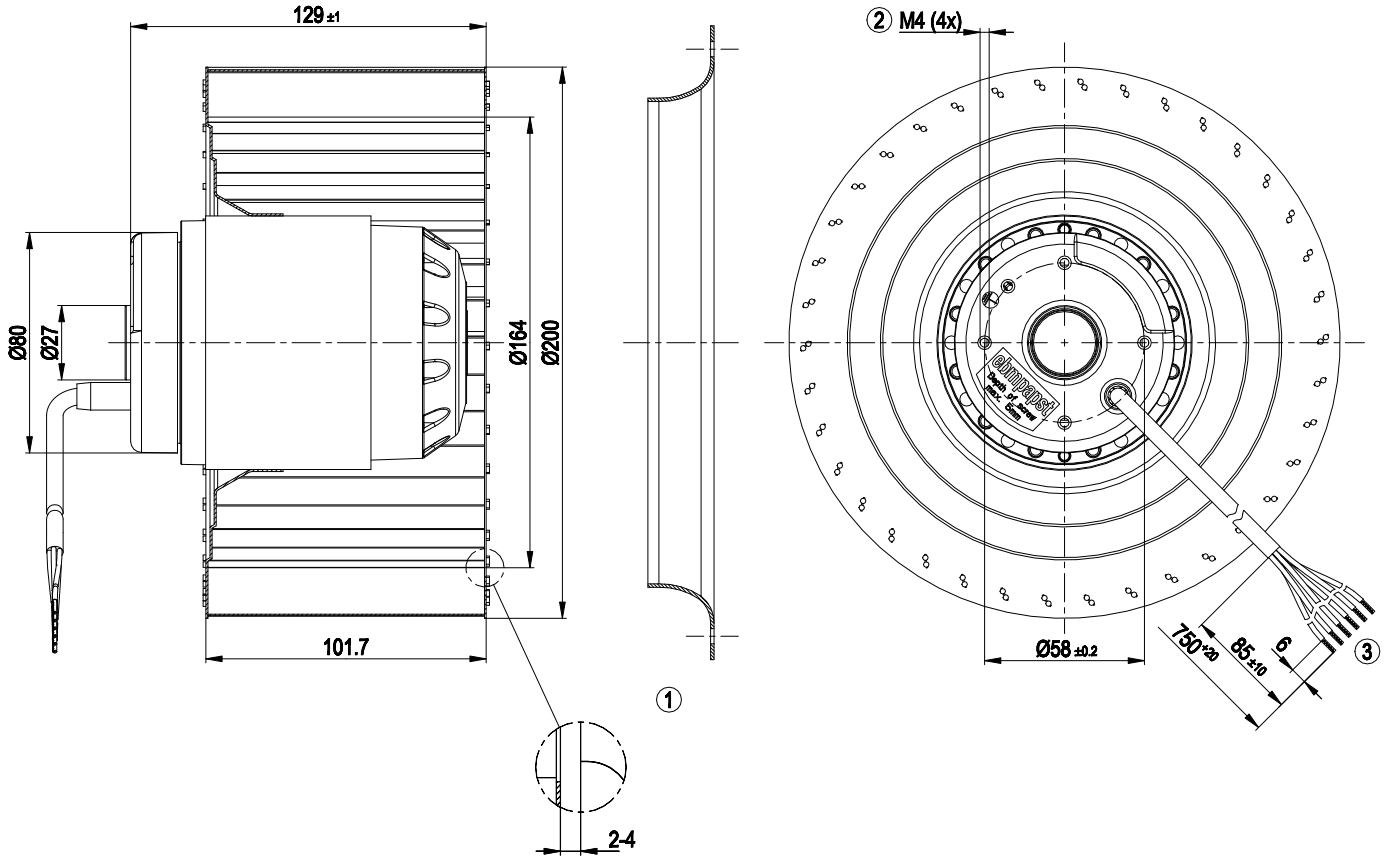
Technical description

Weight	3.7 kg
Fan size	200 mm
Rotor surface	Painted black
Impeller material	Sheet steel, painted black
Direction of rotation	Clockwise, viewed toward rotor
Degree of protection	IP44; installation- and position-dependent as per EN 60034-5
Insulation class	"F"
Moisture (F) / Environmental (H) protection class	H0+
Max. permitted ambient temp. for motor (transport/storage)	+ 80 °C
Min. permitted ambient temp. for motor (transport/storage)	- 40 °C
Installation position	Shaft horizontal or rotor on bottom; rotor on top on request
Condensation drainage holes	On rotor side
Mode	S1
Motor bearing	Ball bearing
Touch current according to IEC 60990 (measuring circuit Fig. 4, TN system)	< 0.75 mA
Motor protection	Thermal overload protector (TOP) with basic insulation
With cable	Axial
Protection class	I (with customer connection of protective earth)
Conformity with standards	EN 60335-1

AC centrifugal fan

forward-curved, single-intake

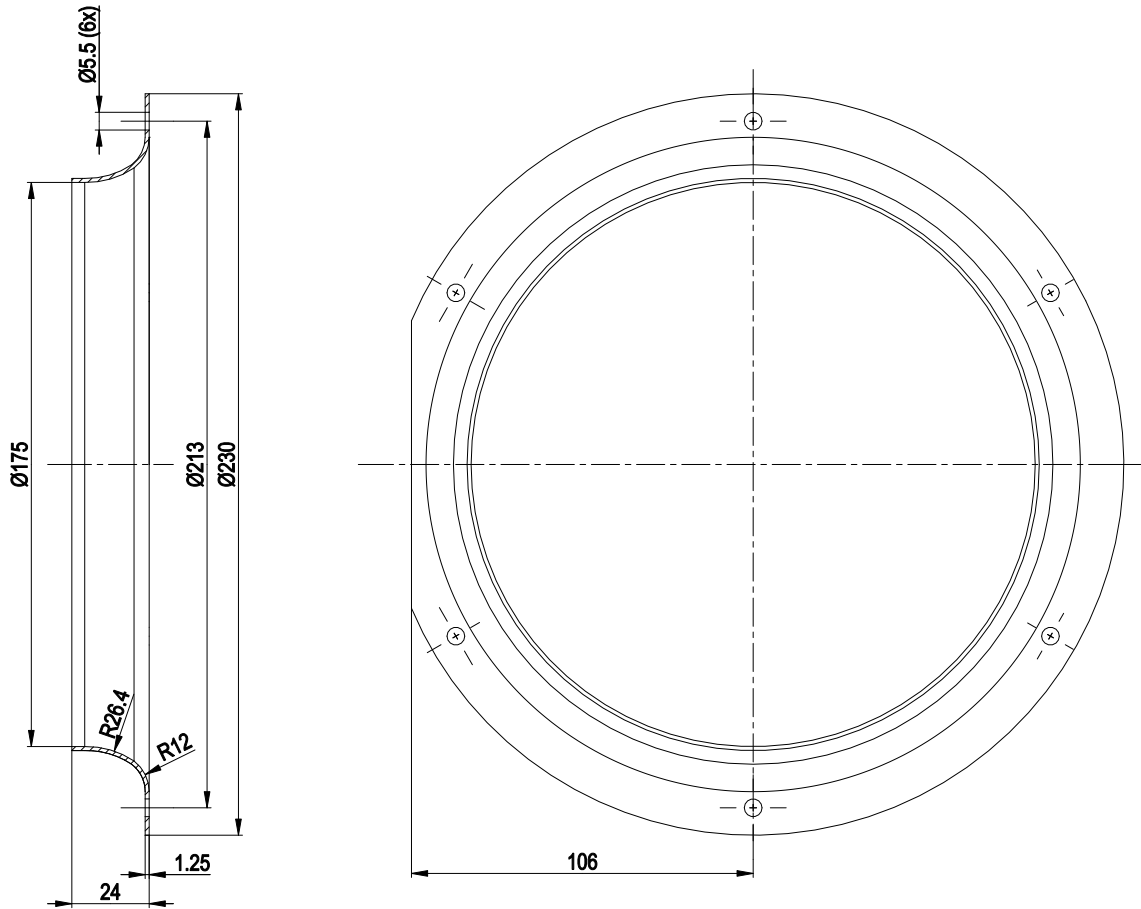
Product drawing



- | | |
|---|---|
| 1 | Accessory part: inlet ring 09605-2-4013 not included in scope of delivery |
| 2 | Max. clearance for screw 5 mm |
| 3 | Cable silicone 6G 0.5 mm ² , 6x crimped splices |

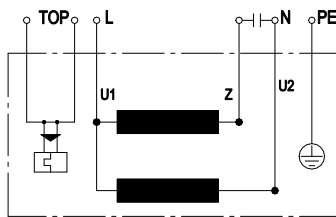


Accessory part



inlet ring 09605-2-4013 not included in scope of delivery

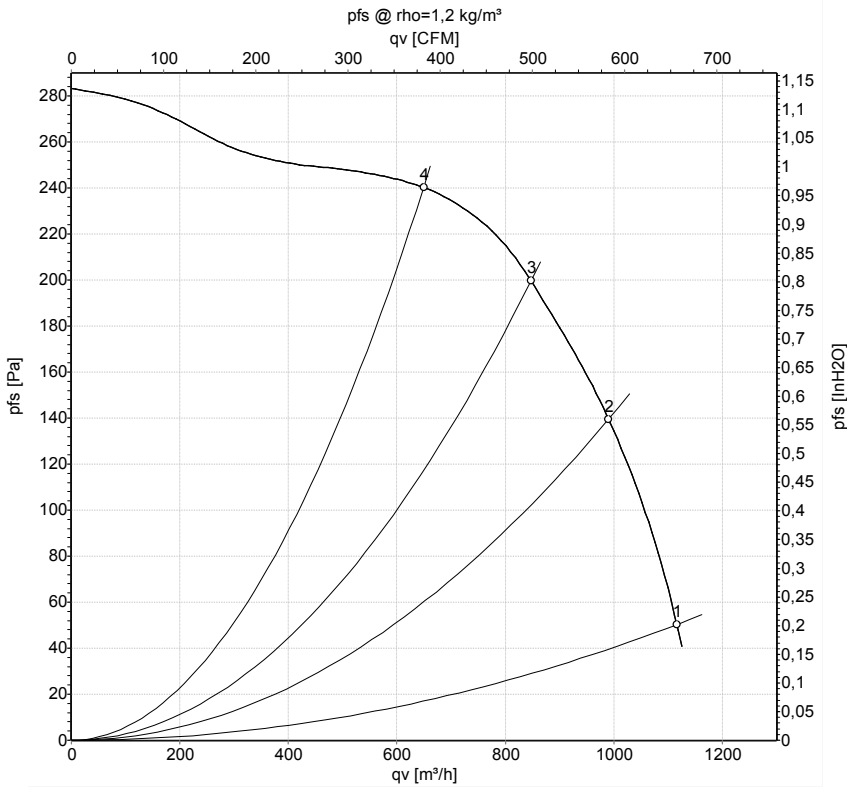
Connection diagram



U1	blue	Z	brown	U2	black
PE	green/yellow	TOP	2x gray		



Curves: Air performance 50 Hz



Measurement: LU-109687-1

Air performance measured according to ISO 5801 installation category A. For detailed information on the measurement setup, contact ebm-papst. Intake sound level: Sound power level according to ISO 13347 / sound pressure level measured at 1 m distance from fan axis. The values given are valid under the specified measuring conditions and may vary due to conditions of installation. For deviations from the standard configuration, the parameters have to be checked on the installed unit.

Measured values

	U	f	n	P _e	I	LpA _{in}	LwA _{in}	q _v	p _{fs}	q _v	p _{fs}
	V	Hz	min ⁻¹	W	A	dB(A)	dB(A)	m ³ /h	Pa	cfm	inH2O
1	230	50	1150	225	1.00	66	72	1115	50	655	0.20
2	230	50	1255	214	0.93	64	71	990	140	585	0.56
3	230	50	1320	194	0.84	63	70	845	200	500	0.80
4	230	50	1375	170	0.74	62	69	650	240	380	0.96

U = Power supply · f = Frequency · n = Speed (rpm) · P_e = Power consumption · I = Current draw · LpA_{in} = Sound pressure level intake side · LwA_{in} = Sound power level intake side
 q_v = Air flow · p_{fs} = Pressure increase

