

R4D450-AA04-05 ebmpapst Datasheet

sales@fansco.com

www.fansco.com

Limited partnership · Headquarters Mulfingen

Amtsgericht (court of registration) Stuttgart · HRA 590344

General partner Elektrobau Mulfingen GmbH · Headquarters Mulfingen

Amtsgericht (court of registration) Stuttgart · HRB 590142

Nominal data

Type	R4D450-AA04-05		
Motor	M4D094-HA		
Phase		3~	3~
Nominal voltage	VAC	230	400
Wiring		Δ	Y
Frequency	Hz	50	50
Method of obtaining data		ml	ml
Valid for approval/standard		-	-
Speed (rpm)	min ⁻¹	1375	1375
Power consumption	W	650	650
Current draw	A	2.45	1.42
Min. back pressure	Pa	0	0
Min. back pressure	inH ₂ O	0	0
Min. ambient temperature	°C	-40	-40
Max. ambient temperature	°C	50	50

ml = Max. load · me = Max. efficiency · fa = Free air · cs = Customer specification · ce = Customer equipment

Subject to change



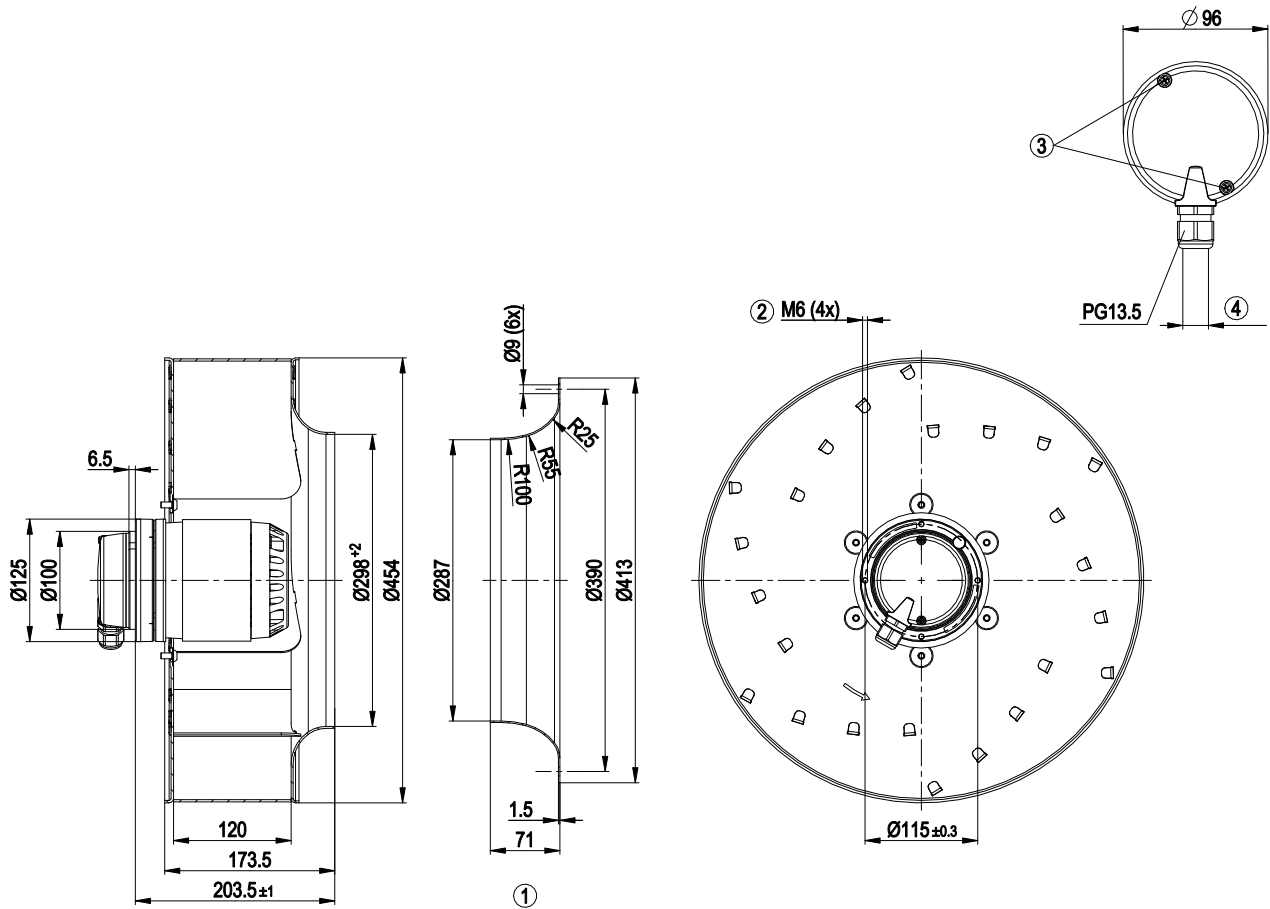
Technical description

Weight	9 kg
Fan size	450 mm
Rotor surface	Painted black
Terminal box material	ABS plastic
Impeller material	Sheet aluminum
Direction of rotation	Clockwise, viewed toward rotor
Degree of protection	IP54
Insulation class	"F"
Moisture (F) / Environmental (H) protection class	F4-1
Max. permitted ambient temp. for motor (transport/storage)	+80 °C
Min. permitted ambient temp. for motor (transport/storage)	-40 °C
Installation position	Any
Condensation drainage holes	None
Mode	S1
Motor bearing	Ball bearing
Touch current according to IEC 60990 (measuring circuit Fig. 4, TN system)	<= 3.5 mA
Electrical hookup	Via terminal box
Motor protection	Thermal overload protector (TOP) with basic insulation
With cable	Lateral
Protection class	I (with customer connection of protective earth)
Conformity with standards	EN 60034-1 (2010)
Approval	CCC

AC centrifugal fan

backward-curved, single-intake

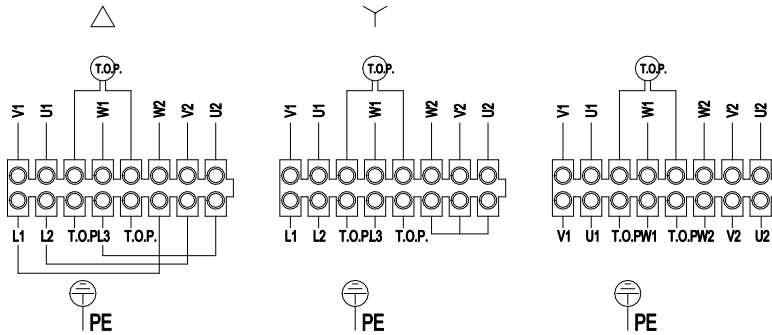
Product drawing



1	Accessory part: inlet ring 54478-2-4013 not included in scope of delivery
2	Max. clearance for screw 10 mm
3	Tightening torque 1.5 ± 0.2 Nm
4	Cable diameter min. 6 mm, max. 12 mm, tightening torque 2 ± 0.15 Nm



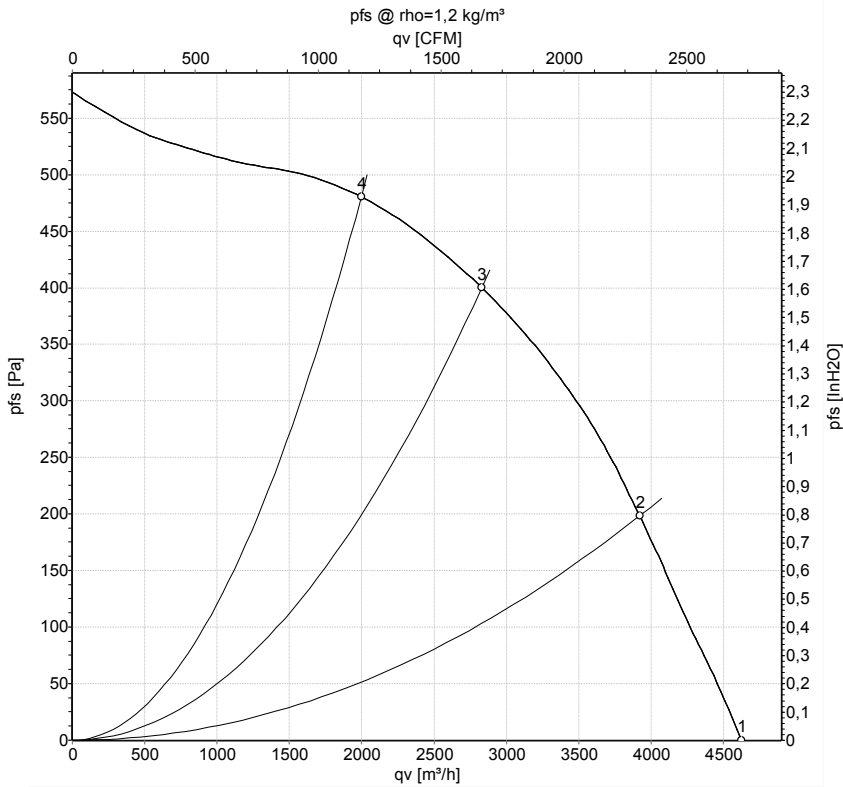
Connection diagram



Δ	Delta connection
Y	Star connection
L1	= V1 = black
L2	= U1 = blue
L3	= W1 = red
U2	green
V2	yellow
W2	white
TOP	Thermal overload protector



Curves: Air performance 50 Hz



Measurement: LU-53036-1

Air performance measured according to ISO 5801 installation category A. For detailed information on the measurement setup, contact ebm-papst. Intake sound level: Sound power level according to ISO 13347 / sound pressure level measured at 1 m distance from fan axis. The values given are valid under the specified measuring conditions and may vary due to conditions of installation. For deviations from the standard configuration, the parameters have to be checked on the installed unit.

Measured values

	Wired	U	f	n	P _e	I	q _v	P _{fs}	q _v	P _{fs}
		V	Hz	min ⁻¹	W	A	m ³ /h	Pa	cfm	inH2O
1	Y	400	50	1425	435	1.15	4625	0	2720	0.00
2	Y	400	50	1390	591	1.30	3920	200	2310	0.80
3	Y	400	50	1375	650	1.42	2830	400	1665	1.61
4	Y	400	50	1390	591	1.29	1995	480	1175	1.93

Wired = Wiring · U = Power supply · f = Frequency · n = Speed (rpm) · P_e = Power consumption · I = Current draw · q_v = Air flow · p_{fs} = Pressure increase

