

# R3G630-AA26-26

Zhongshan SAIVER WELAIRE Air Condti

# EC centrifugal fan

backward-curved, single-intake



R3G630-AA26-26 ebmpapst Datasheet

sales@fansco.com

www.fansco.com

Limited partnership · Headquarters Mulfingen

Amtsgericht (court of registration) Stuttgart · HRA 590344

General partner Elektrobau Mulfingen GmbH · Headquarters Mulfingen

Amtsgericht (court of registration) Stuttgart · HRB 590142

## Nominal data

Type	R3G630-AA26-26	
Motor	M3G150-FF	
Phase		1~
Nominal voltage	VAC	230
Nominal voltage range	VAC	200 .. 277
Frequency	Hz	50/60
Method of obtaining data		ml
Status		prelim.
Speed (rpm)	min <sup>-1</sup>	990
Power consumption	W	1450
Current draw	A	6.3
Min. ambient temperature	°C	-25
Max. ambient temperature	°C	60

ml = Max. load · me = Max. efficiency · fa = Free air · cs = Customer specification · ce = Customer equipment  
Subject to change

## Data according to ErP Directive

		Actual	Req. 2015			
01 Overall efficiency $\eta_{es}$	%	59.4	53.1	09 Power consumption $P_{ed}$	kW	1.42
02 Measurement category		A		09 Air flow $q_v$	m <sup>3</sup> /h	6910
03 Efficiency category		Static		09 Pressure increase $p_{fs}$	Pa	408
04 Efficiency grade N		68.3	62	10 Speed (rpm) n	min <sup>-1</sup>	995
05 Variable speed drive		Yes		11 Specific ratio <sup>*</sup>		1.00

Data obtained at optimum efficiency level.

The ErP data is determined using a motor-impeller combination in a standardized measurement setup.

<sup>\*</sup> Specific ratio =  $1 + p_{fs} / 100\,000\text{ Pa}$

LU-154775



R3G630-AA26-26

Zhongshan SAIVER WELAIRE Air Condti

# EC centrifugal fan

backward-curved, single-intake

## Technical description

Weight	24.2 kg
Fan size	630 mm
Rotor surface	Painted black
Electronics housing material	Die-cast aluminum
Impeller material	Sheet aluminum
Number of blades	6
Direction of rotation	Clockwise, viewed toward rotor
Degree of protection	IP55
Insulation class	"F"
Moisture (F) / Environmental (H) protection class	F4-1
Max. permitted ambient temp. for motor (transport/storage)	+80 °C
Min. permitted ambient temp. for motor (transport/storage)	-40 °C
Installation position	Shaft horizontal or rotor on bottom; rotor on top on request
Condensation drainage holes	On rotor side
Mode	S1
Motor bearing	Ball bearing
Technical features	<ul style="list-style-type: none"><li>- Output 10 VDC, max. 10 mA</li><li>- Output 20 VDC, max. 50 mA</li><li>- Output for slave 0-10 V</li><li>- Tach output</li><li>- Input for sensor 0-10 V or 4-20 mA</li><li>- External 24 V input (parameter setting)</li><li>- External release input</li><li>- Alarm relay</li><li>- Integrated PID controller</li><li>- Power limiter</li><li>- Motor current limitation</li><li>- PFC, active</li><li>- RS-485 MODBUS-RTU</li><li>- Soft start</li><li>- Control input 0-10 VDC / PWM</li><li>- Control interface with SELV potential safely disconnected from supply</li><li>- Thermal overload protection for electronics/motor</li><li>- Line undervoltage / phase failure detection</li></ul>
Touch current according to IEC 60990 (measuring circuit Fig. 4, TN system)	<= 3.5 mA
Electrical hookup	Via terminal box
Motor protection	Reverse polarity and locked-rotor protection
Protection class	I (with customer connection of protective earth)
Conformity with standards	EN 61800-5-1; CE
Approval	UL 1004-7 + 60730; C22.2 No.77 + CAN/CSA-E60730-1



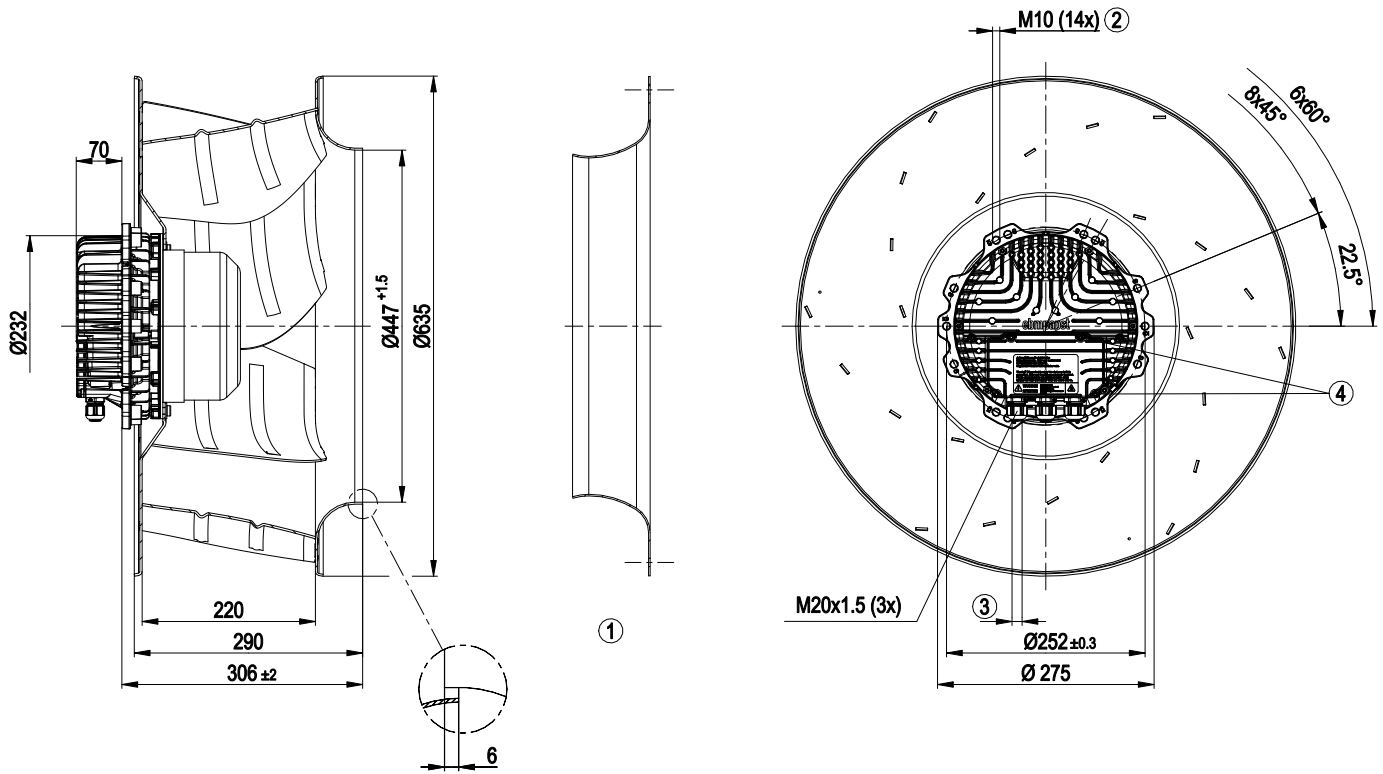
R3G630-AA26-26

Zhongshan SAIVER WELAIRE Air Condti

# EC centrifugal fan

backward-curved, single-intake

## Product drawing



1	Accessory part: inlet ring 63070-2-4013 not included in scope of delivery
2	Max. clearance for screw 25 mm
3	Cable diameter min. 4 mm, max. 10 mm, tightening torque $4 \pm 0.6$ Nm
4	Tightening torque $3.5 \pm 0.5$ Nm



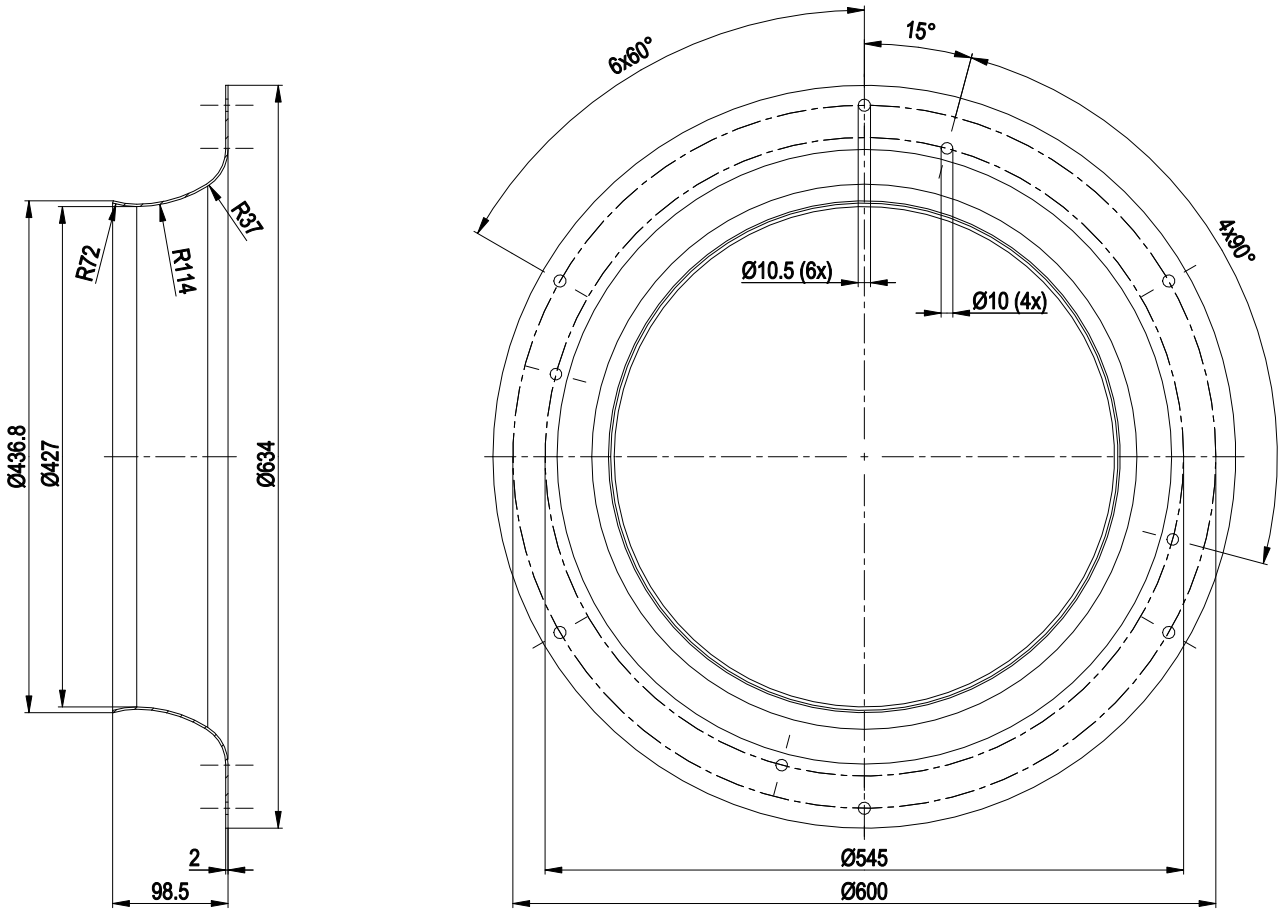
R3G630-AA26-26

Zhongshan SAIVER WELAIRE Air Condti

# EC centrifugal fan

backward-curved, single-intake

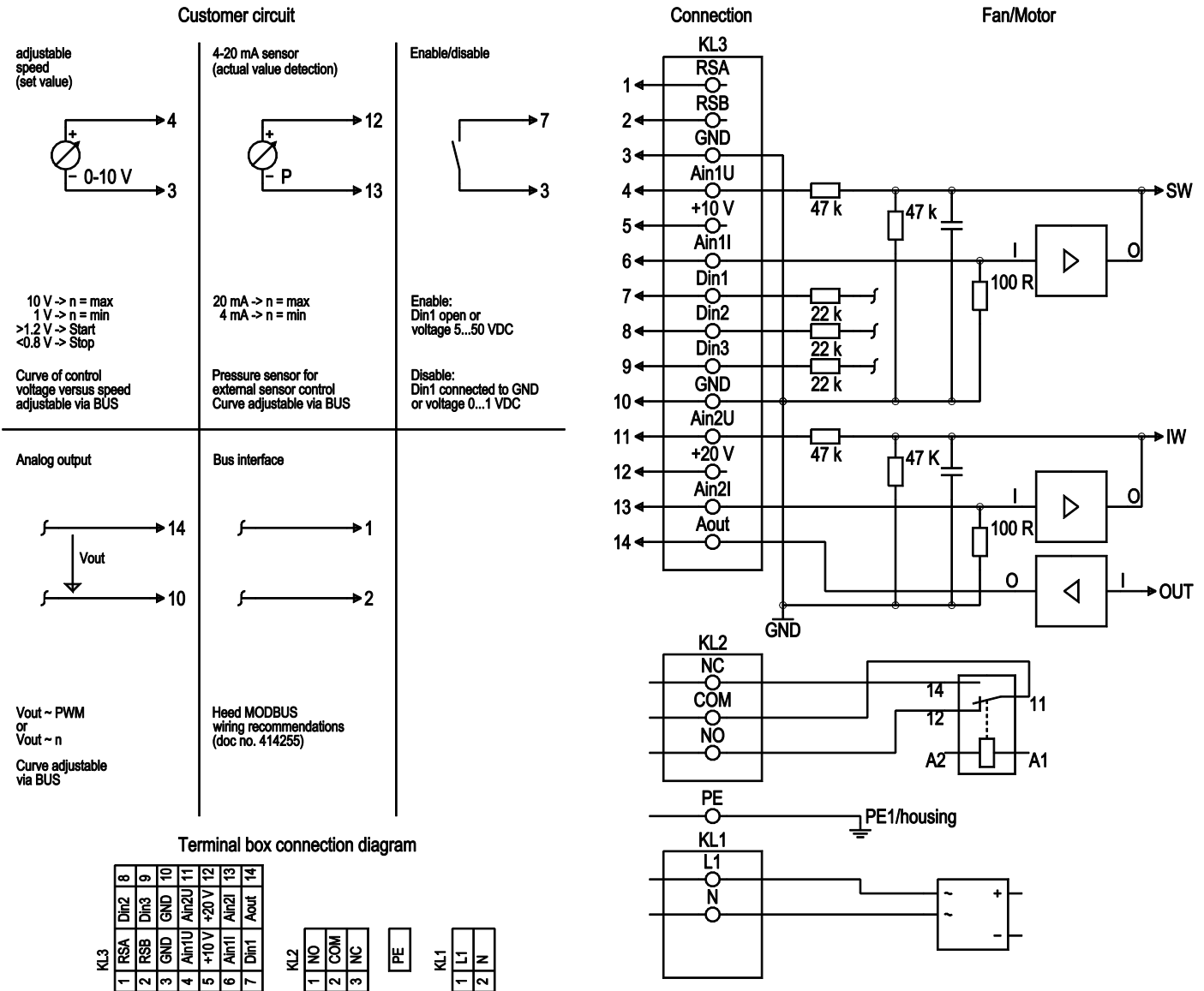
## Accessory part



Inlet ring 63070-2-4013 not included in scope of delivery



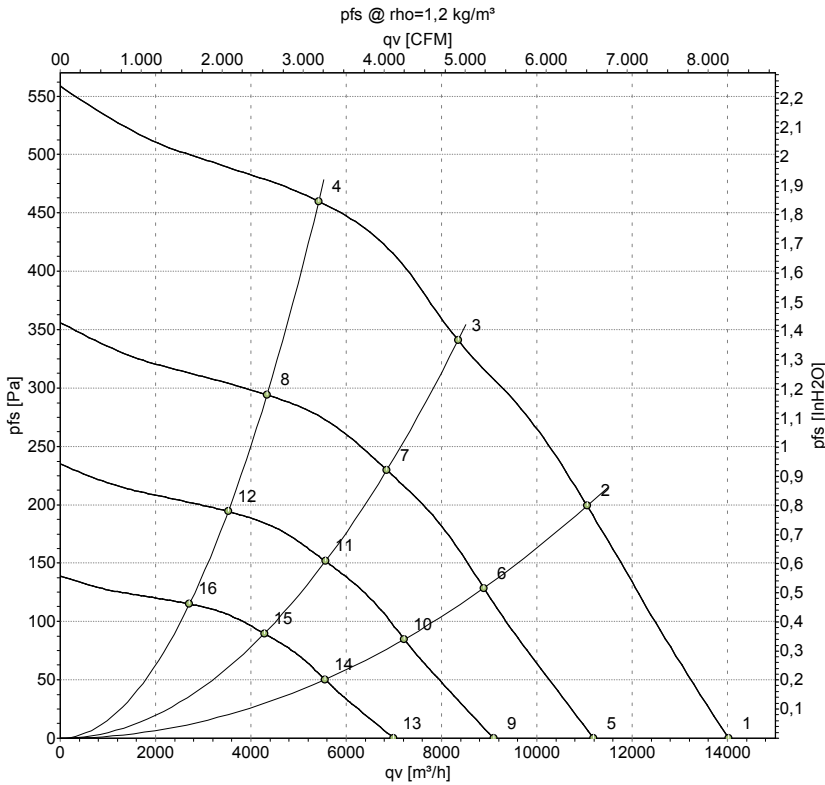
## Connection diagram



No.	Conn.	Designation	Function/assignment
KL1	1	L1	Supply connection, power supply; for nominal voltage range see technical data
KL1	2	N	Supply connection, power supply; for nominal voltage range see technical data
PE		PE	Ground connection, PE connection
KL2	1	NO	Status relay, floating status contact, make for failure
KL2	2	COM	Status relay, floating status contact, changeover contact, common connection, contact rating 250 VAC/ max. 2 A (AC1)/min. 10 mA
KL2	3	NC	Status relay, floating status contact, break for failure
KL3	1	RSA	Bus connection RS485, RSA, MODBUS-RTU; SELV
KL3	2	RSB	Bus connection RS485, RSB, MODBUS-RTU; SELV
KL3	3	GND	Reference ground for control interface; SELV
KL3	4	Ain1 U	Analog input 1, set value: 0-10 V, Ri = 100 kΩ, adjustable curve, only usable as alternative to input Ain1 I; SELV

No.	Conn.	Designation	Function/assignment
KL3	5	+ 10 V	Fixed voltage output 10 VDC, + 10 V +/-3%, max. 10 mA, short-circuit-proof, power supply for ext. devices (e.g. potentiometers); SELV
KL3	6	Ain1 I	Analog input 1, set value: 4-20 mA, Ri = 100 Ω, adjustable curve, only usable as alternative to input Ain1 U; SELV
KL3	7	Din1	Digital input 1: enable electronics, enable: pin open or applied voltage 5-50 VDC disable: bridge to GND or applied voltage < 1 VDC reset function: triggers software reset after a level change to < 1 VDC; SELV
KL3	8	Din2	Digital input 2: Switching parameter sets 1/2, according to EEPROM setting, the valid or used parameter set can be selected via bus or via digital input DIN2. Parameter set 1: pin open or applied voltage 5-50 VDC Parameter set 2: bridge to GND or applied voltage < 1 VDC; SELV
KL3	9	Din3	Digital input 3: according to EEPROM setting, the integrated controller's direction of action can be selected via bus or digital input Din3; normal: pin open or applied voltage 5-50 VDC inverse: bridge to GND or applied voltage < 1 VDC; SELV
KL3	10	GND	Reference ground for control interface, SELV
KL3	11	Ain2 U	Analog input 2, measured value: 0-10 V, Ri = 100 kΩ, adjustable curve, only usable as alternative to input Ain2 I; SELV
KL3	12	+ 20 V	Fixed voltage output 20 VDC, + 20 V +/-25/-10%, max. 50 mA, short-circuit-proof, power supply for ext. devices (e.g. sensors); SELV Alternatively: +24 VDC input for parameterization without line voltage
KL3	13	Ain2 I	Analog input 2, measured value: 4-20 mA, Ri = 100 Ω, adjustable curve, only usable as alternative to input Ain2 U; SELV
KL3	14	Aout	Analog output 0-10 VDC, max. 5 mA, output of current motor modulation level / motor speed adjustable curve; SELV

## Curves: Air performance 50 Hz



Measurement: LU-154775-1

Air performance measured according to ISO 5801 installation category A. For detailed information on the measurement setup, contact ebm-papst. Intake sound level: Sound power level according to ISO 13347 / sound pressure level measured at 1 m distance from fan axis. The values given are valid under the specified measuring conditions and may vary due to conditions of installation. For deviations from the standard configuration, the parameters have to be checked on the installed unit.

## Measured values

	U	f	n	P <sub>ed</sub>	I	LpA <sub>in</sub>	LwA <sub>in</sub>	LwA <sub>out</sub>	q <sub>v</sub>	P <sub>fs</sub>	q <sub>v</sub>	P <sub>fs</sub>
	V	Hz	min <sup>-1</sup>	W	A	dB(A)	dB(A)	dB(A)	m <sup>3</sup> /h	Pa	cfm	inH <sub>2</sub> O
1	230	50	990	1052	4.61	72	79	84	14015	0	8250	0.00
2	230	50	990	1329	5.80	67	75	80	11050	200	6505	0.80
3	230	50	990	1450	6.30	66	73	79	8345	340	4910	1.36
4	230	50	990	1324	5.78	67	74	80	5420	460	3190	1.85
5	230	50	800	535	2.35	66	73	78	11190	0	6585	0.00
6	230	50	800	688	3.00	62	69	74	8880	128	5225	0.51
7	230	50	800	781	3.41	61	69	74	6850	230	4030	0.92
8	230	50	800	676	2.95	61	69	74	4335	295	2550	1.18
9	230	50	650	287	1.26	61	68	73	9090	0	5350	0.00
10	230	50	650	369	1.61	56	64	69	7215	85	4245	0.34
11	230	50	650	419	1.83	56	63	69	5565	152	3275	0.61
12	230	50	650	363	1.58	56	64	69	3520	195	2075	0.78
13	230	50	500	131	0.57	54	61	66	6995	0	4115	0.00
14	230	50	500	168	0.73	50	57	62	5550	50	3265	0.20
15	230	50	500	191	0.83	49	57	62	4280	90	2520	0.36
16	230	50	500	165	0.72	49	57	62	2710	115	1595	0.46

U = Power supply · f = Frequency · n = Speed (rpm) · P<sub>ed</sub> = Power consumption · I = Current draw · LpA<sub>in</sub> = Sound pressure level intake side · LwA<sub>in</sub> = Sound power level intake side  
 LwA<sub>out</sub> = Sound power level outlet side · q<sub>v</sub> = Air flow · P<sub>fs</sub> = Pressure increase

