

R3G450-PA29-13 ebmpapst Datasheet

sales@fansco.com

www.fansco.com

Limited partnership · Headquarters Mulfingen

Amtsgericht (court of registration) Stuttgart · HRA 590344

General partner Elektrobau Mulfingen GmbH · Headquarters Mulfingen

Amtsgericht (court of registration) Stuttgart · HRB 590142

Nominal data

Type	R3G450-PA29-13	
Motor	M3G150-FF	
Phase		3~
Nominal voltage	VAC	200
Nominal voltage range	VAC	200 .. 240
Frequency	Hz	50/60
Method of obtaining data		ml
Status		prelim.
Speed (rpm)	min ⁻¹	2300
Power consumption	W	3950
Current draw	A	11.9
Min. ambient temperature	°C	-40
Max. ambient temperature	°C	40

ml = Max. load · me = Max. efficiency · fa = Free air · cs = Customer specification · ce = Customer equipment
Subject to change

Data according to Commission Regulation (EU) 327/2011

		Actual	Req. 2015			
01 Overall efficiency η_{es}	%	67.8	57.6	09 Power consumption P_{ed}	kW	3.79
02 Measurement category		A		09 Air flow q_v	m ³ /h	7205
03 Efficiency category		Static		09 Pressure increase p_{fs}	Pa	1226
04 Efficiency grade N		72.2	62	10 Speed (rpm) n	min ⁻¹	2300
05 Variable speed drive		Yes		11 Specific ratio [*]		1.01

Data obtained at optimum efficiency level.

The ErP data is determined using a motor-impeller combination in a standardized measurement setup.

^{*} Specific ratio = $1 + p_{fs} / 100\,000\text{ Pa}$

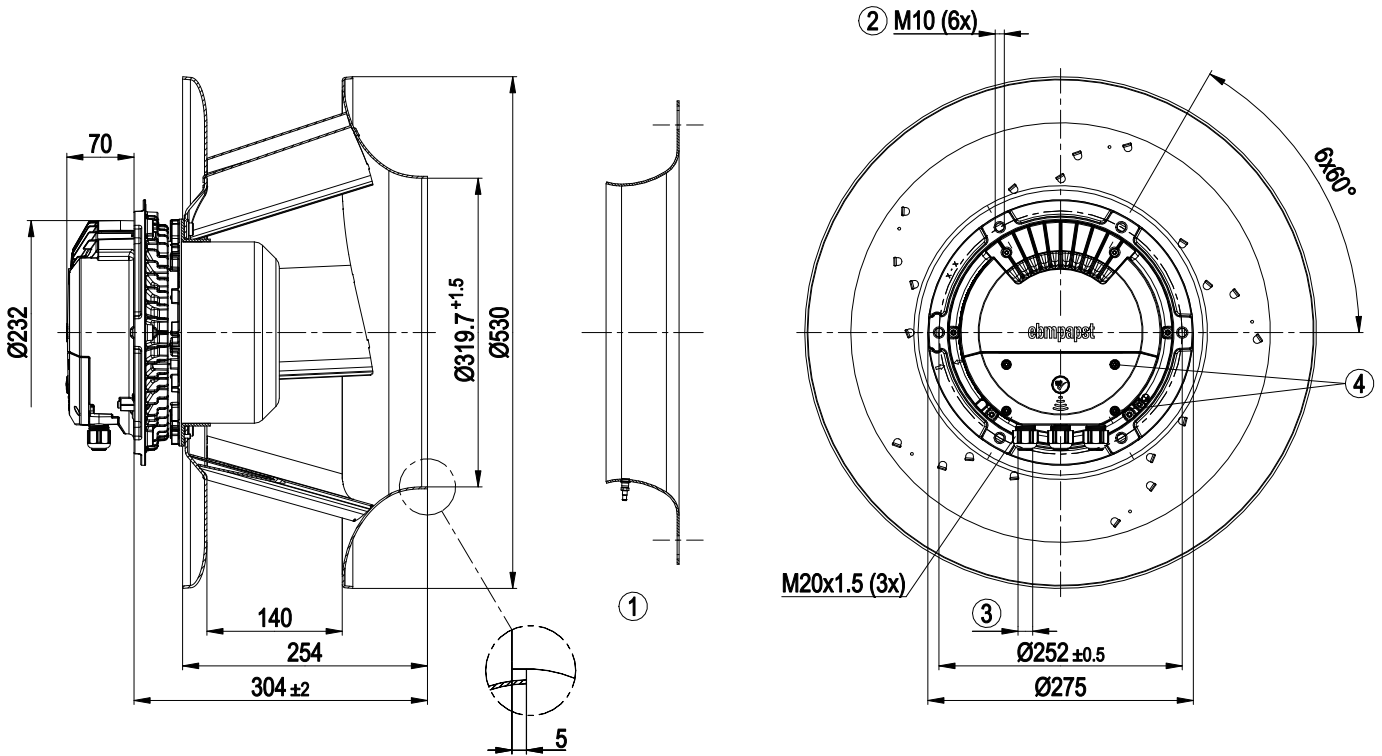
LU-197582



Technical description

Weight	20.5 kg
Size	450 mm
Motor size	150
Rotor surface	Painted black
Electronics housing material	Die-cast aluminum
Impeller material	Sheet aluminum
Number of blades	5
Direction of rotation	Clockwise, viewed toward rotor
Degree of protection	IP55
Insulation class	"F"
Moisture (F) / Environmental (H) protection class	H1
Ambient temperature note	Occasional start-up at temperatures between -40°C and -25°C is permitted. For continuous operation at ambient temperatures below -25°C (such as refrigeration applications), use must be made of a fan design with special low-temperature bearings.
Max. permitted ambient temp. for motor (transport/storage)	+80 °C
Min. permitted ambient temp. for motor (transport/storage)	-40 °C
Installation position	Shaft horizontal or rotor on bottom; rotor on top on request
Condensation drainage holes	On rotor side
Mode	S1
Motor bearing	Ball bearing
Technical features	<ul style="list-style-type: none"> - Operation and alarm display with LED - External 15-50 VDC input (parameterization) - Alarm relay - Integrated PI controller - Configurable inputs/outputs (I/O) - MODBUS V6.0 - Motor current limitation - RFID - ISO 15693 compatible - RS-485 MODBUS-RTU - Soft start - Voltage output 3.3-24 VDC, Pmax = 800 mW - Control interface with SELV potential safely disconnected from the mains - Thermal overload protection for electronics/motor - Line undervoltage / phase failure detection
EMC immunity to interference	According to EN 61000-6-2 (industrial environment)
EMC interference emission	According to EN 61000-6-3 (household environment)
Touch current according to IEC 60990 (measuring circuit Fig. 4, TN system)	<= 3.5 mA
Electrical hookup	Terminal box
Protection class	I (with customer connection of protective earth)
Conformity with standards	EN 61800-5-1; CE
Approval	UL 1004-7 + 60730-1; EAC; CSA C22.2 No. 77 + CAN/CSA-E60730-1

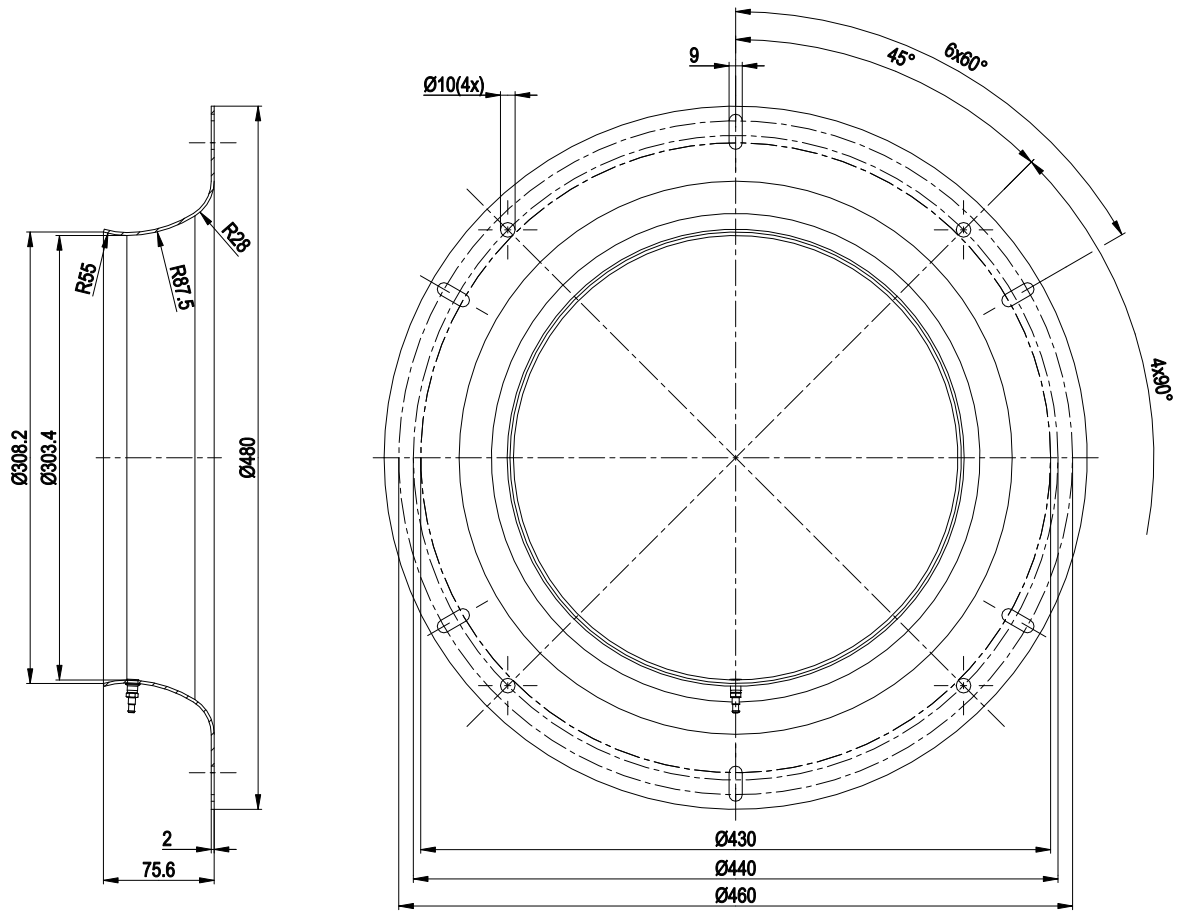
Product drawing



1	Accessory part: Inlet ring 45075-2-4013 with pressure tap (k-factor: 240) not included in scope of delivery
2	Max. clearance for screw 20 mm
3	Cable diameter min. 4 mm, max. 10 mm, tightening torque 4 ± 0.6 Nm
4	Tightening torque 1.5 ± 0.2 Nm



Accessory part



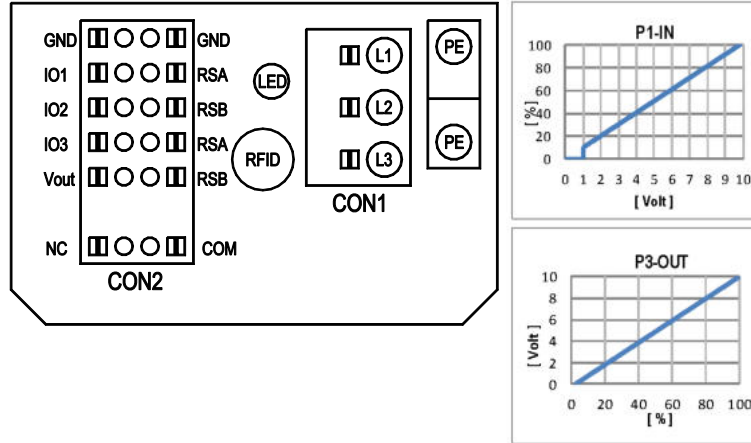
- inlet ring 45075-2-4013 with pressure tap (k-factor: 240) not included in scope of delivery



EC centrifugal fan - RadiPac

backward-curved, single-intake

Connection diagram



No.	Conn.	Designation	Function/assignment
	CON1	L1, L2, L3	Power supply, phase, see nameplate for voltage range
	PE	PE	Protective earth
	CON2	RSA	RS485 interface for MODBUS, RSA; SELV
	CON2	RSB	RS485 interface for MODBUS, RSB; SELV
	CON2	GND	Reference ground for control interface, SELV
	CON2	IO1	Function parameterizable (see "Optional interface functions" table) Factory setting: Digital input - high active, function: Disable input, SELV - inactive: Pin open or applied voltage < 1.5 VDC - active: applied voltage 3.5-50 VDC Reset function: Triggering of error reset on change of state from "enabled" to "disabled"
	CON2	IO2	Function parameterizable (see "Optional interface functions" table) Factory setting: Analog input 0-10 V / PWM, Ri=100 kΩ, function: Set value Characteristic curve parameterizable (see input characteristic curve P1-IN), SELV
	CON2	IO3	Function parameterizable (see "Optional interface functions" table) Factory setting: Analog output 0-10 V, max. 5 mA, function: Fan modulation level Characteristic curve parameterizable (see output characteristic curve P3-OUT), SELV
	CON2	Vout	Voltage output 3.3-24 VDC ±5%, Pmax=800 mW, voltage parameterizable Factory setting: 10 VDC short-circuit-proof, supply for external devices, SELV alternatively: 15-50 VDC input for parameterization via MODBUS without line voltage
	CON2	COM	Status relay, floating status contact, common connection, contact rating 250 VAC / 2 A (AC1) / min. 10 mA, reinforced insulation on supply side and on control interface side
	CON2	NC	Status relay, floating status contact, break for failure
		LED	green: status = good, ready for operation orange: status = warning red: status = failure
		P1-IN	Input characteristic curve
		P3-OUT	Output characteristic curve



Terminal/plug assignment

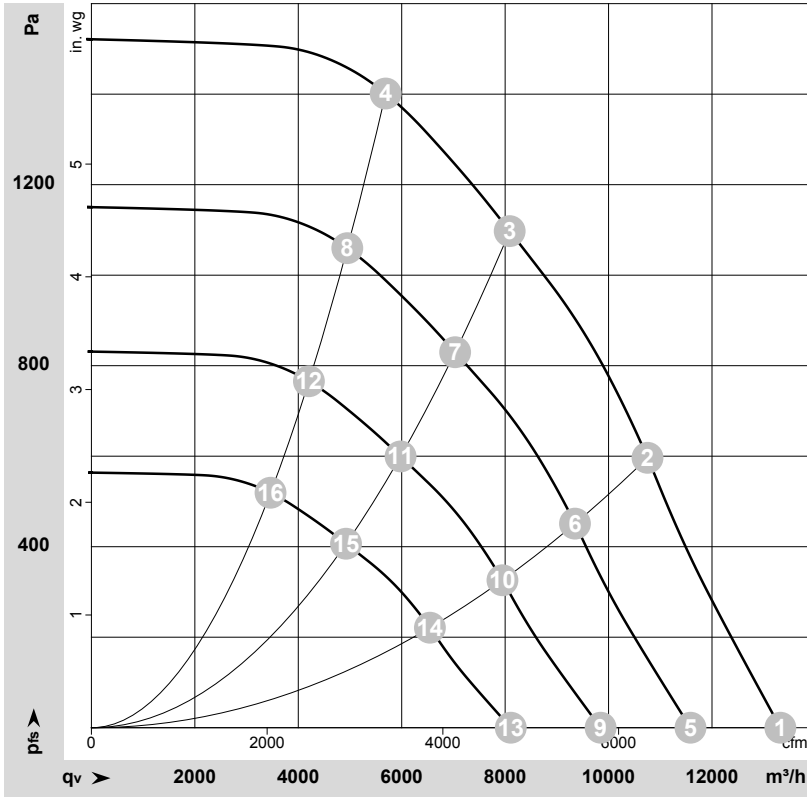
CON2	configurable IO mode	electrical specification	configurable IO functions: normal / inverse	MODBUS Register for IO mode configuration	INPUT	OUTPUT
101	○ Din1 (active high), digital input	not active: pin open or applied voltage < 1.5VDC active: applied voltage 3.5-50VDC, SELV	D158 [0]	source: set value	source: sensor value	signal: tach out
	○ Ain1 0-10V/PWM: analog input	Ri=100K, characteristic curve parameterizable, f _{PWM} =1k..10KHz, SELV	D158 [2]	switch: control function: heating (pos.), cooling (neg.)	switch: parameter set: #1 / #2	signal: fan modulation level %
	○ Tacho out (open collector output)	U _{max} =50VDC, I _{max} =20mA, SELV	D158 [5]	switch: direction of rotation: cw / ccw	switch: set value source	signal: actual speed
	○ Diagnostics out (open collector output)	U _{max} =50VDC, I _{max} =20mA, SELV	D158 [6]	switch: fan enable / disable	switch: set value source	signal: diagnostics out
102	○ Din2 (active high), digital input	not active: pin open or applied voltage < 1.5VDC active: applied voltage 3.5-50VDC, SELV	D159 [0]	source: sensor value	source: set value	signal: tach out
	○ Ain2 0-10V/PWM: analog input ○ Ain2 4-20mA: analog input	Ri=100K, characteristic curve parameterizable, f _{PWM} =1k..10KHz, SELV Ri=125R, characteristic curve parameterizable, SELV	D159 [2] D159 [3]	switch: control function: heating (pos.), cooling (neg.)	switch: parameter set: #1 / #2	signal: fan modulation level %
103	○ Din3 (active high), digital input	not active: pin open or applied voltage < 1.5VDC active: applied voltage 3.5-50VDC, SELV	D15A [0]	source: sensor value	source: set value	signal: tach out
	○ Din3 (active low), digital input	not active: pin open or applied voltage < 1.5VDC active: applied voltage 3.5-50VDC, SELV	D15A [1]	switch: control function: heating (pos.), cooling (neg.)	switch: parameter set: #1 / #2	signal: fan modulation level %
	○ PWMIn3: digital input	not active: pin open or applied voltage < 1.5VDC active: applied voltage < 1.5VDC, SELV 40Hz - 10KHz, characteristics parameterizable	D15A [7]	switch: direction of rotation: cw / ccw	switch: set value source	signal: actual speed
RSA RSB	○ Aout3 0-10V: analog output	not active: pin open or applied voltage < 1.5VDC, SELV active: applied voltage < 1.5VDC, SELV	D15A [4]	switch: fan enable / disable	switch: set value source	signal: diagnostics out
	○ Tacho out (pulses), analog output	function parameterizable, max. 5mA, max output frequency 300Hz, SELV	D15A [5]	switch: direction of rotation: cw / ccw	switch: set value source	signal: fan modulation level %
	○ Diagnostics out (pulses)	0-10V max. 5mA, max output frequency 300Hz, SELV 0-10V max. 5mA, max output frequency 300Hz, SELV	D15A [6]	switch: fan enable / disable	switch: set value source	signal: tach out
RSA RSB	RS485 bus connection,	MODBUS RTU, specification V6.0, SELV				
Vout	voltage output alternatively: input auxiliary power supply for parameterization via RS485/MODBUS RTU without line voltage	voltage parameterizable 3.3...24VDC +/- 5.5%, P _{max} =800mW, short-circuit-proof, supply for external devices, SELV 15...50VDC	D16E [..]			

○ configurable option

For further information and additional functions see EC Control Software, Fan-Set-App, or MODBUS Parameter Specification V6.0



Curves: Air performance 50 Hz



$\rho = 1.15 \text{ kg/m}^3 \pm 2 \%$

Measurement: LU-197582-1

Air performance measured according to ISO 5801 installation category A. For detailed information on the measurement setup, contact ebmpapst. Intake sound level: Sound power level according to ISO 13347 / sound pressure level measured at 1 m distance from fan axis. The values given are valid under the specified measuring conditions and may vary due to conditions of installation. For deviations from the standard configuration, the parameters have to be checked on the installed unit.

Measured values

	Wired	U	f	n	P _{ed}	I	LpA _{in}	LwA _{in}	LwA _{out}	q _v	p _{fs}	q _v	p _{fs}
		V	Hz	min ⁻¹	W	A	dB(A)	dB(A)	dB(A)	m ³ /h	Pa	cfm	in. wg
1	3~	200	50	2300	2312	7.02	91	98	98	13320	0	7840	0.00
2	3~	200	50	2300	3361	10.15	82	89	92	10755	600	6330	2.41
3	3~	200	50	2300	3950	11.90	75	83	89	8090	1100	4760	4.42
4	3~	200	50	2300	3695	11.16	80	86	91	5690	1400	3350	5.62
5	3~	200	50	2000	1520	4.62	87	94	95	11585	0	6820	0.00
6	3~	200	50	2000	2210	6.68	78	86	89	9350	452	5505	1.81
7	3~	200	50	2000	2579	7.79	72	79	86	7035	830	4140	3.33
8	3~	200	50	2000	2430	7.34	76	83	87	4950	1067	2910	4.28
9	3~	200	50	1700	933	2.83	83	90	91	9845	0	5795	0.00
10	3~	200	50	1700	1357	4.10	74	81	85	7950	327	4680	1.31
11	3~	200	50	1700	1584	4.78	68	75	82	5980	600	3520	2.41
12	3~	200	50	1700	1492	4.51	72	79	83	4205	771	2475	3.10
13	3~	200	50	1400	521	1.58	78	85	86	8110	0	4775	0.00
14	3~	200	50	1400	758	2.29	69	77	80	6545	222	3850	0.89
15	3~	200	50	1400	885	2.67	63	70	77	4925	407	2900	1.63
16	3~	200	50	1400	833	2.52	67	74	78	3465	523	2040	2.10

Wired = Wiring · U = Voltage · f = Frequency · n = Speed (rpm) · P_{ed} = Power consumption · I = Current draw · LpA_{in} = Sound pressure level intake side · LwA_{in} = Sound power level intake side · LwA_{out} = Sound power level outlet side · q_v = Air flow · p_{fs} = Pressure increase

