

R3G400-AD27-62

EC centrifugal fan

backward-curved, single-intake



R3G400-AD27-62 ebmpapst Datasheet

sales@fansco.com

www.fansco.com

Limited partnership · Headquarters Mulfingen
Amtsgericht (court of registration) Stuttgart · HRA 590344

General partner Elektrobau Mulfingen GmbH · Headquarters Mulfingen
Amtsgericht (court of registration) Stuttgart · HRB 590142

Nominal data

Type	R3G400-AD27-62	
Motor	M3G084-FA	
Phase		1~
Nominal voltage	VAC	230
Nominal voltage range	VAC	200 .. 277
Frequency	Hz	50/60
Method of obtaining data		ml
Speed (rpm)	min ⁻¹	1420
Power consumption	W	370
Current draw	A	1.65
Min. ambient temperature	°C	-25
Max. ambient temperature	°C	40

ml = Max. load · me = Max. efficiency · fa = Free air · cs = Customer specification · ce = Customer equipment
Subject to change

Data according to Commission Regulation (EU) 327/2011 (EN 17166)

		Actual	Req. 2015			
01 Overall efficiency η_{es}	%	60.3	46.8	09 Power consumption P_{ed}	kW	0.35
02 Measurement category		A		09 Air flow q_v	m ³ /h	1805
03 Efficiency category		Static		09 Pressure increase p_{fs}	Pa	385
04 Efficiency grade N		75.5	62	10 Speed (rpm) n	min ⁻¹	1435
05 Variable speed drive		Yes		11 Specific ratio*		1.00

Data obtained at optimum efficiency level.
The ErP data is determined using a motor-impeller combination in a standardized measurement setup.

* Specific ratio = $1 + p_{fs} / 100\,000\text{ Pa}$

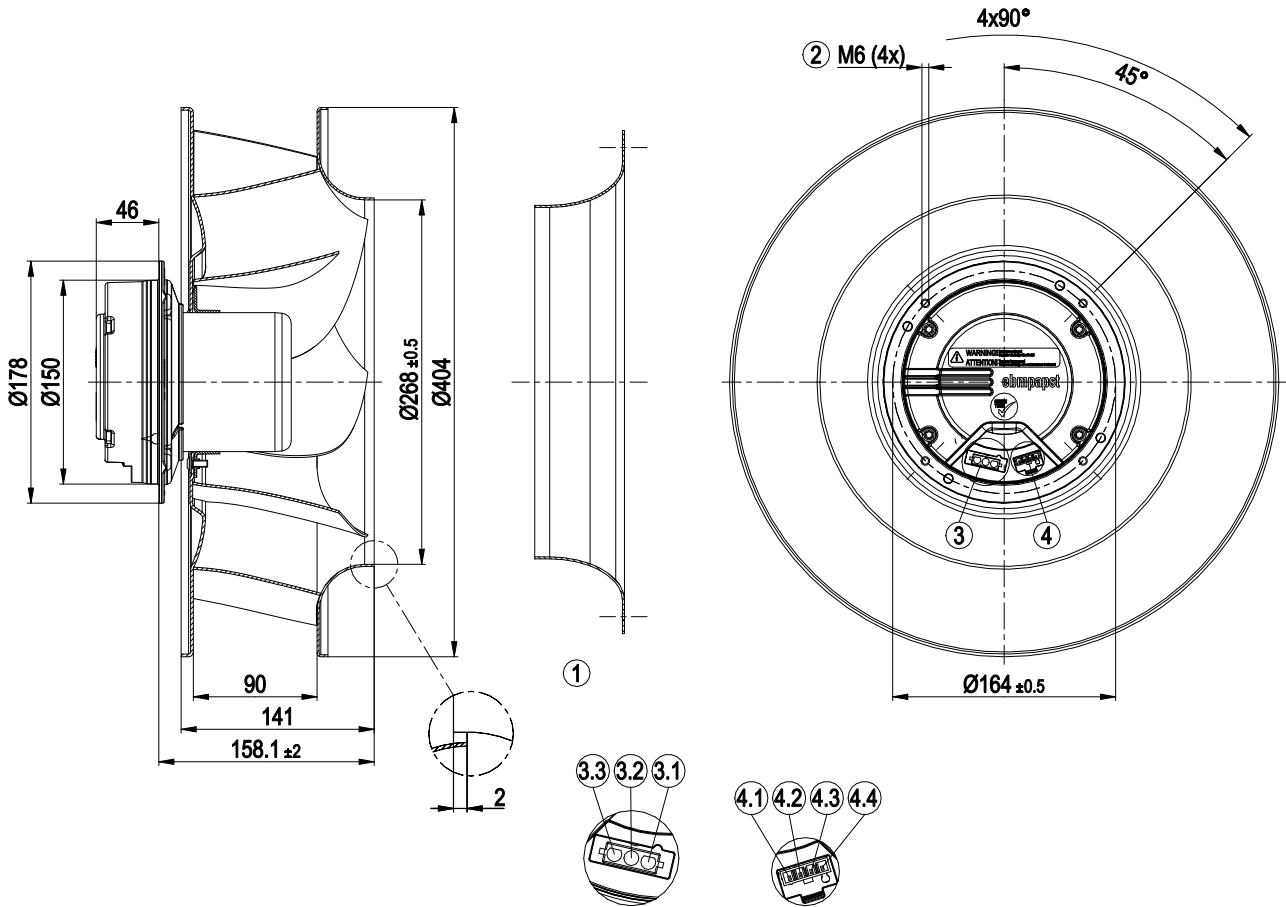
LU-66012



Technical description

Weight	5.7 kg
Size	400 mm
Motor size	84
Rotor surface	Painted black
Electronics housing material	Die-cast aluminum
Impeller material	Sheet aluminum
Number of blades	6
Direction of rotation	Clockwise, viewed toward rotor
Degree of protection	IP20
Insulation class	"B"
Moisture (F) / Environmental (H) protection class	H0 - dry environment
Max. permitted ambient temp. for motor (transport/storage)	+80 °C
Min. permitted ambient temp. for motor (transport/storage)	-40 °C
Installation position	Shaft horizontal or rotor on top; rotor on bottom on request
Condensation drainage holes	None
Mode	S1
Motor bearing	Ball bearing
Technical features	<ul style="list-style-type: none"> - Operation and alarm display: reversible voltage output 0 V / +15 V - Integrated PID controller - Motor current limitation - PFC, active - RS-485 ebmBUS - Soft start - Control interface with SELV potential safely disconnected from the mains - Thermal overload protection for electronics/motor - Line undervoltage / phase failure detection
Touch current according to IEC 60990 (measuring circuit Fig. 4, TN system)	<= 3.5 mA
Electrical hookup	Plug
Motor protection	Thermal overload protector (TOP) internally connected
With cable	Variable
Protection class	I (with customer connection of protective earth)
Conformity with standards	EN 61800-5-1; CE
Approval	CSA C22.2 No. 77 + CAN/CSA-E60730-1; UL 1004-3 + 60730-1

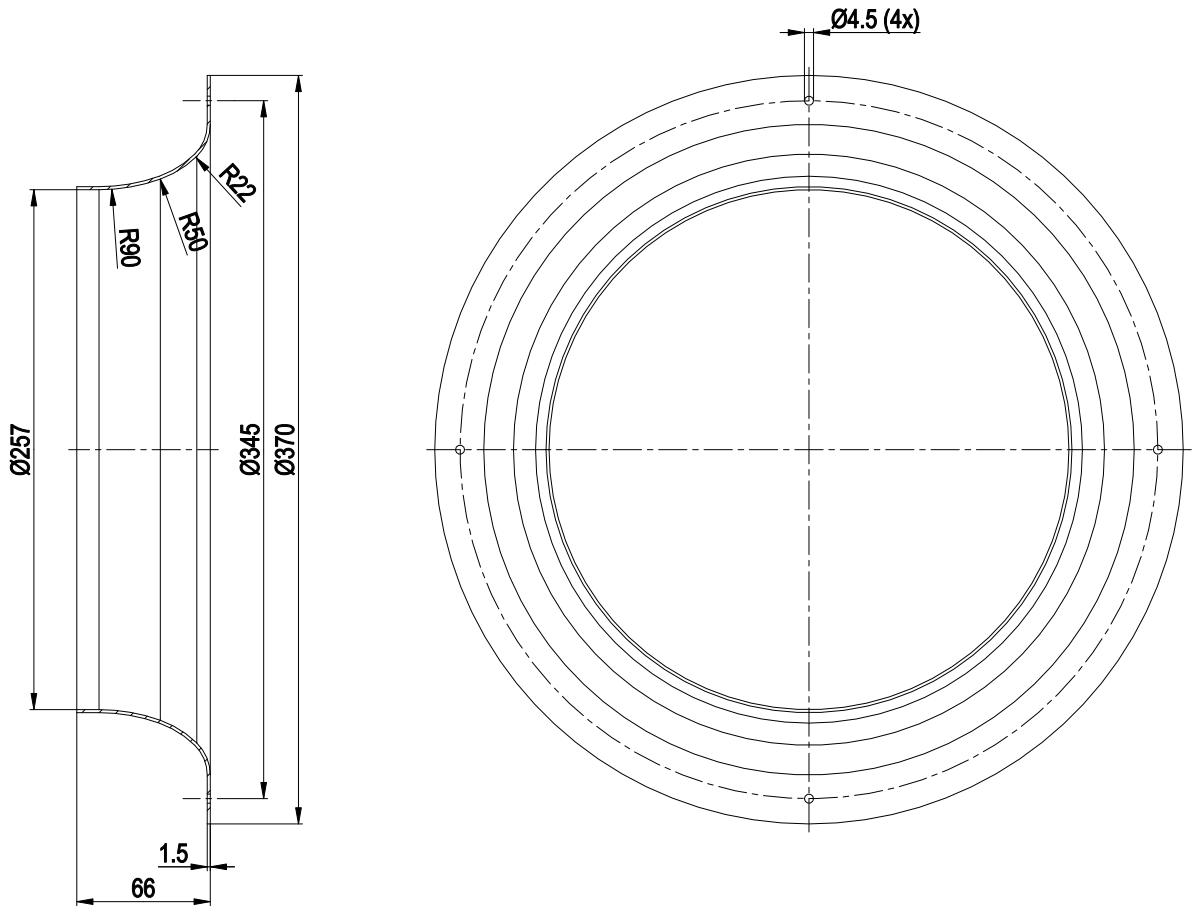
Product drawing



1	Accessory part: inlet ring 54476-2-4013 not included in scope of delivery
2	Max. clearance for screw 10 mm
3	3-pole header Lonco C63502-3A, mating connector with sockets not included in scope of delivery
3.1	L
3.2	N
3.3	PE
4	4-pole header Molex 39-30-2040, mating connector with sockets not included in scope of delivery
4.1	RSB
4.2	RSA
4.3	+15 V; in case of fault: 0 V
4.4	0 V; in case of fault: +15 V

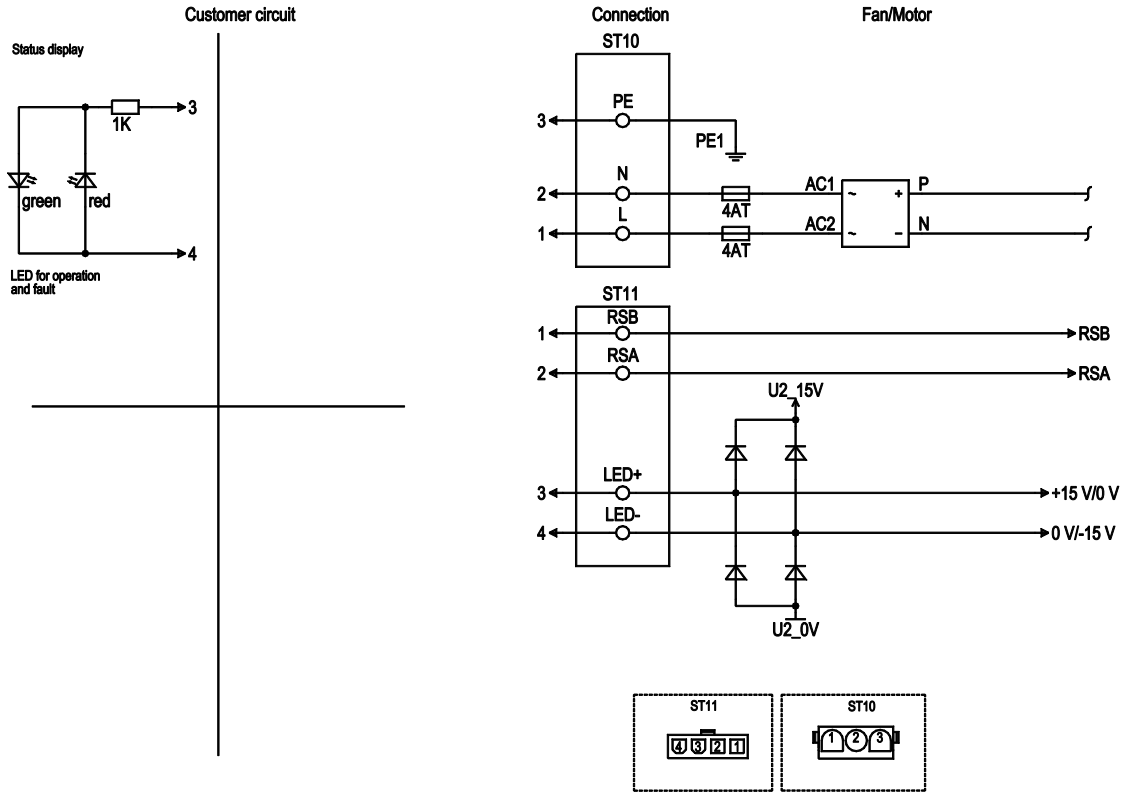


Accessory part



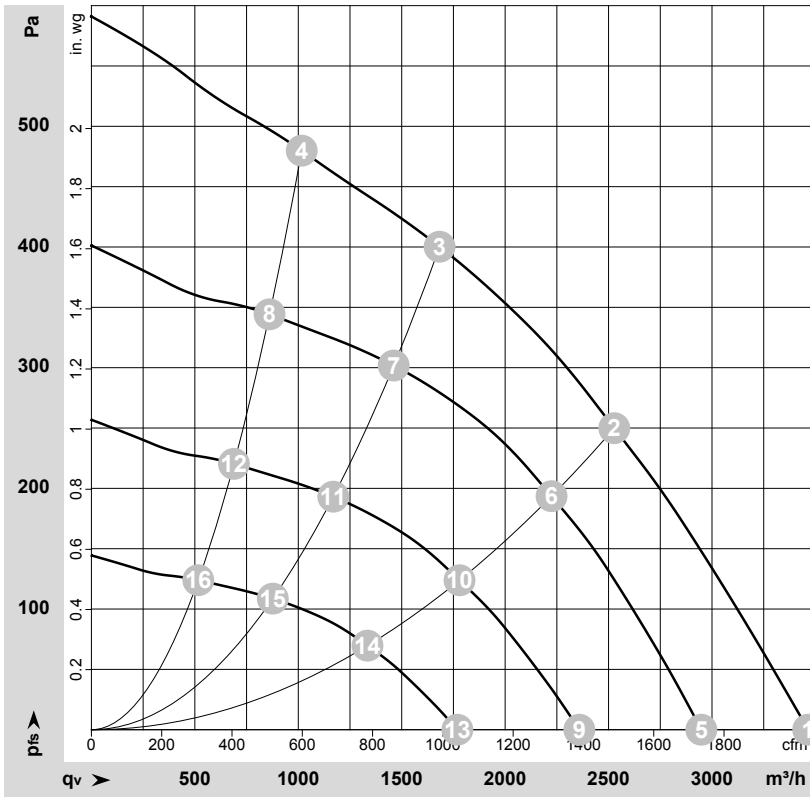
Inlet ring 54476-2-4013 not included in scope of delivery

Connection diagram



No.	Conn.	Designation	Color	Function/assignment
10	1	L		Power supply, phase, 50/60 Hz
10	2	N		Power supply, neutral conductor, 50/60 Hz
10	3	PE		Protective earth
11	1	RSB		RS-485 interface for ebmBus, RSB; SELV
11	2	RSA		RS-485 interface for ebmBus, RSA; SELV
11	3	LED +		Voltage output 15 V (+15%/-10%), max. 30 mA, power supply for external devices (e.g. status display for LED), SELV
11	4	LED -		Reference ground for control interface, SELV

Curves: Air performance 50 Hz



$\rho = 1.15 \text{ kg/m}^3 \pm 2 \%$

Measurement: LU-66012-1

Air performance measured according to ISO 5801 installation category A. For detailed information on the measurement setup, contact ebmpapst. Intake sound level: Sound power level according to ISO 13347 / sound pressure level measured at 1 m distance from fan axis. The values given are valid under the specified measuring conditions and may vary due to conditions of installation. For deviations from the standard configuration, the parameters have to be checked on the installed unit.

Measured values

	Wired	U	f	n	P _{ed}	I	q _v	P _{fs}	q _v	P _{fs}
		V	Hz	min ⁻¹	W	A	m ³ /h	Pa	cfm	in. wg
1	1~	230	50	1470	323	1.44	3465	0	2040	0.00
2	1~	230	50	1420	370	1.65	2530	250	1490	1.00
3	1~	230	50	1440	351	1.55	1685	400	990	1.61
4	1~	230	50	1475	313	1.39	1015	480	600	1.93
5	1~	230	50	1250	199	0.88	2950	0	1735	0.00
6	1~	230	50	1250	254	1.12	2225	194	1310	0.78
7	1~	230	50	1250	230	1.02	1460	302	860	1.21
8	1~	230	50	1250	190	0.84	860	344	505	1.38
9	1~	230	50	1000	102	0.45	2360	0	1390	0.00
10	1~	230	50	1000	130	0.58	1780	124	1050	0.50
11	1~	230	50	1000	118	0.52	1170	193	690	0.77
12	1~	230	50	1000	97	0.43	690	220	405	0.88
13	1~	230	50	750	43	0.19	1770	0	1040	0.00
14	1~	230	50	750	55	0.24	1335	70	785	0.28
15	1~	230	50	750	50	0.22	875	109	515	0.44
16	1~	230	50	750	41	0.18	515	124	305	0.50

Wired = Wiring · U = Voltage · f = Frequency · n = Speed (rpm) · P_{ed} = Power consumption · I = Current draw · q_v = Air flow · P_{fs} = Pressure increase

