

R3G355-RS13-P1

# EC centrifugal fan - RadiCal

backward curved, single inlet

for railway applications



R3G355-RS13-P1 ebmpapst Datasheet

sales@fansco.com

www.fansco.com

Limited partnership · Headquarters Mulfingen  
County court Stuttgart · HRA 590344

General partner Elektrobau Mulfingen GmbH · Headquarters Mulfingen  
County court Stuttgart · HRB 590142

## Nominal data

Type	R3G355-RS13-P1	
Motor	M3G084-FA	
Nominal voltage	VDC	110
Nominal voltage range	VDC	77 .. 138
Type of data definition		ml
Speed (rpm)	min <sup>-1</sup>	1870
Power input	W	540
Current draw	A	4.9
Min. ambient temperature	°C	-40
Max. ambient temperature	°C	60

ml = Max. load · me = Max. efficiency · fa = Running at free air · cs = Customer specs · cu = Customer unit  
Subject to alterations

## Data in accordance with ecodesign regulation EU 327/2011 (EN 17166)

		Actual	Request 2015			
01 Overall efficiency $\eta_{es}$	%	63.5	48.7	09 Power input $P_e$	kW	0.53
02 Measurement category		A		09 Air flow $q_v$	m <sup>3</sup> /h	2805
03 Efficiency category		Static		09 Pressure increase $p_{fs}$	Pa	399
04 Efficiency grade N		76.8	62	10 Speed (rpm) n	min <sup>-1</sup>	1865
05 Variable speed drive		Yes		11 Specific ratio*		1.00

Data definition with optimum efficiency.

\* Specific ratio =  $1 + p_{fs} / 100\,000\text{ Pa}$

LU-194580

The indicated efficiency values for obtaining conformity with the Ecodesign Directive EU 327/2011 were achieved with defined air conduction components (e.g. inlet nozzles). The dimensions are to be requested from ebm-papst. If other air guide geometries are used on the installation side, the ebm-papst evaluation loses its validity/conformity must be confirmed again. The product does not fall within the scope of Regulation (EU) 2019/1781 due to the exception specified in Article 2(2a) (motors completely integrated into a product).



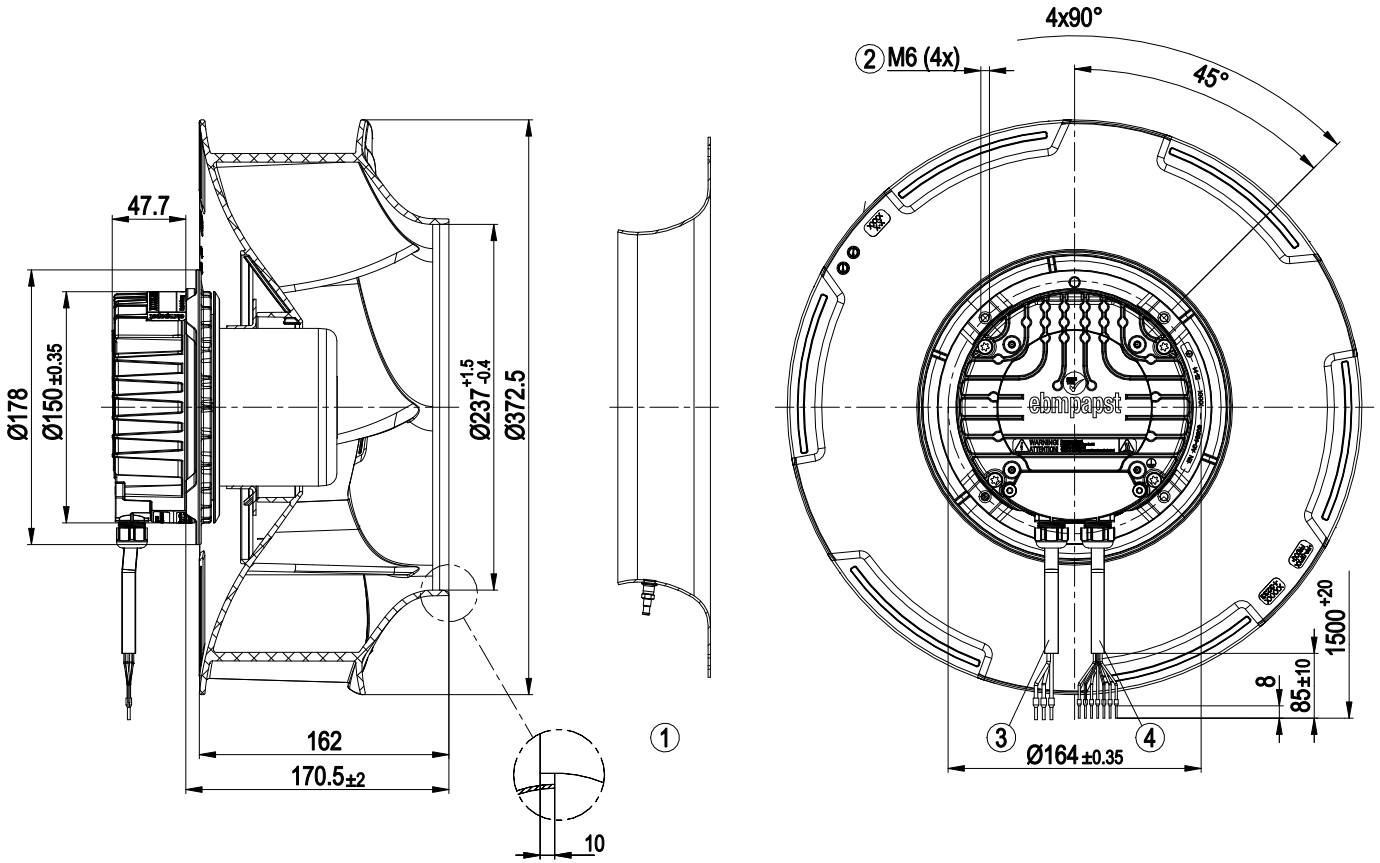
### Technical features

Mass	6.1 kg
Size	355 mm
Motor size	84
Surface of rotor	Coated in black
Material of electronics housing	Die-cast aluminium
Material of impeller	PA UL94 V0 plastic
Number of blades	6
Direction of rotation	Clockwise, seen on rotor
Type of protection	IP55
Insulation class	"F"
Humidity (F) / environmental protection class (H)	H3
Max. permissible ambient motor temp. (transp./ storage)	+80 °C
Min. permissible ambient motor temp. (transp./storage)	-40 °C
Mounting position	Shaft horizontal or rotor on bottom; rotor on top on request
Condensation drainage holes	Rotor-side
Operation mode	S1
Motor bearing	Ball bearing; (sealed)
Technical features	<ul style="list-style-type: none"> <li>- Output 10 VDC, max. 10 mA</li> <li>- Operation and alarm display</li> <li>- Alarm relay</li> <li>- Motor current limit</li> <li>- RS485 MODBUS RTU</li> <li>- Soft start</li> <li>-Maximum EEPROM write cycles 100,000</li> <li>- Control input 0-10 VDC / PWM</li> <li>- Control interface with SELV potential safely disconnected from the mains</li> <li>- Overvoltage detection</li> <li>- Over-temperature protected electronics / motor</li> <li>- Line undervoltage detection</li> <li>- Reverse polarity protection</li> </ul>
EMC directives	According to EN 50121-3-2
Motor protection	Thermal overload protector (TOP) wired internally
Cable exit	Variable
Safety classification	<p>I; If a protective earth is connected by the customer</p> <p>This component to be built-in can have several local protection class ratings. The specification refers to the basic design of this component.</p> <p>The final protection class is based on the intended installation and connection of the component.</p>
Product conforming to standard	EN 15085-1, CPC3; EN 45545-2, HL3; EN 50155; EN 61373, Cat. 1B; CE
Approval	EAC
Remark	<p>If voltage (e.g. 230 VAC) is passed through the alarm relay, the SELV signal wires lose their increased insulation, meaning they only have basic insulation</p> <p>The SELV property (increased insulation) is not lost when voltages of up to 110 VDC are passed through the alarm relay.</p>

# EC centrifugal fan - RadiCal

backward curved, single inlet  
for railway applications

## Product drawing



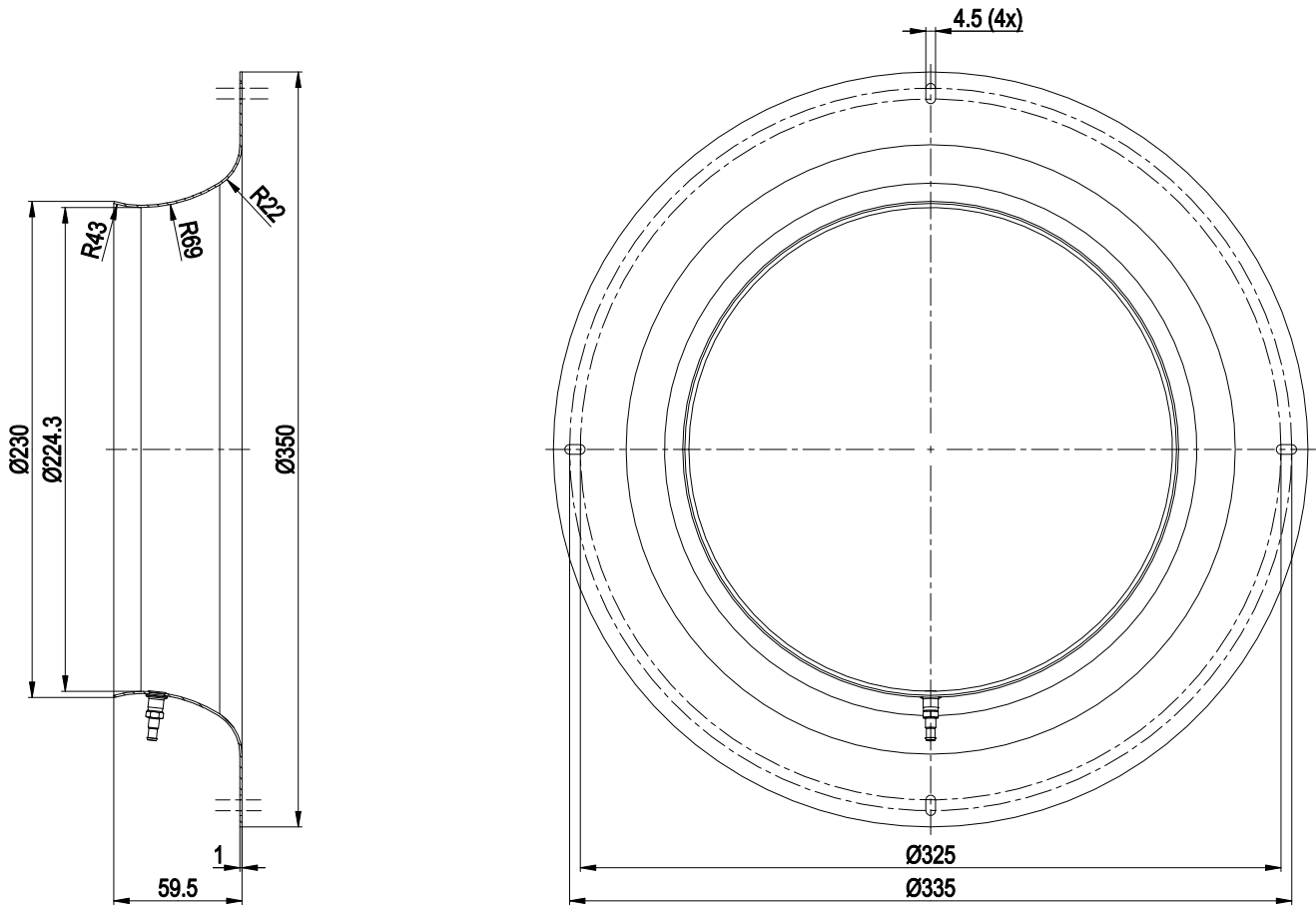
1	Accessory part: Inlet nozzle 35504-2-4013 with pressure tap (k-factor: 128) not included in scope of delivery
2	Thread reach max. 16 mm
3	Connection line, halogen-free, railway application EN 45545, 4G 1.5 mm <sup>2</sup> 3x core-end sleeve, 1x lead not brought out
4	Connection line, halogen-free, railway application EN 45545, 7x 0.5 mm <sup>2</sup> 7x core-end sleeve

# EC centrifugal fan - RadiCal

backward curved, single inlet

for railway applications

## Accessory part



Inlet nozzle 35504-2-4013 with pressure tap (k-factor: 128)

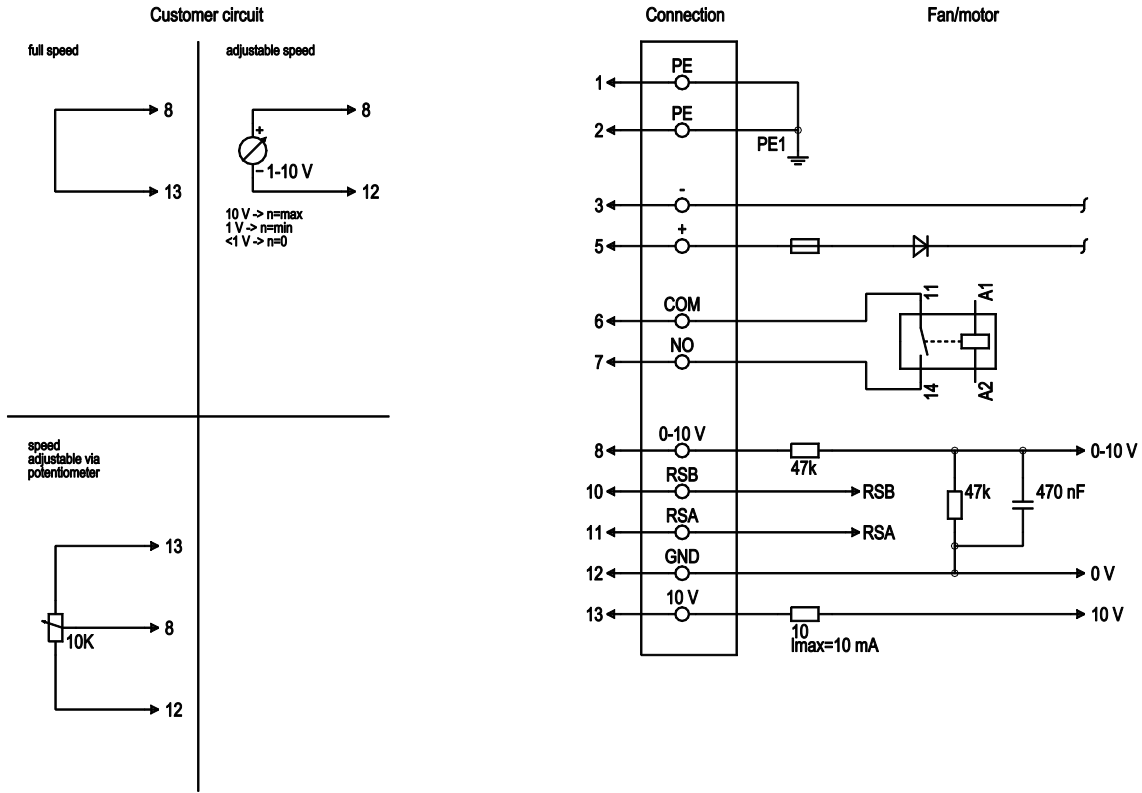


# EC centrifugal fan - RadiCal

backward curved, single inlet

for railway applications

## Connection screen



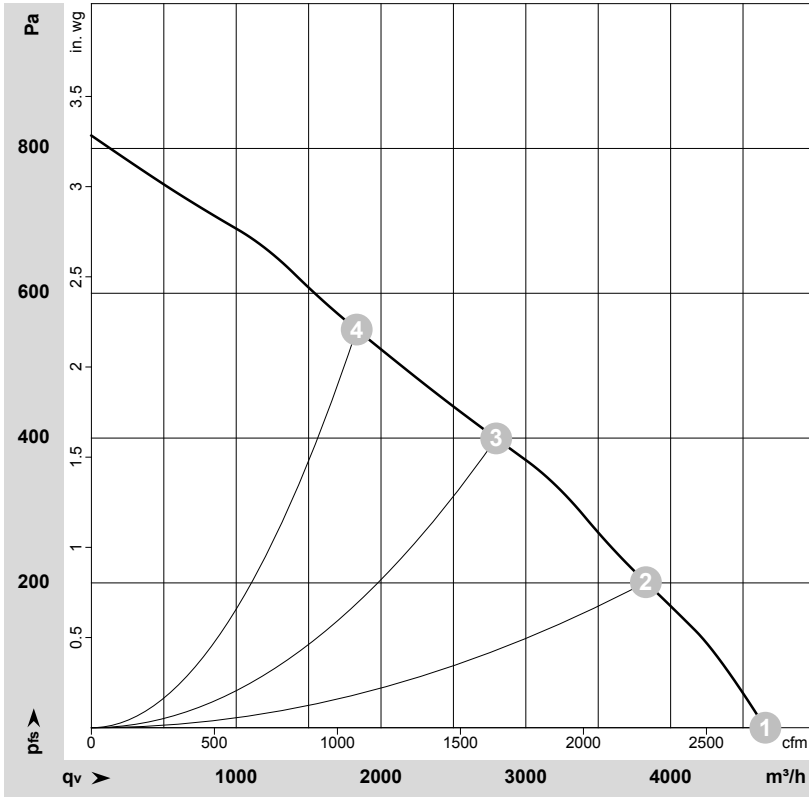
No.	Conn.	Designation	Colour	Function / assignment
1	1	PE	green/yellow	Protective earth
1	2	PE	-	not brought out via lead
1	3	-	black	Power supply, GND, see type plate for voltage range
1	5	+	brown	Power supply, see type plate for voltage range
2	6	COM	grey	Status relay, floating status contact, common connection, contact rating 250 VAC/ 30 VDC max. 2 A (AC1), min. 1 mA/5 VDC, reinforced insulation with respect to control interface, basic insulation on mains side in accordance with EN 50124-1
2	7	NO	orange	Status relay, floating status contact, make contact, contact rating 250 VAC/30 VDC max. 2 A (AC1), min. 1 mA/5 VDC, reinforced insulation with respect to control interface, basic insulation on mains side in accordance with EN 50124-1
2	8	0-10 V	yellow	Analogue input (set value) SELV, 0-10 V, Ri=100kΩ, parametrisable curve
2	10	RSB	brown	RS 485 interface for MODBUS, RSB; SELV, bus termination resistor provided by customer
2	11	RSA	white	RS 485 interface for MODBUS, RSA; SELV, bus termination resistor provided by customer
2	12	GND	blue	Reference ground for control interface; SELV
2	13	+10 V	red	Fixed voltage output 10 VDC, SELV, +10 V +/-3%, max. 10 mA, short-circuit-proof, power supply for external devices (e.g. potentiometers)



# EC centrifugal fan - RadiCal

backward curved, single inlet  
for railway applications

## Charts: Air flow



$\rho = 1.15 \text{ kg/m}^3 \pm 2 \%$

Measurement: LU-194580-1

Air performance measured as per ISO 5801 Installation category A. For detailed information on the measuring set-up, please contact ebmpapst. Suction-side noise levels: LwA measured as per ISO 13347 / LpA measured with 1m distance to fan axis. The values given are valid under the measuring conditions mentioned above and may vary according to the actual installation situation. With any deviation from the standard set-up, the specific values have to be checked and reviewed with the unit installed.

## Measured values

	U	n	P <sub>ed</sub>	I	q <sub>v</sub>	p <sub>fs</sub>	q <sub>v</sub>	p <sub>fs</sub>
	V	min <sup>-1</sup>	W	A	m <sup>3</sup> /h	Pa	cfm	in. wg
1	110	2060	497	4.51	4655	0	2740	0.00
2	110	1935	540	4.90	3830	200	2255	0.80
3	110	1870	540	4.90	2795	400	1645	1.61
4	110	1915	540	4.90	1830	550	1080	2.21

U = Supply voltage · n = Speed (rpm) · P<sub>ed</sub> = Power input · I = Current draw · q<sub>v</sub> = Air flow · p<sub>fs</sub> = Pressure increase

