



R3G355-AI56-25 ebmpapst Datasheet

sales@fansco.com

www.fansco.com

Limited partnership · Headquarters Muldingen
 Amtsgericht (court of registration) Stuttgart · HRA 590344

General partner Elektrobau Muldingen GmbH · Headquarters Muldingen
 Amtsgericht (court of registration) Stuttgart · HRB 590142



Nominal data

Type	R3G355-AI56-25	
Motor	M3G112-EA	
Phase		3~
Nominal voltage	VAC	400
Nominal voltage range	VAC	380 .. 480
Frequency	Hz	50/60
Method of obtaining data		ml
Speed (rpm)	min ⁻¹	2200
Power consumption	W	950
Current draw	A	1.75
Min. ambient temperature	°C	-25
Max. ambient temperature	°C	60

ml = Max. load · me = Max. efficiency · fa = Free air · cs = Customer specification · ce = Customer equipment
 Subject to change

Data according to ErP Directive

		Actual	Req. 2015			
01 Overall efficiency η_{es}	%	59.9	51	09 Power consumption P_{ed}	kW	0.9
02 Measurement category		A		09 Air flow q_v	m ³ /h	2805
03 Efficiency category		Static		09 Pressure increase p_{fs}	Pa	642
04 Efficiency grade N		70.9	62	10 Speed (rpm) n	min ⁻¹	2220
05 Variable speed drive		Yes		11 Specific ratio*		1.01

Data obtained at optimum efficiency level.

The ErP data is determined using a motor-impeller combination in a standardized measurement setup.

* Specific ratio = $1 + p_{fs} / 100\,000\text{ Pa}$

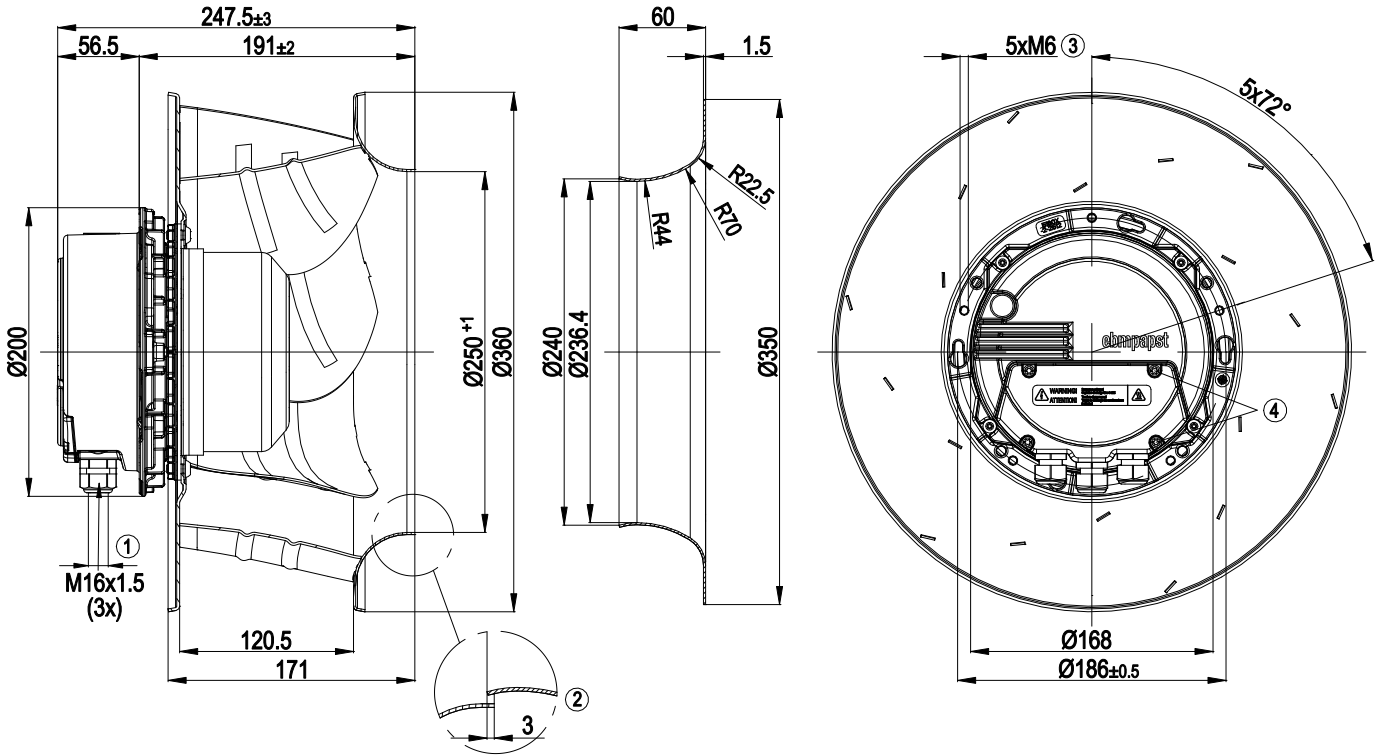
LU-78488



Technical description

Weight	8.14 kg
Fan size	355 mm
Rotor surface	Painted black
Electronics housing material	Die-cast aluminum
Impeller material	Sheet aluminum
Number of blades	6
Direction of rotation	Clockwise, viewed toward rotor
Degree of protection	IP54
Insulation class	"B"
Moisture (F) / Environmental (H) protection class	F4-1
Max. permitted ambient temp. for motor (transport/storage)	+80 °C
Min. permitted ambient temp. for motor (transport/storage)	-40 °C
Installation position	Shaft horizontal or rotor on bottom; rotor on top on request
Condensation drainage holes	On rotor side
Mode	S1
Motor bearing	Ball bearing
Technical features	<ul style="list-style-type: none"> - Output 10 VDC, max. 10 mA - Output 20 VDC, max. 50 mA - Output for slave 0-10 V - Input for sensor 0-10 V or 4-20 mA - External 24 V input (parameter setting) - Alarm relay - Integrated PID controller - Cable break detection with control line - Motor current limitation - PFC, passive - RS-485 ebmBUS - Soft start - Control input 0-10 VDC / PWM - Thermal overload protection for electronics/motor - Line undervoltage / phase failure detection
EMC immunity to interference	According to EN 61000-6-2 (industrial environment)
EMC circuit feedback	According to EN 61000-3-2/3
EMC interference emission	According to EN 61000-6-3 (household environment)
Touch current according to IEC 60990 (measuring circuit Fig. 4, TN system)	<= 3.5 mA
Electrical hookup	Via terminal box
Motor protection	Thermal overload protector (TOP) internally connected
Protection class	I (with customer connection of protective earth)
Conformity with standards	CE
Approval	CCC; EAC

Product drawing



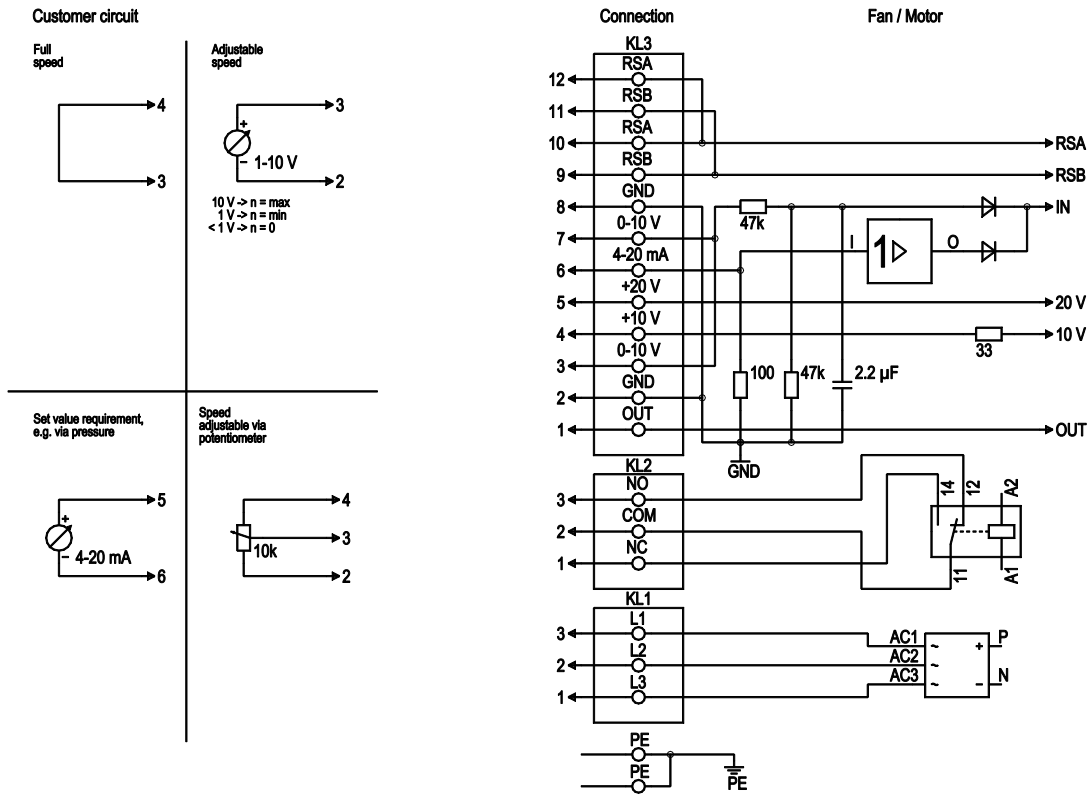
1	Cable diameter min. 4 mm, max. 10 mm; tightening torque 2.5 ± 0.4 Nm
2	Accessory part: Inlet ring: 35560-2-4013 not included in scope of delivery, other inlet rings on request
3	Clearance for screw 12-16 mm
4	Tightening torque 3.5 ± 0.5 Nm



EC centrifugal fan

backward-curved, single-intake

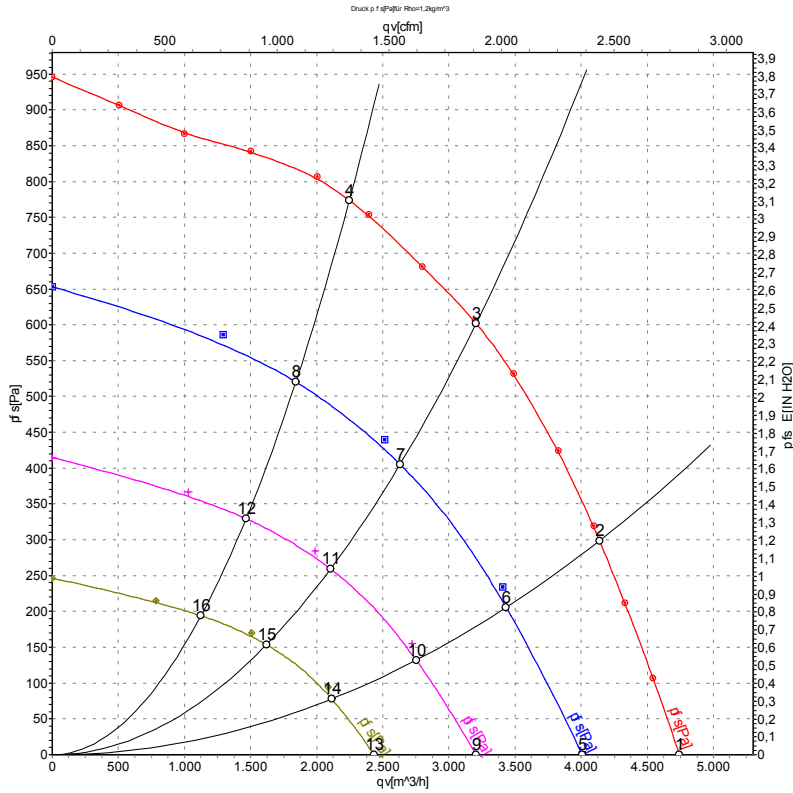
Connection diagram



No.	Conn.	Designation	Function/assignment
PE		PE	Protective earth terminal
KL1	1, 2, 3	L1, L2, L3	Power supply 50/60 Hz
KL2	1	NC	Floating status contact, break for failure or n < 60 rpm
KL2	2	COM	Floating status contact, changeover contact, common connection (2 A, max. 250 VAC, min. 10 mA, AC1)
KL2	3	NO	Floating status contact, make for failure or n < 60 rpm
KL3	1	OUT	Analog output, 0-10 VDC, max. 3 mA, SELV, output of current motor modulation level: 1 V corresponds to 10% modulation level. 10 V corresponds to 100% modulation level.
KL3	2, 8	GND	Reference ground for control interface, SELV
KL3	3, 7	0-10 V	Use control / current sensor value input 0-10 VDC, impedance 100 kΩ only as alternative to 4-20 mA input, SELV
KL3	4	+10 V	Voltage output 10 VDC (±3%), max. 10 mA, power supply for external devices (e.g. potentiometers), SELV
KL3	5	+20 V	Voltage output 20 VDC (+25%/-10%), max. 50 mA, power supply for external devices (e.g. sensors), SELV
KL3	6	4-20 mA	Use control / current sensor value input 4-20 mA, impedance 100 Ω only as alternative to 0-10 V input, SELV
KL3	9, 11	RSB	RS485 interface for ebmBUS, RSB, SELV
KL3	10, 12	RSA	RS485 interface for ebmBUS, RSA, SELV



Curves: Air performance 50 Hz



Measurement: LU-78488-1
 Measurement: LU-120618-1
 Measurement: LU-120619-1
 Measurement: LU-120620-1

Air performance measured according to ISO 5801 installation category A. For detailed information on the measurement setup, contact ebmpapst. Intake sound level: Sound power level according to ISO 13347 / sound pressure level measured at 1 m distance from fan axis. The values given are valid under the specified measuring conditions and may vary due to conditions of installation. For deviations from the standard configuration, the parameters have to be checked on the installed unit.

Measured values

	U	f	n	P _{ed}	I	LpA _{in}	LwA _{in}	LwA _{out}	qv	P _{fs}	qv	P _{fs}
	V	Hz	min ⁻¹	W	A	dB(A)	dB(A)	dB(A)	m ³ /h	Pa	CFM	inH ₂ O
1	400	50	2200	690	1.35	81	88	94	4745	0	2790	0.00
2	400	50	2200	859	1.61	77	84	90	4140	300	2435	1.20
3	400	50	2200	950	1.75	73	80	86	3205	600	1885	2.41
4	400	50	2200	851	1.61	76	83	88	2245	775	1325	3.11
5	400	50	1825	386	0.72	74	81	87	4010	0	2360	0.00
6	400	50	1825	476	0.87	70	77	84	3430	224	2020	0.90
7	400	50	1825	502	0.90	67	74	80	2630	414	1550	1.66
8	400	50	1825	462	0.84	69	76	82	1840	520	1085	2.09
9	400	50	1450	206	0.43	67	73	79	3205	0	1885	0.00
10	400	50	1450	251	0.51	64	71	77	2750	145	1620	0.58
11	400	50	1450	265	0.53	61	67	73	2105	264	1240	1.06
12	400	50	1450	244	0.49	62	69	74	1465	329	865	1.32
13	400	50	1100	106	0.26	58	65	71	2435	0	1435	0.00
14	400	50	1100	123	0.29	56	63	68	2115	87	1245	0.35
15	400	50	1100	126	0.29	53	60	66	1620	156	955	0.63
16	400	50	1100	118	0.28	54	61	67	1125	194	660	0.78

U = Power supply · f = Frequency · n = Speed (rpm) · P_{ed} = Power consumption · I = Current draw · LpA_{in} = Sound pressure level intake side · LwA_{in} = Sound power level intake side
 LwA_{out} = Sound power level outlet side · qv = Air flow · P_{fs} = Pressure increase

