

R3G310-RR05-H8 ebmpapst Datasheet

sales@fansco.com

www.fansco.com

Limited partnership · Headquarters Mulfingen

Amtsgericht (court of registration) Stuttgart · HRA 590344

General partner Elektrobau Mulfingen GmbH · Headquarters Mulfingen

Amtsgericht (court of registration) Stuttgart · HRB 590142

## Nominal data

Type	R3G310-RR05-H8	
Motor	M3G084-DF	
Phase		1~
Nominal voltage	VAC	230
Nominal voltage range	VAC	200 .. 277
Frequency	Hz	50/60
Method of obtaining data		ml
Speed (rpm)	min <sup>-1</sup>	2250
Power consumption	W	500
Current draw	A	2.2
Min. ambient temperature	°C	-25
Max. ambient temperature	°C	60

ml = Max. load · me = Max. efficiency · fa = Free air · cs = Customer specification · ce = Customer equipment  
Subject to change

## Data according to Commission Regulation (EU) 327/2011

		Actual	Req. 2015			
01 Overall efficiency $\eta_{es}$	%	63.9	48.2	09 Power consumption $P_{ed}$	kW	0.49
02 Measurement category		A		09 Air flow $q_v$	m <sup>3</sup> /h	2005
03 Efficiency category		Static		09 Pressure increase $p_{fs}$	Pa	508
04 Efficiency grade N		77.7	62	10 Speed (rpm) n	min <sup>-1</sup>	2255
05 Variable speed drive		Yes		11 Specific ratio*		1.01

Data obtained at optimum efficiency level.

The ErP data is determined using a motor-impeller combination in a standardized measurement setup.

\* Specific ratio =  $1 + p_{fs} / 100\,000\text{ Pa}$ 

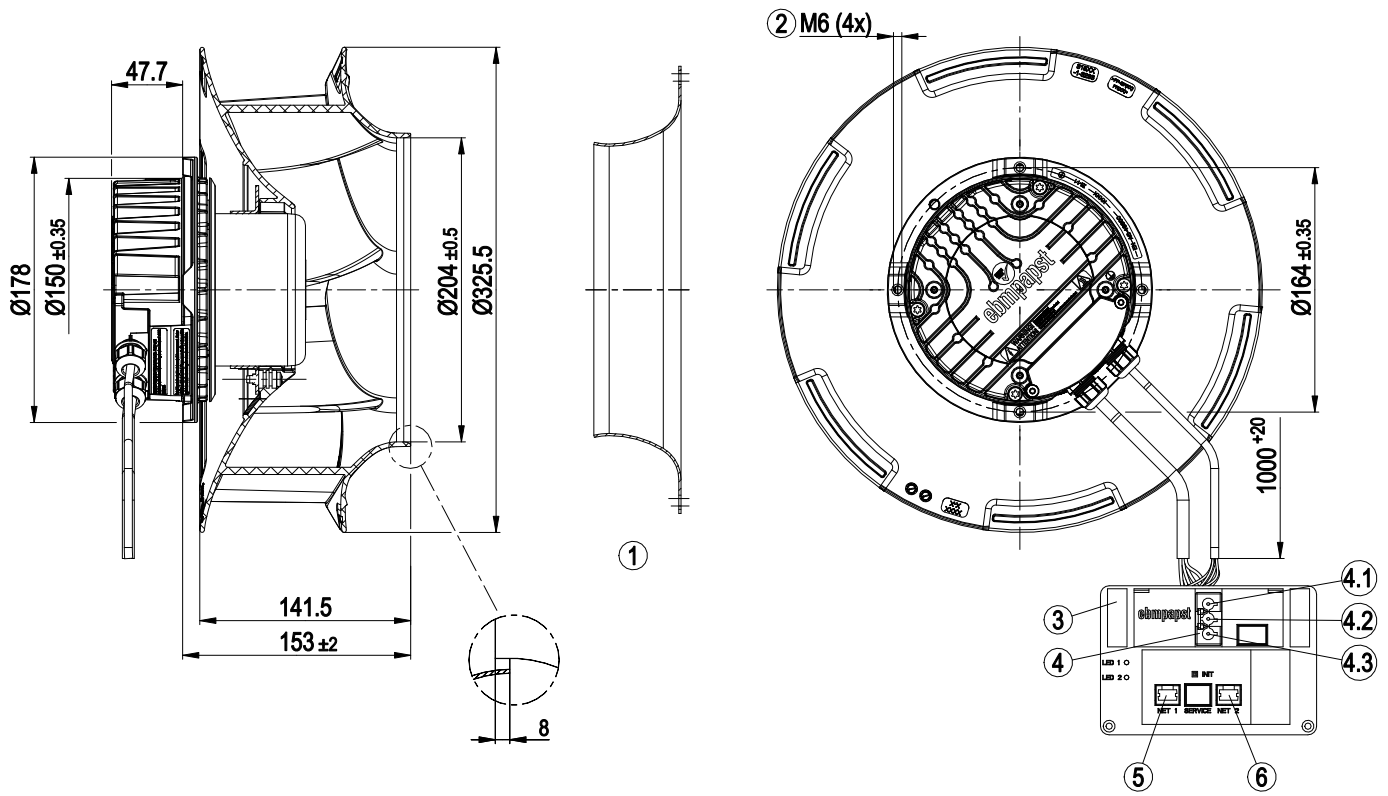
LU-165322



## Technical description

Weight	4.8 kg
Size	310 mm
Motor size	84
Rotor surface	Painted black
Electronics housing material	Die-cast aluminum
Impeller material	PP plastic
Number of blades	6
Direction of rotation	Clockwise, viewed toward rotor
Degree of protection	Motor IP55, electronics IP20
Insulation class	"F"
Moisture (F) / Environmental (H) protection class	H0 - dry environment
Max. permitted ambient temp. for motor (transport/storage)	+80 °C
Min. permitted ambient temp. for motor (transport/storage)	-40 °C
Installation position	Shaft horizontal or rotor on bottom; rotor on top on request
Condensation drainage holes	On rotor side
Mode	S1
Motor bearing	Ball bearing
Technical features	<ul style="list-style-type: none"> <li>- Output 10 VDC, max. 10 mA</li> <li>- Operation and alarm display with LED</li> <li>- Alarm relay</li> <li>- Integrated PID controller</li> <li>- Power limiter</li> <li>- Motor current limitation</li> <li>- PFC, active</li> <li>- RS-485 MODBUS-RTU</li> <li>- Soft start</li> <li>- Control input 0-10 VDC / PWM</li> <li>- Control interface with SELV potential safely disconnected from the mains</li> <li>- Thermal overload protection for electronics/motor</li> <li>- Line undervoltage / phase failure detection</li> </ul>
EMC immunity to interference	According to EN 61000-6-2 (industrial environment)
EMC circuit feedback	According to EN 61000-3-2/3
EMC interference emission	According to EN 61000-6-3 (household environment)
Touch current according to IEC 60990 (measuring circuit Fig. 4, TN system)	<= 3.5 mA
Electrical hookup	Connector with cable
Motor protection	Thermal overload protector (TOP) internally connected
With cable	Variable
Protection class	I (with customer connection of protective earth)
Conformity with standards	EN 61800-5-1; EN 60335-1; CE
Approval	CSA C22.2 No. 77 + CAN/CSA-E60730-1; UL 1004-7 + 60730; EAC

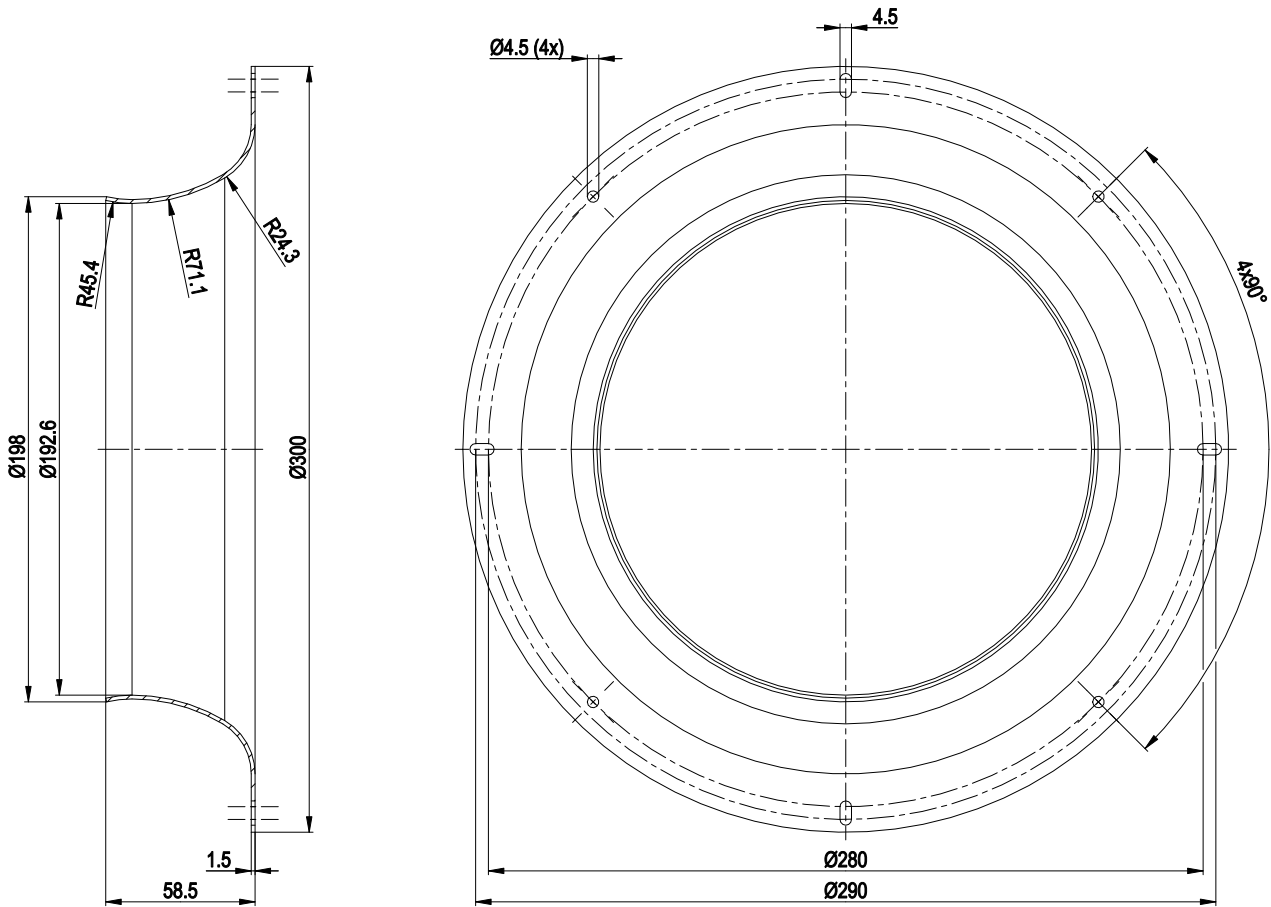
Product drawing



1	Accessory part: inlet ring 31000-2-4013 not included in scope of delivery
2	Max. clearance for screw 16 mm
3	Terminal box
4	Connector housing 3-pole GST18/3 Wieland 92.032.9058.1
4.1	N
4.2	PE
4.3	L
5	8-pole socket housing tyco 100616-2
6	8-pole socket housing tyco 100616-2

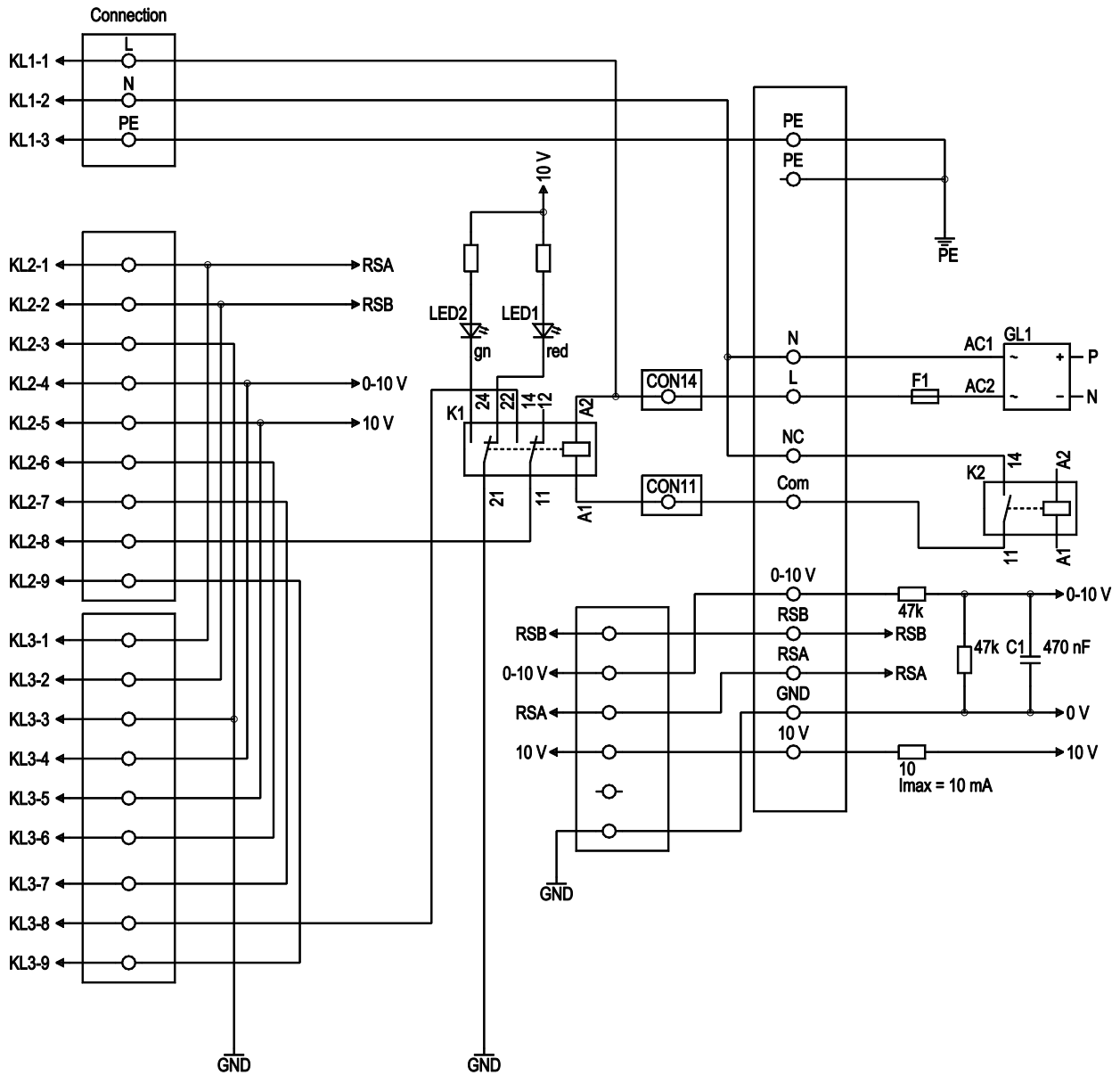


## Accessory part



Accessory part: inlet ring 31000-2-4013 not included in scope of delivery

## Connection diagram



No.	Conn.	Designation	Color	Function/assignment
1	1	L	black	Supply connection, power supply single-phase 200-277 VAC, 50/60 Hz
1	2	N	blue	Power supply, single-phase 200-277 VAC, 50/60 Hz
1	3	PE	green/yellow	Ground connection
2	1	RSA	-	Bus connection RS485, RSA, MODBUS-RTU; SELV
2	2	RSB	-	Bus connection RS485, RSB, MODBUS-RTU; SELV
2	3	GND	-	Reference ground for control interface; SELV
2	4	0-10 V	-	Control input
2	5	+10 V	-	Fixed voltage output 10 VDC
2	6	RES	-	Reserve
2	7	COM*	-	Alarm COM*
2	8	NC	-	NC KL2 UMAX 24 V
2	9	Schirm	-	Shield



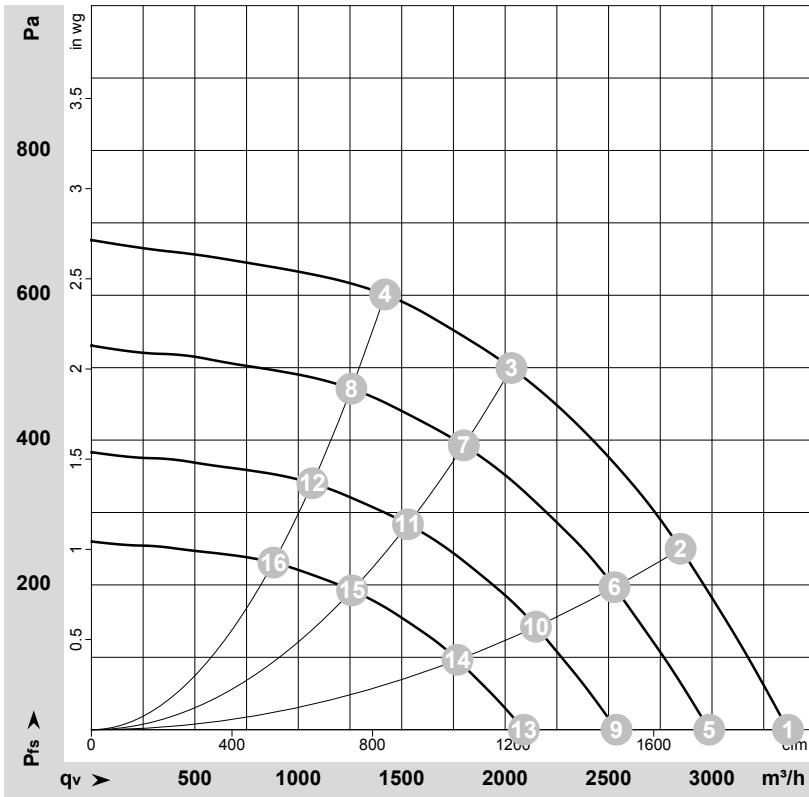
# EC centrifugal fan - RadiCal

backward-curved, single-intake

No.	Conn.	Designation	Color	Function/assignment
3	1	RSA	-	Bus connection RS485, RSA, MODBUS-RTU; SELV
3	2	RSB	-	Bus connection RS485, RSB, MODBUS-RTU; SELV
3	3	GND	-	Reference ground for interface; SELV
3	4	0-10 V	-	Control input
3	5	+10 V	-	Fixed voltage output 10 VDC
3	6	RES	-	Reserve
3	7	COM*	-	Alarm COM*
3	8	NC*	-	NC* KL3 UMAX 24 V
3	9	Schirm	-	Shield



## Curves: Air performance 50 Hz



$\rho = 1.15 \text{ kg/m}^3 \pm 2 \%$

Measurement: LU-165322-1

Air performance measured according to ISO 5801 installation category A. For detailed information on the measurement setup, contact ebmpapst. Intake sound level: Sound power level according to ISO 13347 / sound pressure level measured at 1 m distance from fan axis. The values given are valid under the specified measuring conditions and may vary due to conditions of installation. For deviations from the standard configuration, the parameters have to be checked on the installed unit.

## Measured values

	U	f	n	P <sub>ed</sub>	I	q <sub>v</sub>	P <sub>fs</sub>	q <sub>v</sub>	P <sub>fs</sub>
	V	Hz	min <sup>-1</sup>	W	A	m <sup>3</sup> /h	Pa	cfm	in. wg
1	230	50	2250	327	1.44	3365	0	1980	0.00
2	230	50	2250	422	1.85	2850	250	1675	1.00
3	230	50	2250	500	2.20	2030	500	1195	2.01
4	230	50	2250	449	1.97	1420	600	835	2.41
5	230	50	2000	228	1.01	2985	0	1760	0.00
6	230	50	2000	295	1.29	2530	197	1490	0.79
7	230	50	2000	342	1.50	1800	393	1060	1.58
8	230	50	2000	312	1.37	1255	471	740	1.89
9	230	50	1700	140	0.62	2540	0	1495	0.00
10	230	50	1700	181	0.79	2150	142	1265	0.57
11	230	50	1700	210	0.92	1530	284	900	1.14
12	230	50	1700	191	0.84	1070	340	630	1.36
13	230	50	1400	78	0.35	2090	0	1230	0.00
14	230	50	1400	101	0.44	1770	97	1040	0.39
15	230	50	1400	117	0.51	1260	193	740	0.77
16	230	50	1400	107	0.47	880	231	520	0.93

U = Voltage · f = Frequency · n = Speed (rpm) · P<sub>ed</sub> = Power consumption · I = Current draw · q<sub>v</sub> = Air flow · p<sub>s</sub> = Pressure increase

