

R3G310-RNA9-01 ebmpapst Datasheet

sales@fansco.com

www.fansco.com

Limited partnership · Headquarters Muldingen
County court Stuttgart · HRA 590344

General partner Elektrobau Muldingen GmbH · Headquarters Muldingen
County court Stuttgart · HRB 590142



Nominal data

Type	R3G310-RNA9-01	
Motor	M3G074-CF	
Nominal voltage	VDC	24
Nominal voltage range	VDC	16 .. 28
Type of data definition		fa
Speed	min ⁻¹	1640
Power input	W	125
Current draw	A	5.2
Min. ambient temperature	°C	-25
Max. ambient temperature	°C	+60

ml = max. load · me = max. efficiency · fa = running at free air · cs = customer specs · cu = customer unit
Subject to alterations

Data according to ErP directive

Installation category	A
Efficiency category	Static
Variable speed drive	Yes
Specific ratio*	1.00

* Specific ratio = $1 + p_b / 100\,000\text{ Pa}$

		Actual	Request 2013	Request 2015
Overall efficiency η_{es}		64.5	39.1	43.1
Efficiency grade N		83.4	58	62
Power input P_e	kW	0.16		
Air flow q_v	m ³ /h	1405		
Pressure increase p_{fs}	Pa	236		
Speed n	min ⁻¹	1545		

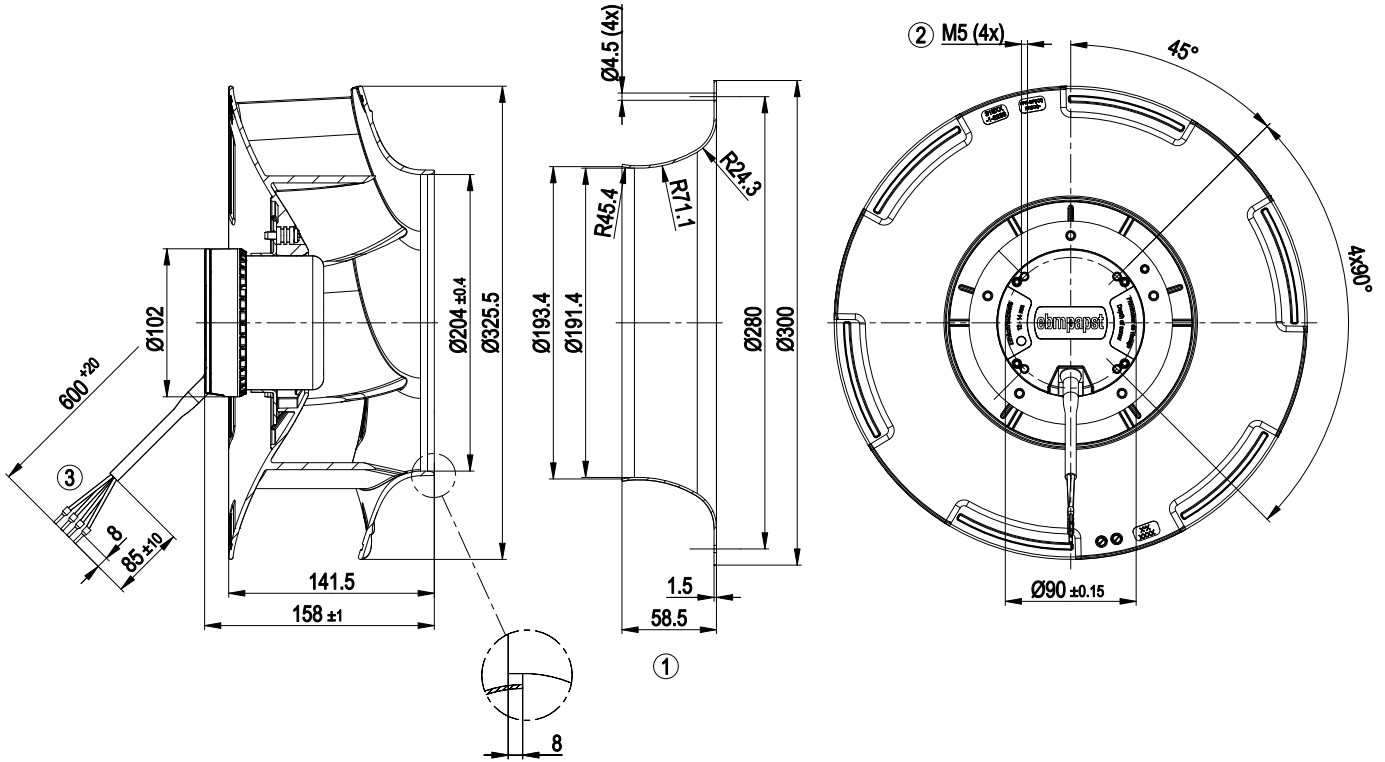
Data established at point of optimum efficiency



Technical features

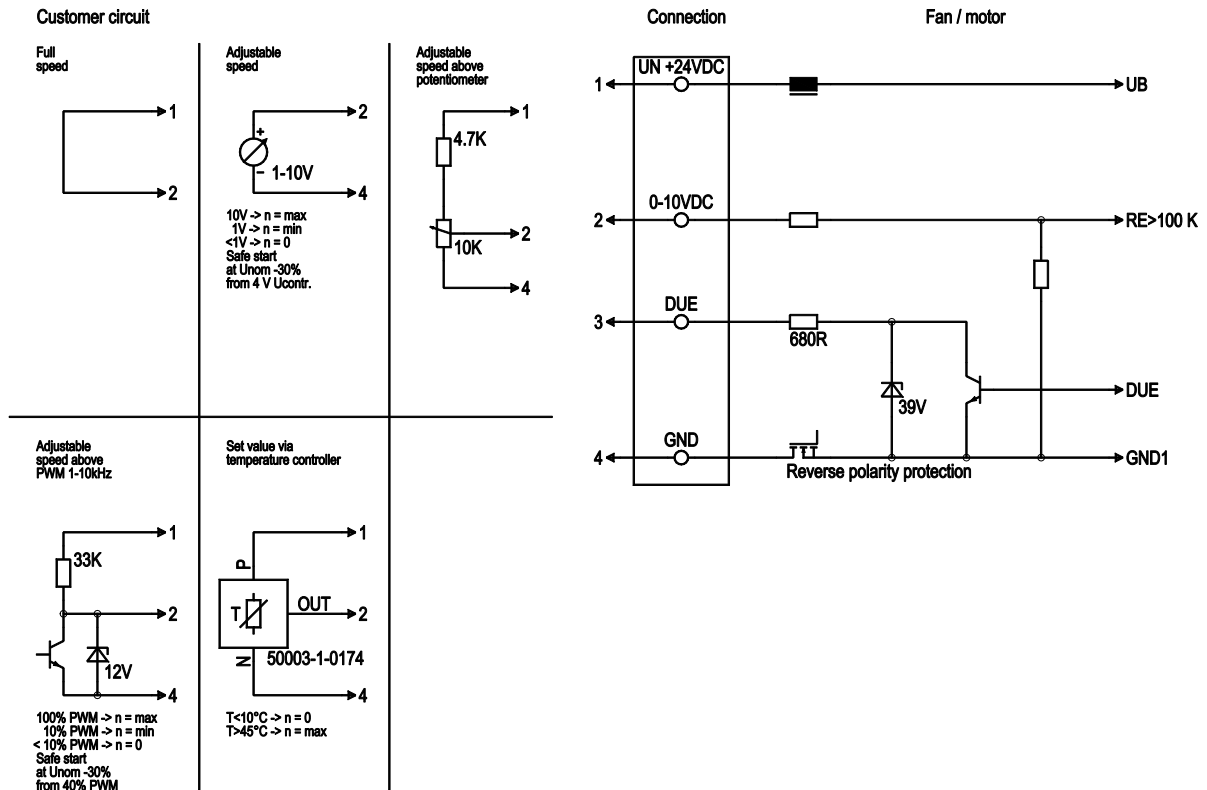
Mass	2.83 kg
Size	310 mm
Surface of rotor	Coated in black
Material of impeller	PP plastic
Number of blades	6
Direction of rotation	Clockwise, seen on rotor
Type of protection	IP 44
Insulation class	"B"
Humidity class	F3-1
Max. permissible ambient motor temp. (transp./ storage)	+80 °C
Min. permissible ambient motor temp. (transp./storage)	-40 °C
Mounting position	Any
Condensate discharge holes	None
Operation mode	S1
Motor bearing	Ball bearing
Technical features	<ul style="list-style-type: none"> - Tach output - Motor current limit - Soft start - Control input 0-10 VDC / PWM - Over-temperature protected electronics
EMC interference immunity	Acc. to EN 61000-6-2 (industrial environment)
EMC interference emission	Acc. to EN 55022 (Class B, household environment)
Motor protection	Reverse polarity and locked-rotor protection
Cable exit	Variable
Protection class	I (if protective earth is connected by customer at the connection point of the housing)
Product conforming to standard	EN 60950-1

Product drawing



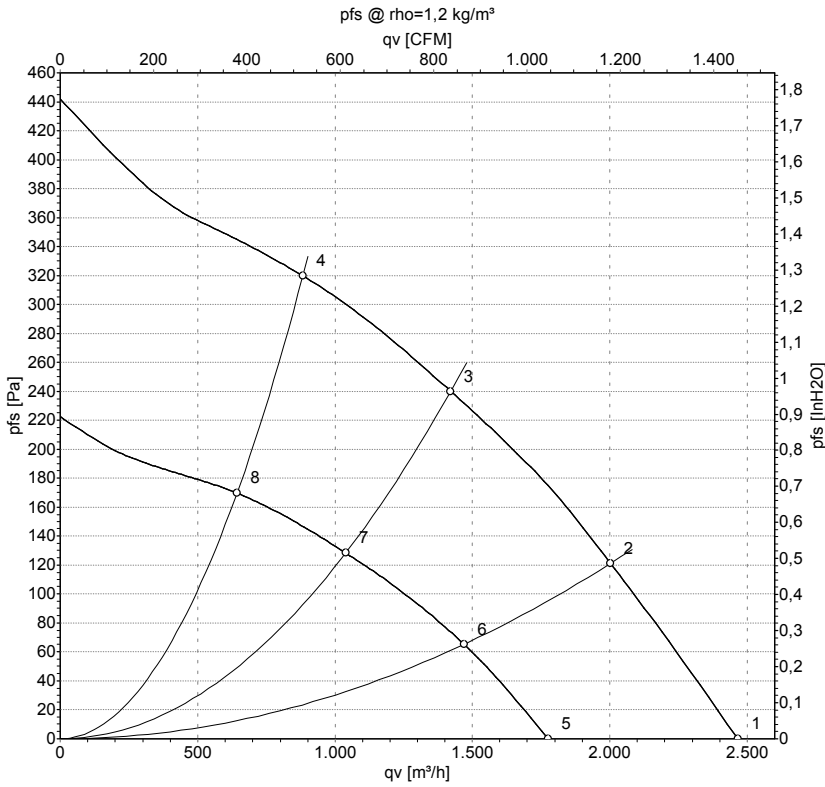
1	Accessory part: Inlet nozzle 31000-2-4013, not included in the standard scope of delivery
2	Connection line PVC AWG 16, 4x crimped core-end sleeves
3	Depth of screw max. 12 - 14 mm

Connection screen



Line	No.	Signal	Colour	Function / assignment
	1	Un +24 VDC	red	Power supply 24 VDC, residual ripple 3.5 %
	2	0-10 VDC	yellow	Control input Re>100 K
	3	Tach	white	Speed monitoring output, 3 pulses per revolution, Isink max = 10 mA
	4	GND	blue	Reference mass

Charts: Air flow



Measurement: LU-139979
Measurement: LU-139981

Air performance measured as per ISO 5801 Installation category A. For detailed information on the measuring set-up, please contact ebm-papst. Suction-side noise levels: LwA measured as per ISO 13347 / LpA measured with 1m distance to fan axis. The values given are valid under the measuring conditions mentioned above and may vary according to the actual installation situation. With any deviation from the standard set-up, the specific values have to be checked and reviewed with the unit installed.

Measured values

	U	n	P _{ed}	I	LpA _{in}	LwA _{in}	qv	p _{fs}
	V	min ⁻¹	W	A	dB(A)	dB(A)	m ³ /h	Pa
1	24-28	1640	125	5.20*	64	71	2465	0
2	24-28	1575	150	6.26*	57	64	2005	120
3	24-28	1545	163	6.78*	53	60	1420	240
4	24-28	1585	152	6.35*	57	65	885	320
5	16	1205	51	3.18			1775	0
6	16	1160	60	3.77			1470	66
7	16	1140	65	4.07			1040	128
8	16	1165	60	3.77			645	170

U = Supply voltage · n = Speed · P_{ed} = Power input · I = Current draw · * = Current measured at rated voltage · LpA_{in} = Sound pressure level inlet side · LwA_{in} = Sound power level inlet side
qv = Air flow · p_{fs} = Pressure increase

