

R3G280-RC02-12 ebmpapst Datasheet
 sales@fansco.com
 www.fansco.com

Limited partnership · Headquarters Muldingen
 Amtsgericht (court of registration) Stuttgart · HRA 590344
 General partner Elektrobau Muldingen GmbH · Headquarters Muldingen
 Amtsgericht (court of registration) Stuttgart · HRB 590142

Nominal data

Type	R3G280-RC02-12	
Motor	M3G074-CF	
Phase		1~
Nominal voltage	VAC	230
DC-link voltage	V	350
Method of obtaining data		ml
Speed (rpm)	min ⁻¹	1915
Power consumption	W	190
Current draw	A	1.6
Min. ambient temperature	°C	-25
Max. ambient temperature	°C	60

ml = Max. load · me = Max. efficiency · fa = Free air · cs = Customer specification · ce = Customer equipment
 Subject to change

Connection condition: inverter operated

THD value of the currents < 4%;
 The motor is not provided with overheating protection at the factory

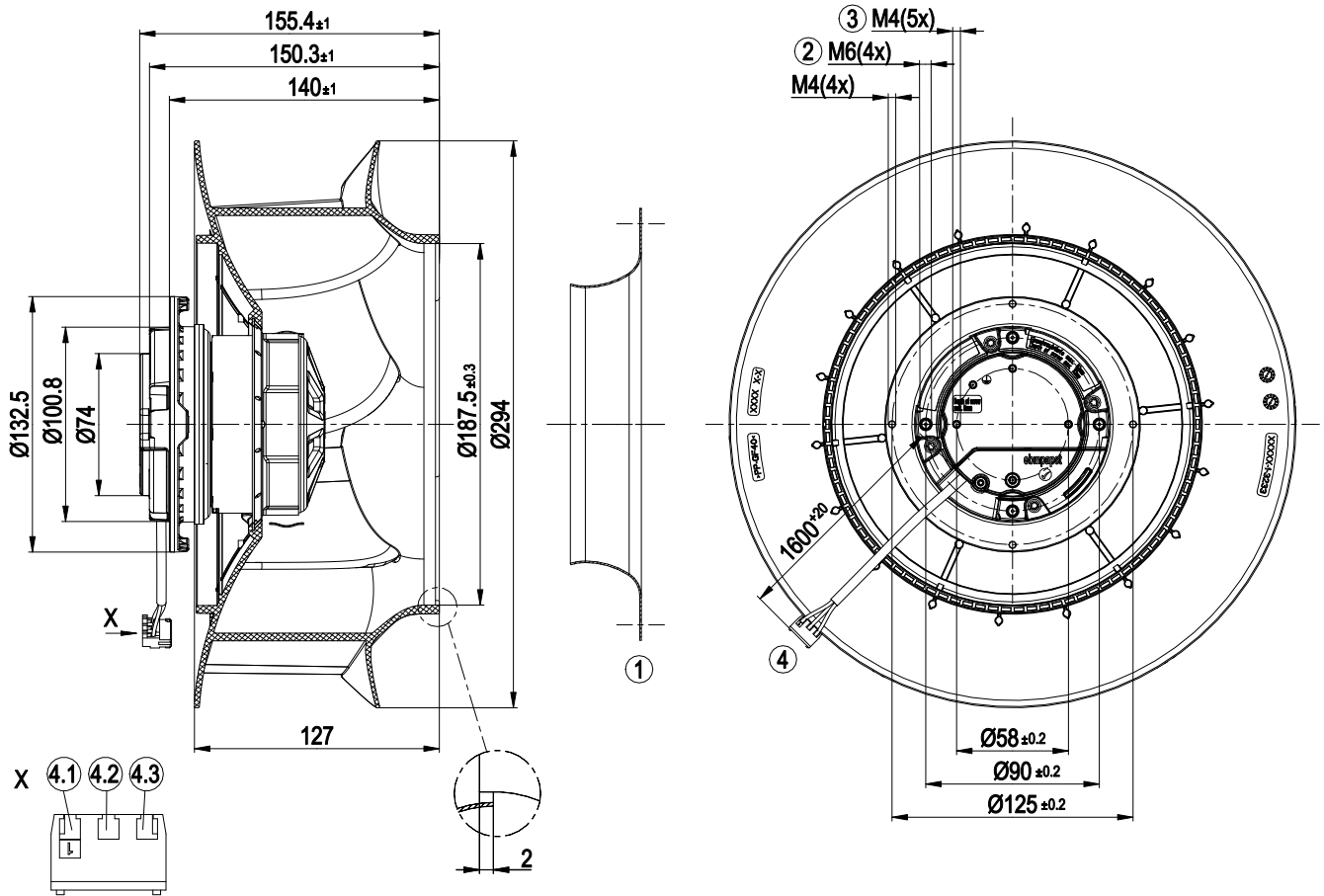


Technical description

Weight	2.7 kg
Size	280 mm
Motor size	74
Rotor surface	Unpainted
Impeller material	PP plastic
Number of blades	6
Direction of rotation	Clockwise, viewed toward rotor
Degree of protection	IP23
Insulation class	"B"
Moisture (F) / Environmental (H) protection class	H1
Max. permitted ambient temp. for motor (transport/storage)	+ 80 °C
Min. permitted ambient temp. for motor (transport/storage)	- 40 °C
Installation position	Shaft horizontal or rotor on bottom; rotor on top on request
Condensation drainage holes	None, open rotor
Cooling hole/opening	On rotor side
Mode	S1
Motor bearing	Ball bearing made of stainless steel; (sealed, without air gap)
EMC immunity to interference	According to EN 61000-6-2 (industrial environment)
EMC interference emission	According to EN 61000-6-4 (industrial environment)
Touch current according to IEC 60990 (measuring circuit Fig. 4, TN system)	<= 3.5 mA
With cable	Variable
Protection class	I (if protective earth is connected by customer to the housing's connection point)
Conformity with standards	EN 60034-1; EN 60204-1; EN 60335-1; CE



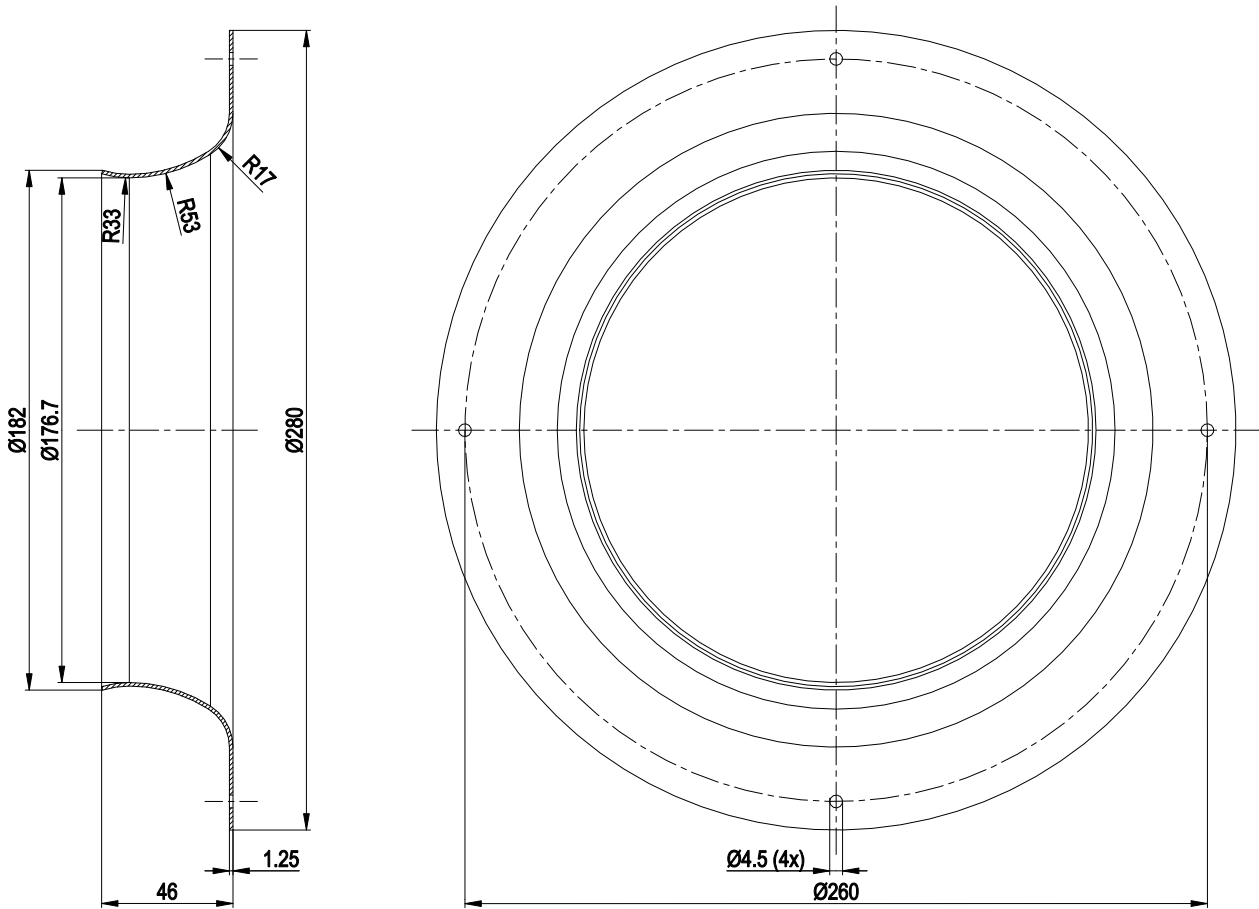
Product drawing



1	Accessory part: Inlet ring 28000-2-4013 not included in scope of delivery, other inlet rings on request
2	Max. clearance for screw 10 mm
3	Max. clearance for screw 5 mm
4	Cable PVC 3X 0.5 mm ² , 3-pole connector housing Lumberg 357099 03 K02M09
4.1	N (blue)

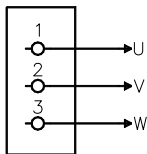


Accessory part



Accessory part: inlet ring 28000-2-4013 not included in scope of delivery

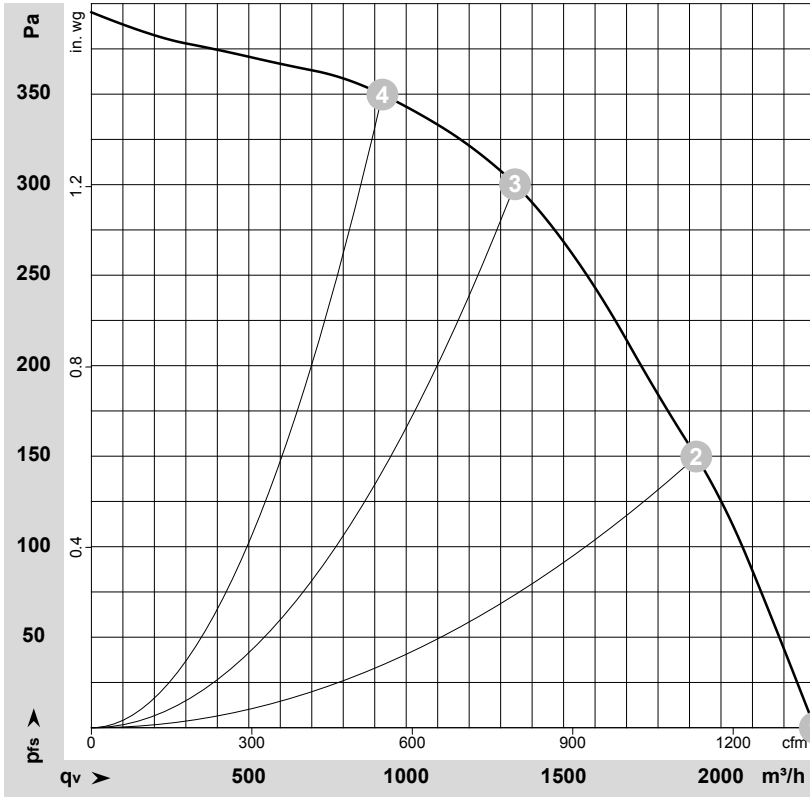
Connection diagram



No.	Conn.	Designation	Color	Function/assignment
				Star connection
1			brown	Coil connection U
2			black	Coil connection V
3			blue	Coil connection W



Curves: Air performance 50 Hz



$\rho = 1.15 \text{ kg/m}^3 \pm 2 \%$

Measurement: LU-190855-1

Air performance measured according to ISO 5801 installation category A. For detailed information on the measurement setup, contact ebmpapst. Intake sound level: Sound power level according to ISO 13347 / sound pressure level measured at 1 m distance from fan axis. The values given are valid under the specified measuring conditions and may vary due to conditions of installation. For deviations from the standard configuration, the parameters have to be checked on the installed unit.

Measured values

	Wired	U	f	n	P _{ed}	I	q _v	p _{fs}	q _v	p _{fs}
		V	Hz	min ⁻¹	W	A	m ³ /h	Pa	cfm	in. wg
1	1~	230	50	1915	133	1.17	2300	0	1355	0.00
2	1~	230	50	1915	173	1.46	1920	150	1130	0.60
3	1~	230	50	1915	190	1.60	1345	300	790	1.20
4	1~	230	50	1915	172	1.45	925	350	545	1.41

Wired = Wiring · U = Voltage · f = Frequency · n = Speed (rpm) · P_{ed} = Power consumption · I = Current draw · q_v = Air flow · p_{fs} = Pressure increase

