

R3G280-AP03-15 ebmpapst Datasheet FansCo

sales@fansco.com

www.fansco.com

Nominal data

Type	R3G280-AP03-15	
Motor	M3G055-DF	
Phase		1~
Nominal voltage	VAC	230
Nominal voltage range	VAC	200 .. 240
Frequency	Hz	50/60
Method of obtaining data		ml
Speed (rpm)	min ⁻¹	1220
Power consumption	W	74
Current draw	A	0.64
Min. ambient temperature	°C	-25
Max. ambient temperature	°C	55

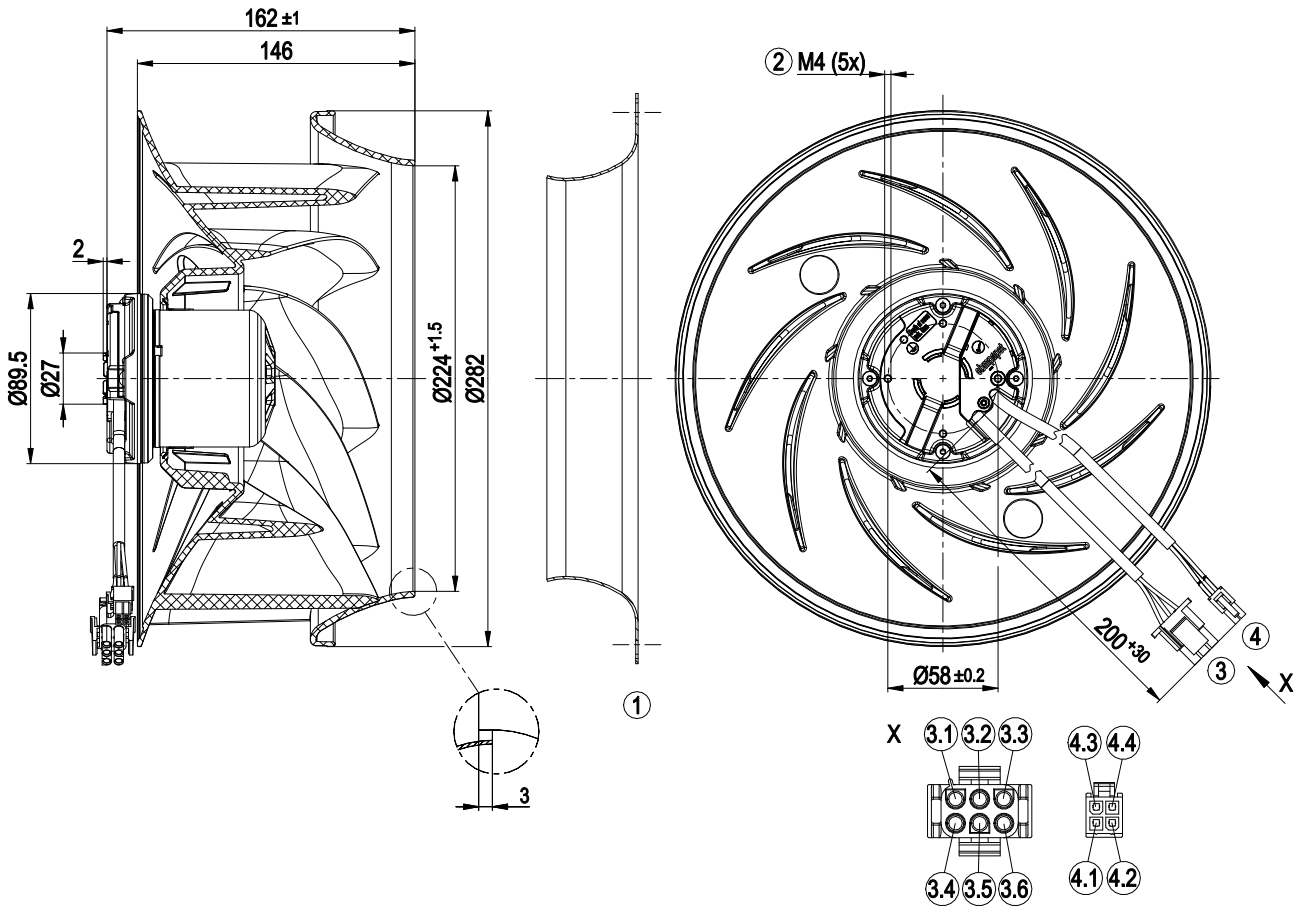
ml = Max. load · me = Max. efficiency · fa = Free air · cs = Customer specification · ce = Customer equipment
Subject to change



Technical description

Weight	2.6 kg
Size	280 mm
Motor size	55
Rotor surface	Thick-film passivated
Impeller material	PA plastic
Number of blades	9
Direction of rotation	Counterclockwise, viewed toward rotor
Degree of protection	IP54
Insulation class	"B"
Moisture (F) / Environmental (H) protection class	H1
Max. permitted ambient temp. for motor (transport/storage)	+ 80 °C
Min. permitted ambient temp. for motor (transport/storage)	- 40 °C
Installation position	Any
Condensation drainage holes	None, open rotor
Mode	S1
Motor bearing	Ball bearing
Technical features	<ul style="list-style-type: none"> - Output 10 VDC, max. 1.1 mA - Fault output (open collector) - Power limiter - Motor current limitation - Soft start - Control input 0-10 VDC / PWM - Control interface with SELV potential safely disconnected from the mains - Overvoltage detection - Thermal overload protection for electronics/motor - Line undervoltage detection
Touch current according to IEC 60990 (measuring circuit Fig. 4, TN system)	<= 3.5 mA
Electrical hookup	Connector with cable
Motor protection	Electronic motor protection
With cable	Variable
Protection class	I (with customer connection of protective earth)
Conformity with standards	EN 60034-1; EN 60204-1; EN 60335-1; CE
Comment on CE	Ecodesign Directive 2009/125/EC + Fan Directive (EC) No. 327/2011 does not apply, as power consumption <125W.

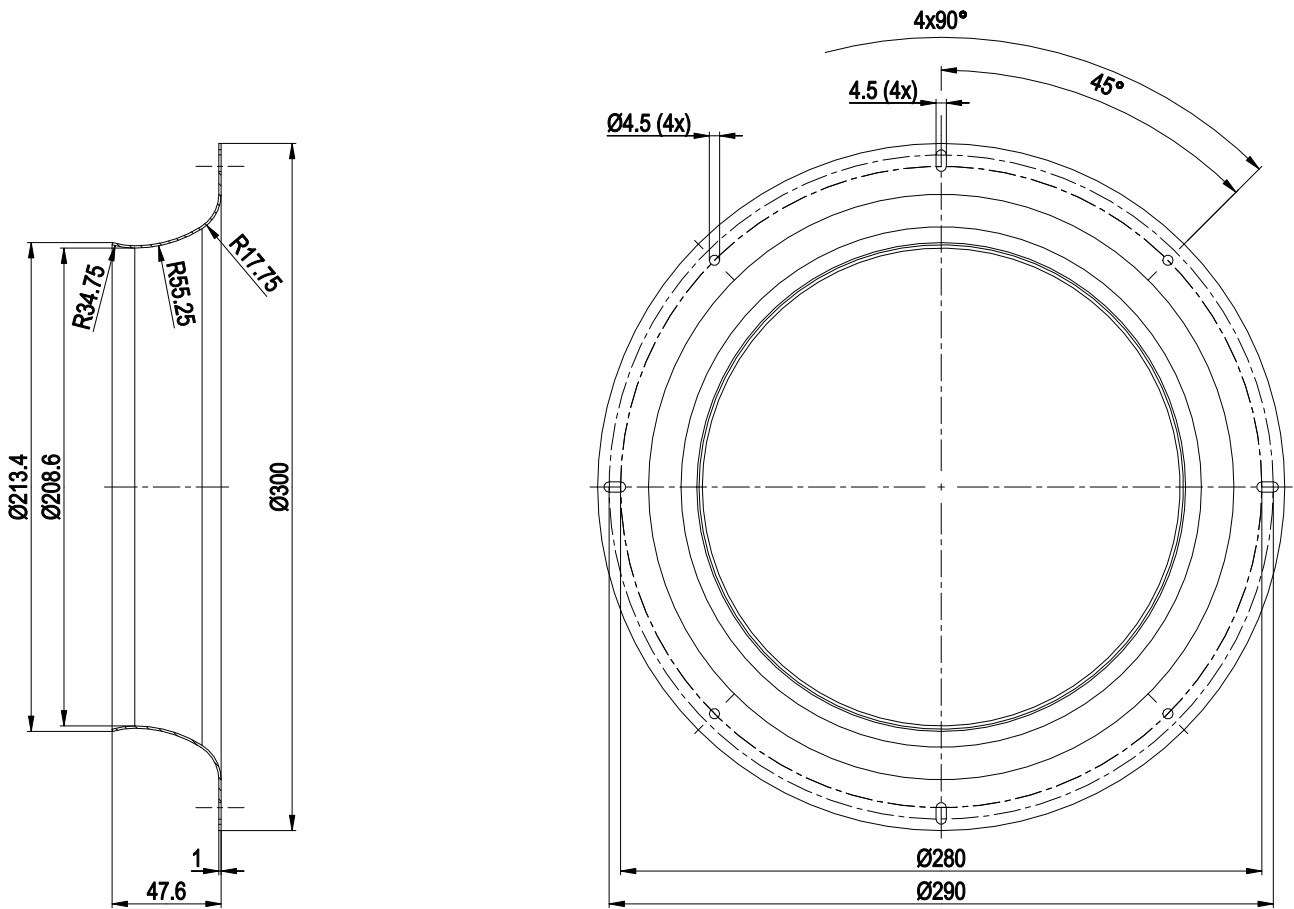
Product drawing



1	Accessory part: Inlet ring 31050-2-4013 not included in scope of delivery, other inlet rings on request
2	Max. clearance for screw 5 mm
3	Cable PVC AWG20 6-pole connector housing TE 1-1644055-3, 3x plug pin TE 926885-1
3.1	PE
3.2	N
3.3	L
3.4	not used
3.5	not used
3.6	not used
4	Cable PVC AWG22 4-pole connector housing Molex 43025-0400, 4x socket Molex 43030-0001
4.1	0-10 V/PWM
4.2	+10 V
4.3	GND
4.4	Fan good / fan bad



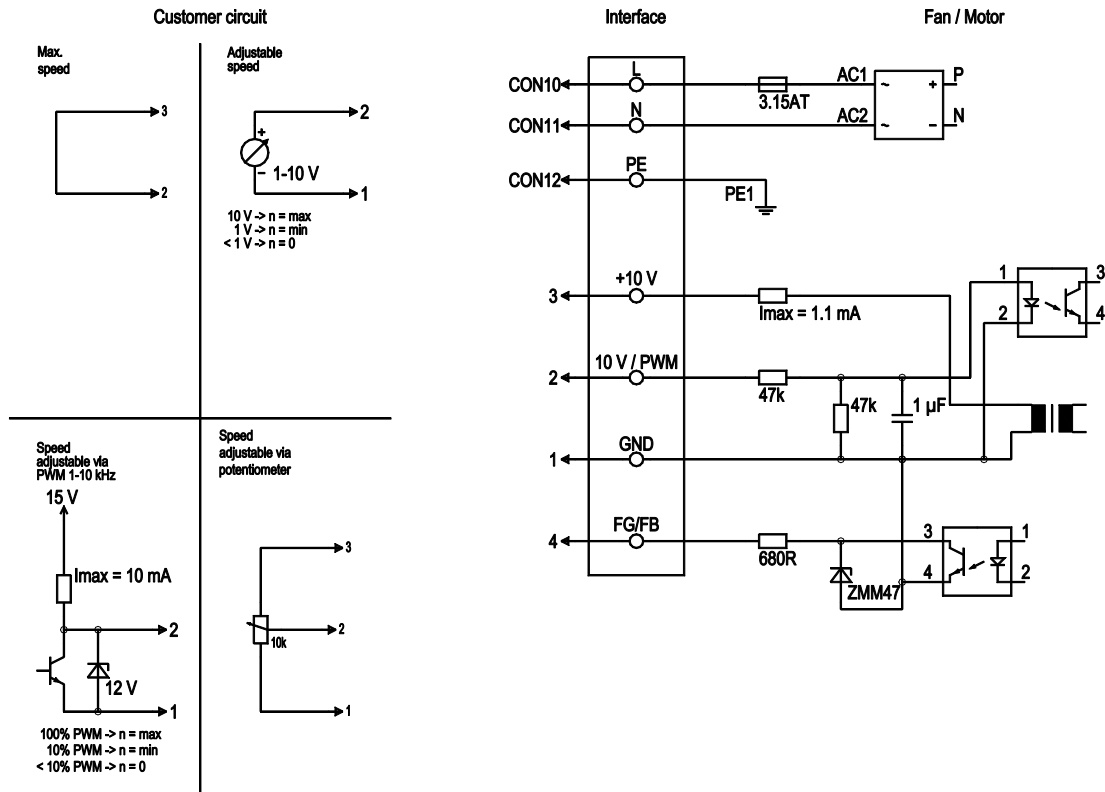
Accessory part



Inlet ring 31050-2-4013

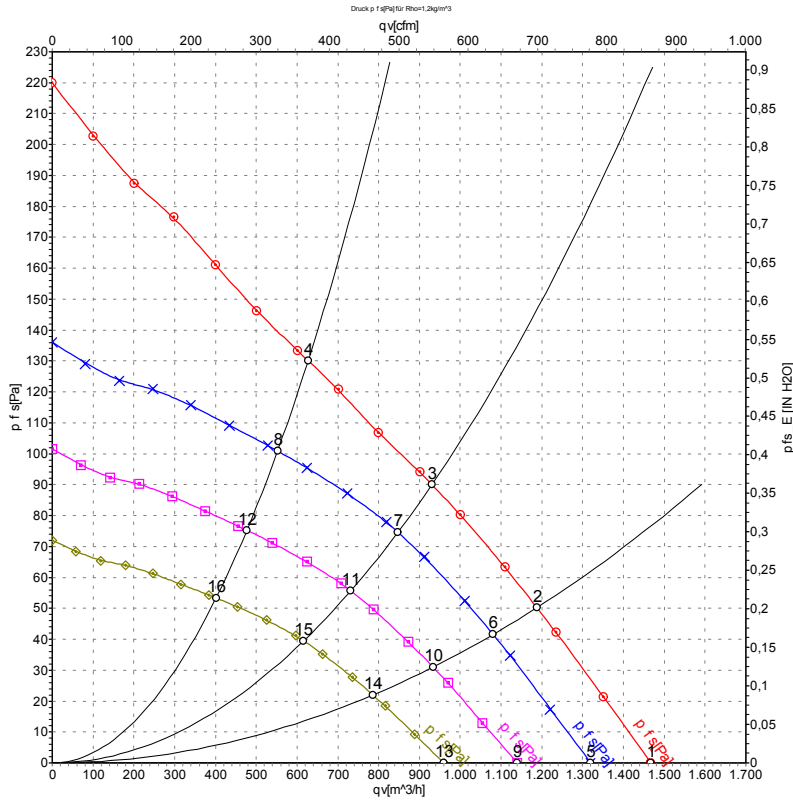


Connection diagram



No.	Conn.	Designation	Color	Function/assignment
	CON10	L	black	Power supply 230 VAC, 50-60 Hz, see nameplate for voltage range
	CON11	N	blue	Neutral conductor
	CON12	PE	green/yellow	Protective earth
	1	GND	blue	GND connection for control interface
	2	0- 10V PWM	yellow	Control input 0-10 V or PWM, electrically isolated
	3	10V/ max 1.1mA	red	Voltage output 10 VDC 1.1 mA, electrically isolated, short-circuit-proof
	4	FG/FB	white	Fan good / fan bad: open collector, fan good = low, electrically isolated

Curves: Air performance 50 Hz



Measurement: LU-128484-1

Air performance measured according to ISO 5801 installation category A. For detailed information on the measurement setup, contact ebmpapst. Intake sound level: Sound power level according to ISO 13347 / sound pressure level measured at 1 m distance from fan axis. The values given are valid under the specified measuring conditions and may vary due to conditions of installation. For deviations from the standard configuration, the parameters have to be checked on the installed unit.

Measured values

	U	f	n	P _{ed}	I	LpA _{in}	LwA _{in}	q _v	P _{fs}	q _v	P _{fs}
	V	Hz	min ⁻¹	W	A	dB(A)	dB(A)	m ³ /h	Pa	cfm	in. wg
1	230	50	1225	70	0.61	56	63	1465	0	865	0.00
2	230	50	1210	72	0.64	51	60	1190	50	700	0.20
3	230	50	1220	74	0.64	51	60	930	90	550	0.36
4	230	50	1250	66	0.58	53	62	625	130	370	0.52
5	230	50	1100	51	0.44	54	61	1320	0	775	0.00
6	230	50	1100	54	0.48	49	58	1080	42	635	0.17
7	230	50	1100	55	0.48	49	57	845	75	500	0.30
8	230	50	1100	45	0.40	50	59	550	101	325	0.41
9	230	50	950	33	0.28	50	58	1140	0	670	0.00
10	230	50	950	35	0.31	46	54	935	31	550	0.12
11	230	50	950	35	0.31	46	54	730	56	430	0.22
12	230	50	950	29	0.26	47	56	475	75	280	0.30
13	230	50	800	19	0.17	47	54	960	0	565	0.00
14	230	50	800	21	0.18	42	51	785	22	465	0.09
15	230	50	800	21	0.18	42	51	615	40	365	0.16
16	230	50	800	17	0.15	43	52	400	53	235	0.21

U = Voltage · f = Frequency · n = Speed (rpm) · P_{ed} = Power consumption · I = Current draw · LpA_{in} = Sound pressure level intake side · LwA_{in} = Sound power level intake side
 q_v = Air flow · P_{fs} = Pressure increase

