

# EC centrifugal fan

backward curved, single inlet

R3G280-AO09-11 ebmpapst Datasheet

sales@fansco.com

www.fansco.com

Limited partnership · Headquarters Muldingen  
 County court Stuttgart · HRA 590344

General partner Elektrobau Muldingen GmbH · Headquarters Muldingen  
 County court Stuttgart · HRB 590142

## Nominal data

<b>Type</b>	<b>R3G280-AO09-11</b>	
<b>Motor</b>	<b>M3G055-CF</b>	
Phase		1~
Nominal voltage	VAC	230
Nominal voltage range	VAC	200 .. 240
Frequency	Hz	50/60
Type of data definition		ml
Speed (rpm)	min <sup>-1</sup>	900
Power input	W	40
Current draw	A	0.4
Min. ambient temperature	°C	-25
Max. ambient temperature	°C	50

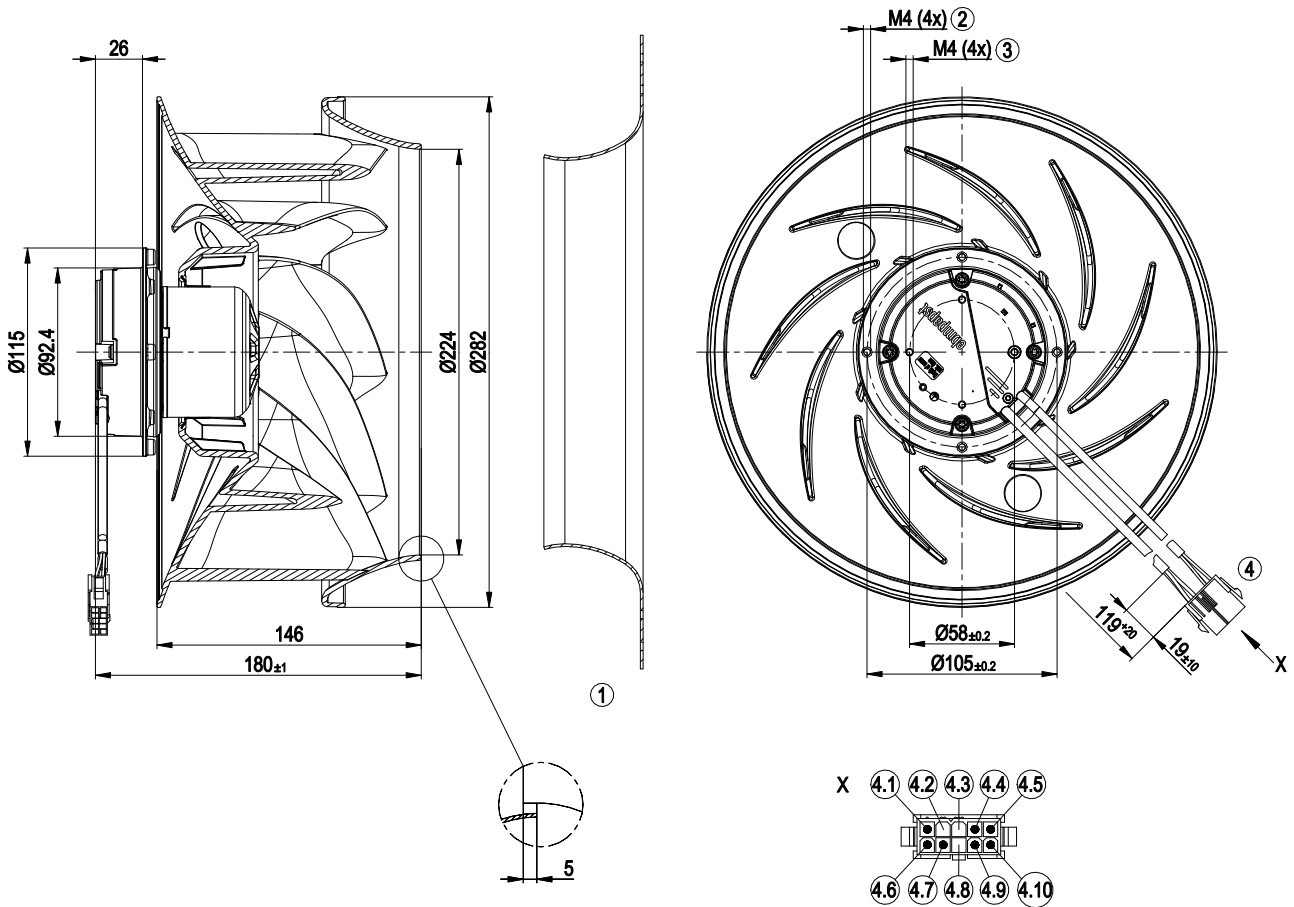
ml = Max. load · me = Max. efficiency · fa = Running at free air · cs = Customer specs · cu = Customer unit  
 Subject to alterations



### Technical features

Mass	2.3 kg
Size	280 mm
Surface of rotor	Thick layer passivated
Material of electronics housing	Die-cast aluminium
Material of impeller	PA plastic
Direction of rotation	Counter-clockwise, seen on rotor
Type of protection	IP54
Insulation class	"B"
Max. permissible ambient motor temp. (transp./ storage)	+ 80 °C
Min. permissible ambient motor temp. (transp./storage)	- 40 °C
Mounting position	Any
Condensate discharge holes	Rotor-side
Operation mode	S1
Motor bearing	Ball bearing
Technical features	<ul style="list-style-type: none"> <li>- Output 10 VDC, max. 10 mA</li> <li>- Tach output</li> <li>- Output limit</li> <li>- Motor current limit</li> <li>- Soft start</li> <li>- Control input 0-10 VDC / PWM</li> <li>- Control interface with SELV potential safely disconnected from the mains</li> <li>- Overvoltage detection</li> <li>- Over-temperature protected electronics / motor</li> <li>- Line undervoltage detection</li> </ul>
EMC interference immunity	Acc. to EN 61000-6-2 (industrial environment)
EMC harmonics	Acc. to EN 61000-3-2/3
EMC interference emission	Acc. to EN 61000-6-3 (household environment)
Touch current acc. IEC 60990 (measuring network Fig. 4, TN system)	<= 3.5 mA
Motor protection	Locked-rotor protection
Cable exit	Variable
Product conforming to standard	EN 60335-1; CE

## Product drawing

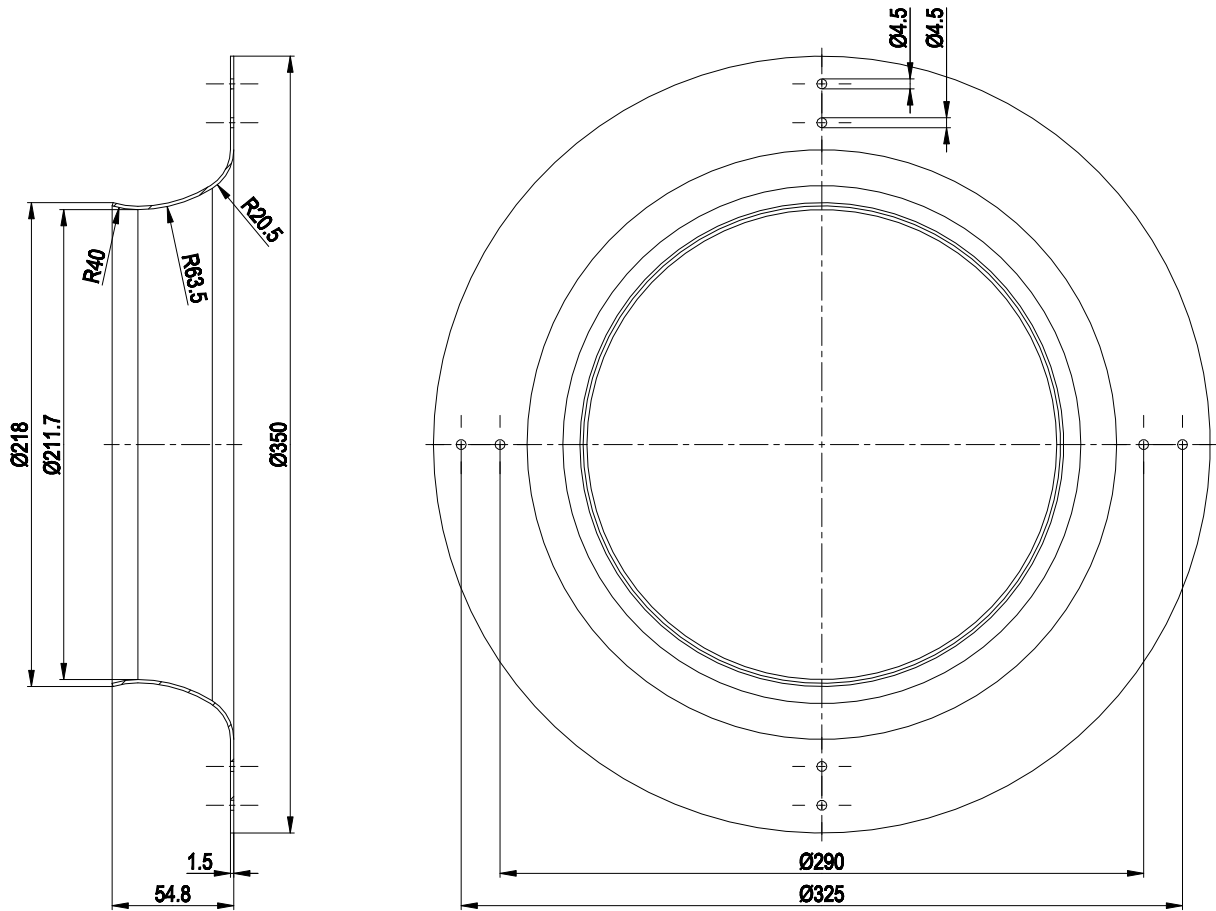


1	Accessory part: Inlet nozzle 31570-2-4013, not included in scope of delivery
2	Thread reach max. 6 mm
3	Thread reach max. 6 mm
4	Connection line PVC 3G 0.5 mm <sup>2</sup> , connection line PVC 4x0.25 mm <sup>2</sup> , 1x connector housing 10-pole Molex 39-01-2101, 7x female connector Molex 39-00-0040
4.1	L (brown)
4.2	not used
4.3	not used
4.4	0-10 V PWM (yellow)
4.5	Tach (white)
4.6	N (blue)
4.7	PE (green/yellow)
4.8	not used
4.9	+10 V (red)
4.10	GND (blue)

# EC centrifugal fan

backward curved, single inlet

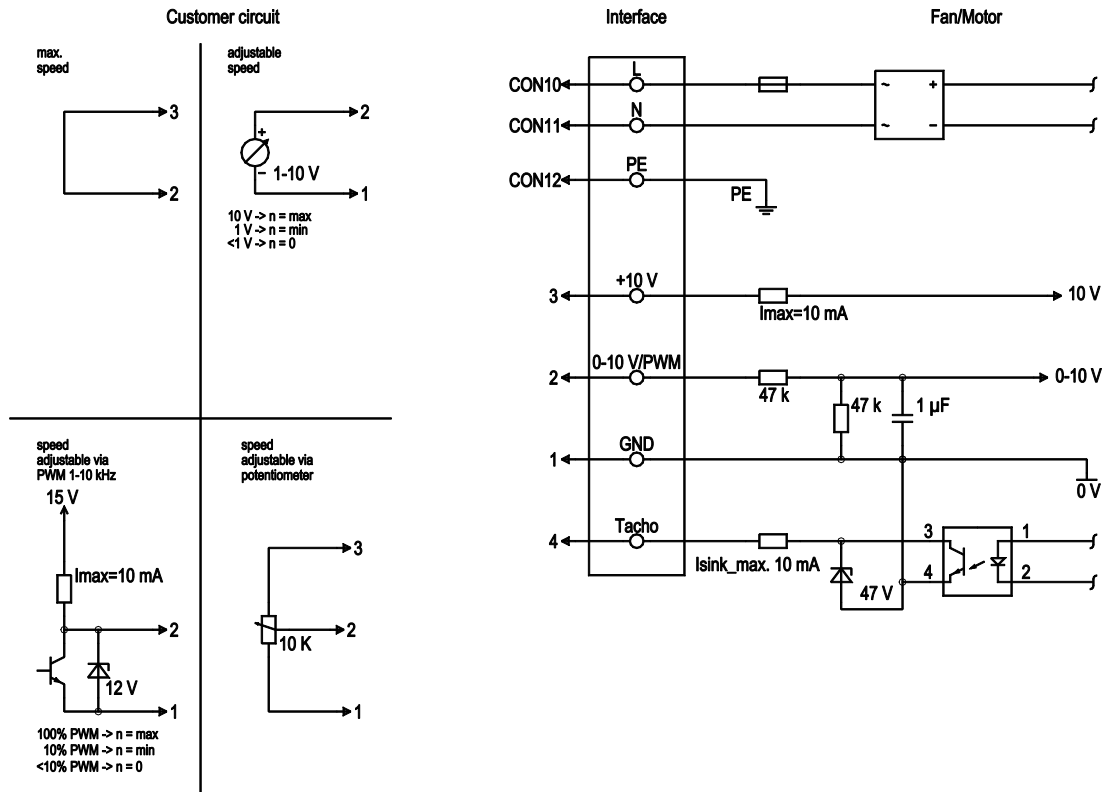
## Accessory part



Accessory part: Inlet nozzle 31570-2-4013 not included in scope of delivery

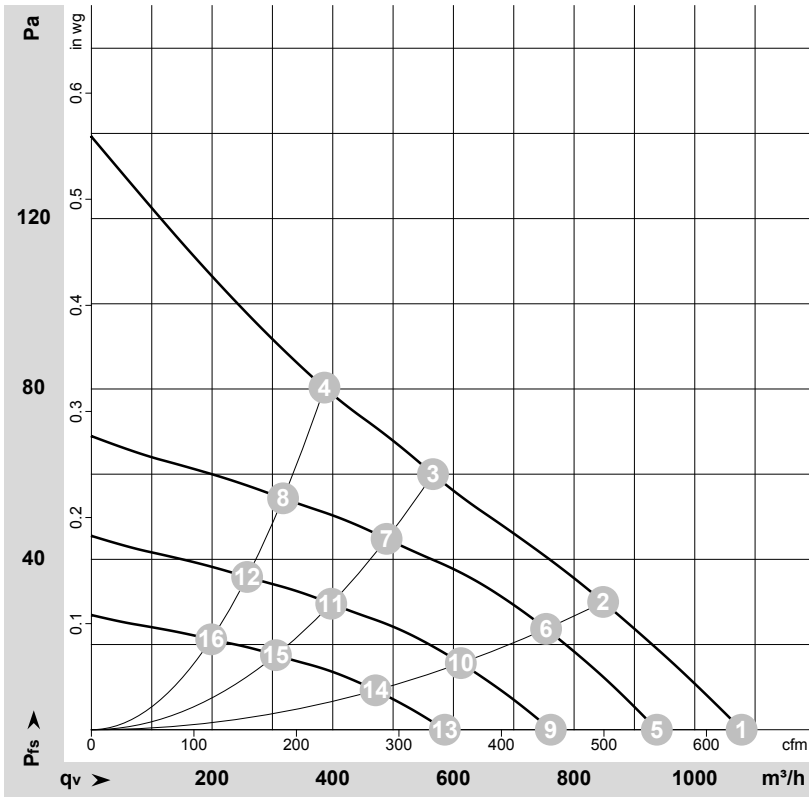


## Connection screen



No.	Conn.	Designation	Colour	Function / assignment
	CON10	L	brown	Mains connection, power supply, phase, see type plate for voltage range
	CON11	N	blue	Mains connection, power supply, neutral conductor, see type plate for voltage range
	CON12	PE	green/yellow	Earth connection
	2	0- 10V PWM	yellow	0-10 V/PWM control input, R <sub>i</sub> =100 kΩ, SELV
	4	Tach	white	Speed monitoring output, open collector, 1 pulse per revolution, I <sub>sink</sub> max = 10 mA, SELV
	3	+10 V	red	Fixed voltage output 10 VDC +/-3 %, I <sub>max</sub> . 10 mA, short-circuit-proof, power supply for ext. devices (e.g. potentiometer), SELV
	1	GND	blue	Signal ground for control interface, SELV

## Charts: Air flow 50 Hz



$\rho = 1.15 \text{ kg/m}^3 \pm 2 \%$

Measurement: LU-172844-1

Air performance measured as per ISO 5801 Installation category A. For detailed information on the measuring set-up, please contact ebmpapst. Suction-side noise levels: LwA measured as per ISO 13347 / LpA measured with 1m distance to fan axis. The values given are valid under the measuring conditions mentioned above and may vary according to the actual installation situation. With any deviation from the standard set-up, the specific values have to be checked and reviewed with the unit installed.

## Measured values

	U	f	n	P <sub>ed</sub>	I	q <sub>v</sub>	P <sub>fs</sub>	q <sub>v</sub>	P <sub>fs</sub>
	V	Hz	min <sup>-1</sup>	W	A	m <sup>3</sup> /h	Pa	cfm	inH <sub>2</sub> O
1	230	50	920	39	0.36	1080	0	635	0.00
2	230	50	900	40	0.40	850	30	500	0.12
3	230	50	925	38	0.35	565	60	335	0.24
4	230	50	970	35	0.33	385	80	225	0.32
5	230	50	800	26	0.24	935	0	550	0.00
6	230	50	800	28	0.26	755	24	445	0.10
7	230	50	800	25	0.23	490	45	290	0.18
8	230	50	800	20	0.18	320	54	185	0.22
9	230	50	650	14	0.13	760	0	450	0.00
10	230	50	650	15	0.14	610	16	360	0.06
11	230	50	650	13	0.12	400	30	235	0.12
12	230	50	650	11	0.10	260	36	150	0.14
13	230	50	500	6.0	0.06	585	0	345	0.00
14	230	50	500	7.0	0.06	470	9	275	0.04
15	230	50	500	6.0	0.06	305	18	180	0.07
16	230	50	500	5.0	0.04	200	21	115	0.08

U = Supply voltage · f = Frequency · n = Speed (rpm) · P<sub>ed</sub> = Power input · I = Current draw · q<sub>v</sub> = Air flow · P<sub>fs</sub> = Pressure increase

