

R3G250-RO06-73 ebmpapst Datasheet

sales@fansco.com

www.fansco.com

Limited partnership · Headquarters Mulfingen

Amtsgericht (court of registration) Stuttgart · HRA 590344

General partner Elektrobau Mulfingen GmbH · Headquarters Mulfingen

Amtsgericht (court of registration) Stuttgart · HRB 590142



Nominal data

Type	R3G250-RO06-73	
Motor	M3G084-DF	
Phase		1~
Nominal voltage	VAC	230
Nominal voltage range	VAC	200 .. 277
Frequency	Hz	50/60
Method of obtaining data		ml
Speed (rpm)	min ⁻¹	3400
Power consumption	W	385
Current draw	A	2.5
Min. ambient temperature	°C	-25
Max. ambient temperature	°C	55

ml = Max. load · me = Max. efficiency · fa = Free air · cs = Customer specification · ce = Customer equipment
Subject to change

Data according to ErP Directive

		Actual	Req. 2015			
01 Overall efficiency η_{es}	%	56.9	47.1	09 Power consumption P_{ed}	kW	0.38
02 Measurement category		A		09 Air flow q_v	m ³ /h	1180
03 Efficiency category		Static		09 Pressure increase p_{fs}	Pa	601
04 Efficiency grade N		71.8	62	10 Speed (rpm) n	min ⁻¹	3395
05 Variable speed drive		Yes		11 Specific ratio*		1.01

Data obtained at optimum efficiency level.

The ErP data is determined using a motor-impeller combination in a standardized measurement setup.

* Specific ratio = $1 + p_{fs} / 100\,000\text{ Pa}$

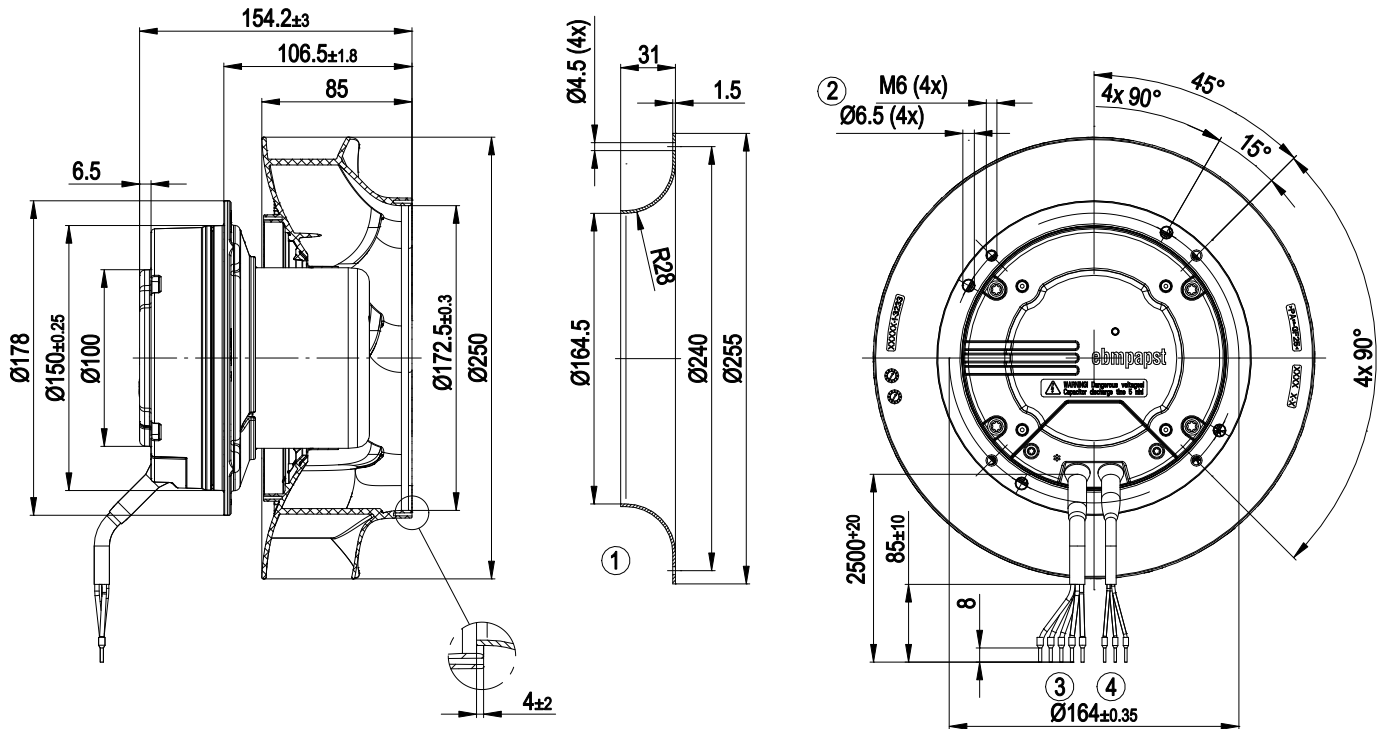
LU-130950



Technical description

Fan size	250 mm
Rotor surface	Painted black
Electronics housing material	Die-cast aluminum
Impeller material	PA6 plastic, glass-fiber reinforced
Number of blades	7
Direction of rotation	Clockwise, viewed toward rotor
Degree of protection	IP54
Insulation class	"B"
Moisture (F) / Environmental (H) protection class	F3-1
Max. permitted ambient temp. for motor (transport/storage)	+ 80 °C
Min. permitted ambient temp. for motor (transport/storage)	- 40 °C
Installation position	Shaft horizontal or rotor on top; rotor on bottom on request
Condensation drainage holes	None
Mode	S1
Motor bearing	Ball bearing
Technical features	<ul style="list-style-type: none"> - Output 10 VDC, max. 1.1 mA - Alarm relay - Motor current limitation - Soft start - Control input 0-10 VDC / PWM - Thermal overload protection for electronics/motor - Line undervoltage detection
EMC immunity to interference	According to EN 61000-6-2 (industrial environment)
EMC circuit feedback	According to EN 61000-3-2/3
EMC interference emission	According to EN 61000-6-3 (household environment)
Touch current according to IEC 60990 (measuring circuit Fig. 4, TN system)	<= 3.5 mA
Motor protection	Thermal overload protector (TOP) internally connected
With cable	Variable
Protection class	I (with customer connection of protective earth)
Conformity with standards	EN 61800-5-1; CE
Approval	CSA C22.2 No. 77; UL 2111

Product drawing

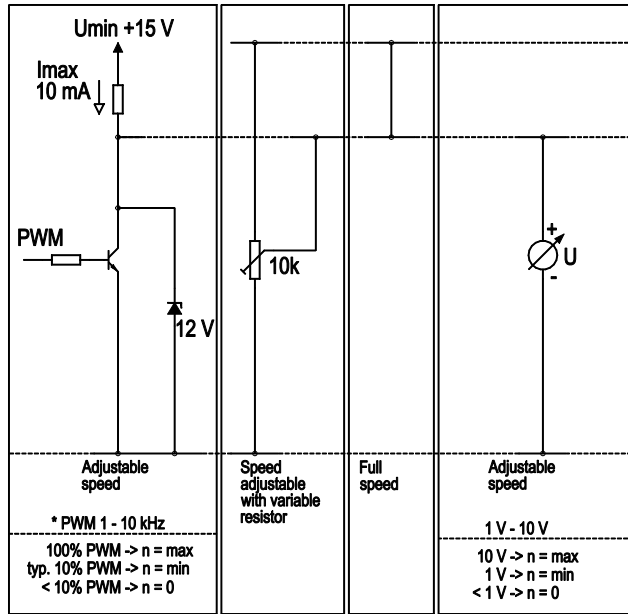


1	Accessory part: Inlet ring 96359-2-4013 not included in scope of delivery, other inlet rings on request
2	Clearance for screw 8 - 10 mm
3	Cable AWG 18, 5x crimped ferrules
4	Cable AWG 22, 3x crimped ferrules

Connection diagram

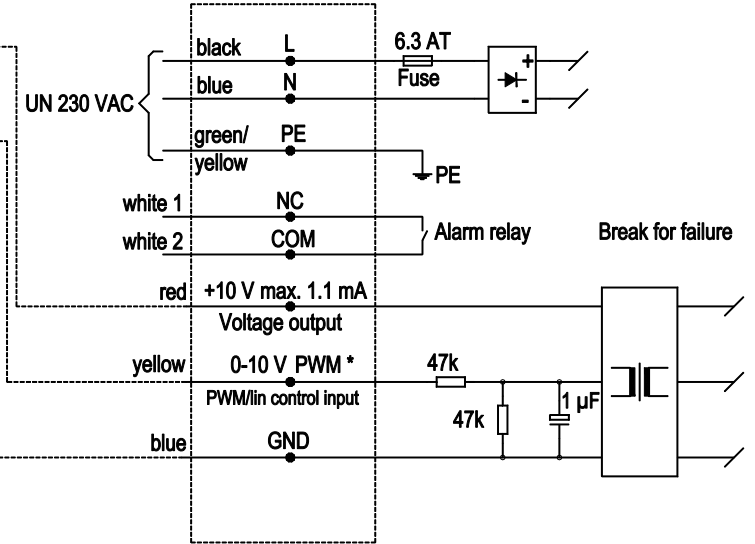
Customer circuit

Application notes for various control options

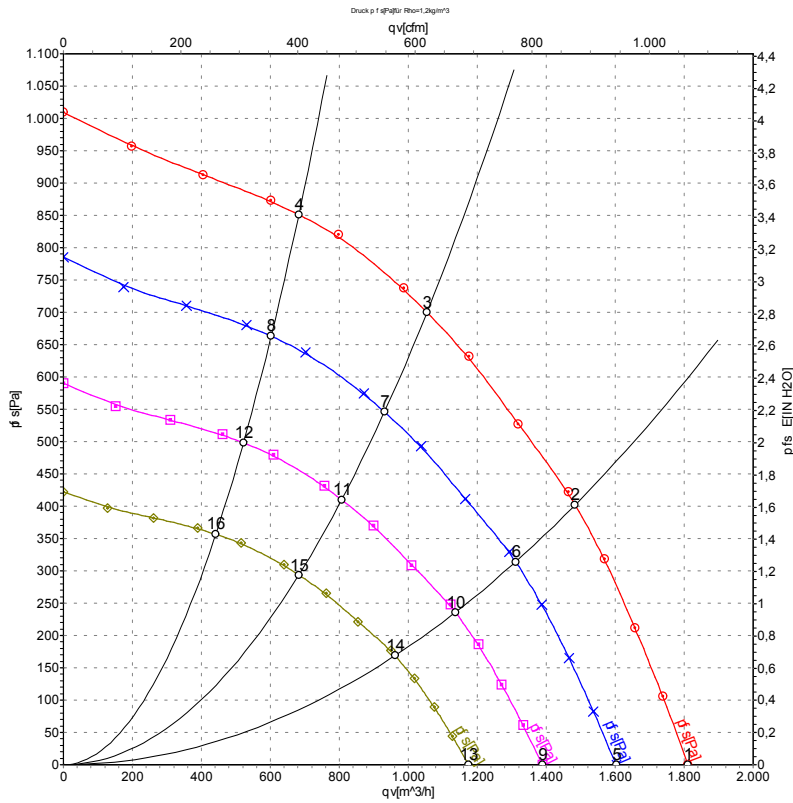


Connection

Fan / Motor



Curves: Air performance 50 Hz



Measurement: LU-130950-1

Air performance measured according to ISO 5801 installation category A. For detailed information on the measurement setup, contact ebm-papst. Intake sound level: Sound power level according to ISO 13347 / sound pressure level measured at 1 m distance from fan axis. The values given are valid under the specified measuring conditions and may vary due to conditions of installation. For deviations from the standard configuration, the parameters have to be checked on the installed unit.

Measured values

	U	f	n	P _{ed}	I	qv	p _{fs}	qv	p _{fs}
	V	Hz	min ⁻¹	W	A	m ³ /h	Pa	CFM	inH2O
1	230	50	3400	302	1.98	1810	0	1065	0.00
2	230	50	3400	360	2.36	1485	400	875	1.61
3	230	50	3400	385	2.50	1055	700	620	2.81
4	230	50	3400	346	2.27	680	850	400	3.41
5	230	50	3000	209	1.37	1605	0	945	0.00
6	230	50	3000	249	1.63	1310	315	770	1.26
7	230	50	3000	262	1.71	930	546	550	2.19
8	230	50	3000	238	1.56	600	663	355	2.66
9	230	50	2600	136	0.89	1390	0	820	0.00
10	230	50	2600	162	1.06	1135	237	670	0.95
11	230	50	2600	171	1.11	805	410	475	1.65
12	230	50	2600	155	1.01	520	498	305	2.00
13	230	50	2200	83	0.54	1175	0	690	0.00
14	230	50	2200	98	0.64	960	170	565	0.68
15	230	50	2200	103	0.67	685	294	400	1.18
16	230	50	2200	94	0.61	440	357	260	1.43

U = Power supply · f = Frequency · n = Speed (rpm) · P_{ed} = Power consumption · I = Current draw · qv = Air flow · p_{fs} = Pressure increase

