

R3G250-RE09-10 ebmpapst Datasheet

sales@fansco.com

www.fansco.com

Limited partnership · Headquarters Mulfingen

Amtsgericht (court of registration) Stuttgart · HRA 590344

General partner Elektrobau Mulfingen GmbH · Headquarters Mulfingen

Amtsgericht (court of registration) Stuttgart · HRB 590142



Nominal data

Type	R3G250-RE09-10	
Motor	M3G055-DF	
Phase		1~
Nominal voltage	VAC	230
Nominal voltage range	VAC	200 .. 240
Frequency	Hz	50/60
Method of obtaining data		ml
Speed (rpm)	min ⁻¹	2510
Power consumption	W	170
Current draw	A	1.4
Min. ambient temperature	°C	-25
Max. ambient temperature	°C	60

ml = Max. load · me = Max. efficiency · fa = Free air · cs = Customer specification · ce = Customer equipment
Subject to change

Data according to ErP Directive

		Actual	Req. 2015			
01 Overall efficiency η_{es}	%	60.1	43.4	09 Power consumption P_{ed}	kW	0.17
02 Measurement category		A		09 Air flow q_v	m ³ /h	1005
03 Efficiency category		Static		09 Pressure increase p_{fs}	Pa	322
04 Efficiency grade N		78.7	62	10 Speed (rpm) n	min ⁻¹	2555
05 Variable speed drive		Yes		11 Specific ratio [*]		1.00

Data obtained at optimum efficiency level.

The ErP data is determined using a motor-impeller combination in a standardized measurement setup.

^{*} Specific ratio = $1 + p_{fs} / 100\,000\text{ Pa}$

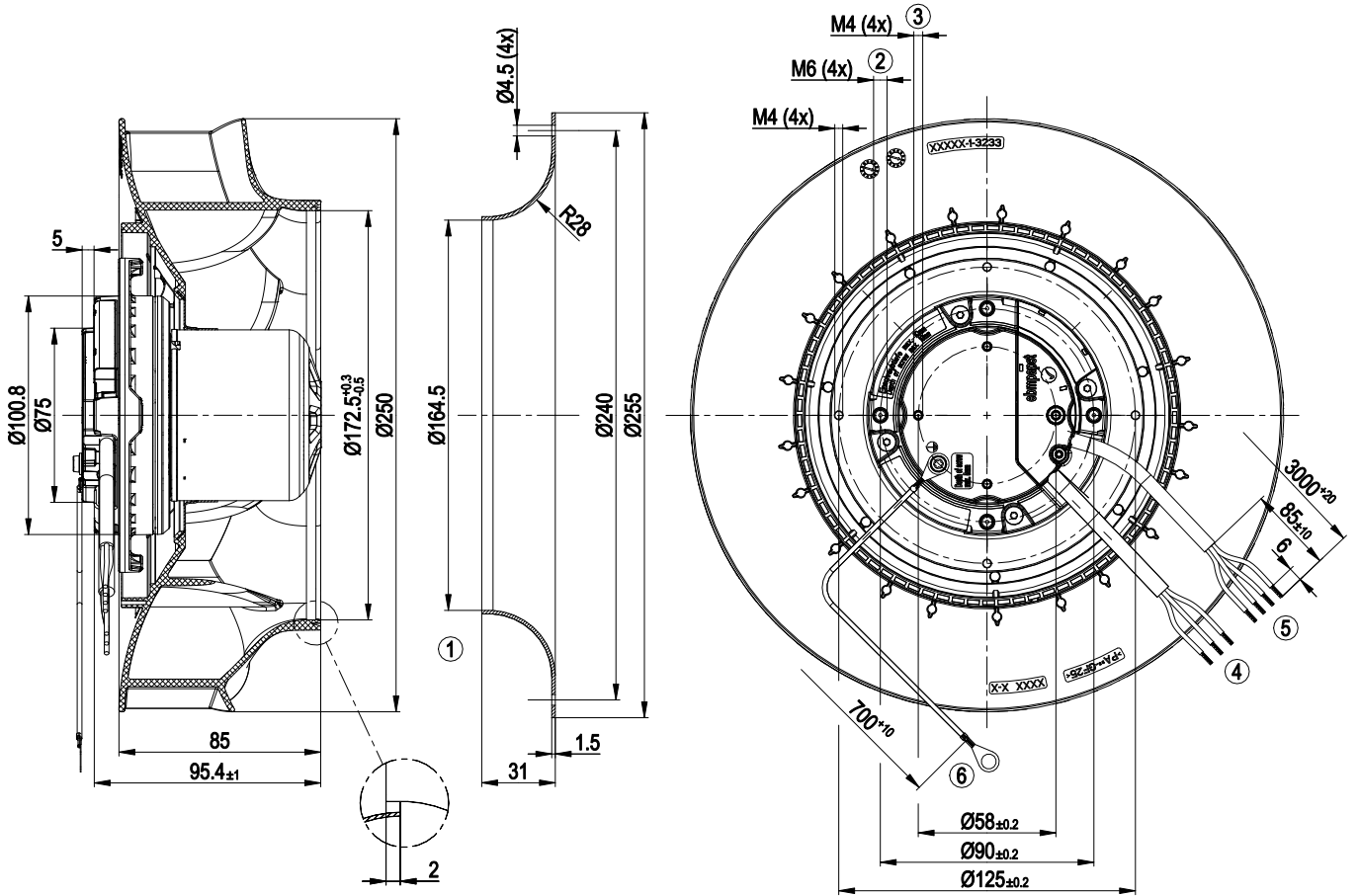
LU-128144



Technical description

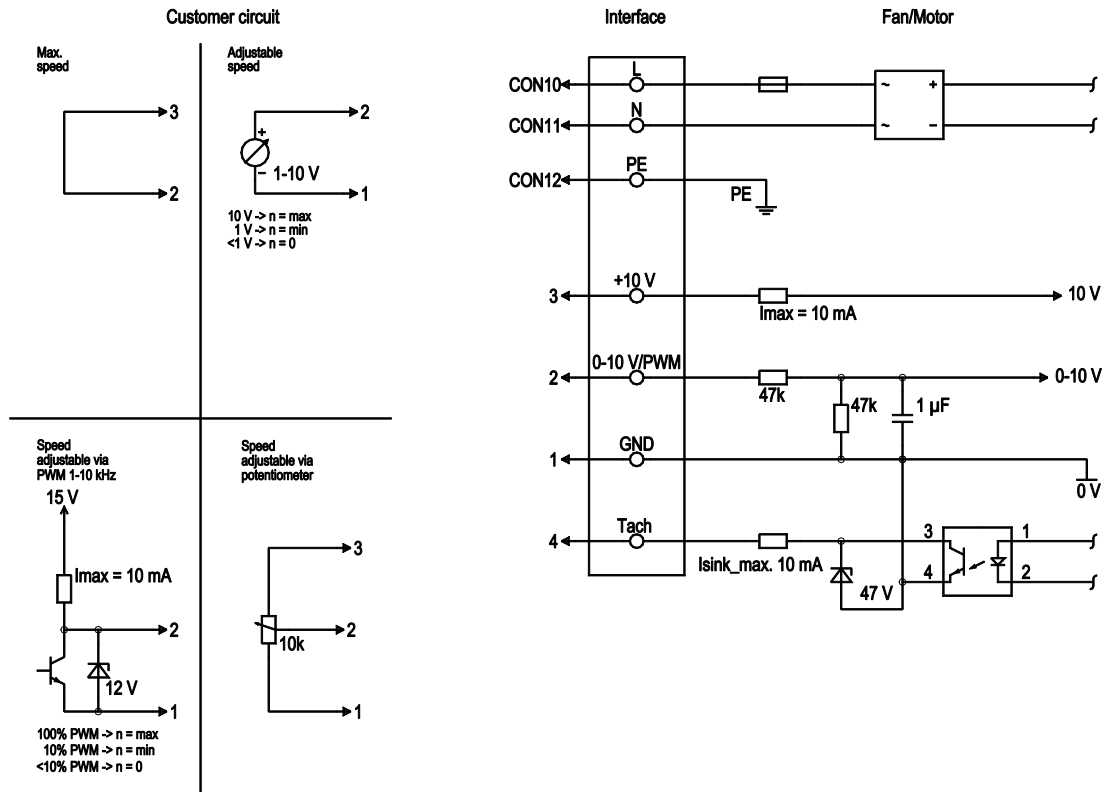
Weight	2.1 kg
Fan size	250 mm
Rotor surface	Unpainted
Impeller material	PA plastic
Number of blades	7
Direction of rotation	Clockwise, viewed toward rotor
Degree of protection	IP54
Insulation class	"B"
Max. permitted ambient temp. for motor (transport/storage)	+ 80 °C
Min. permitted ambient temp. for motor (transport/storage)	- 40 °C
Installation position	Any
Condensation drainage holes	None
Mode	S1
Motor bearing	Ball bearing
Technical features	<ul style="list-style-type: none"> - Output 10 VDC, max. 10 mA - Tach output - Power limiter - Motor current limitation - Soft start - Control input 0-10 VDC / PWM - Control interface with SELV potential safely disconnected from the mains - Overvoltage detection - Thermal overload protection for electronics/motor - Line undervoltage detection
Touch current according to IEC 60990 (measuring circuit Fig. 4, TN system)	<= 3.5 mA
Motor protection	Locked-rotor protection
With cable	Variable
Protection class	I (with customer connection of protective earth)
Conformity with standards	EN 60335-1; CE

Product drawing



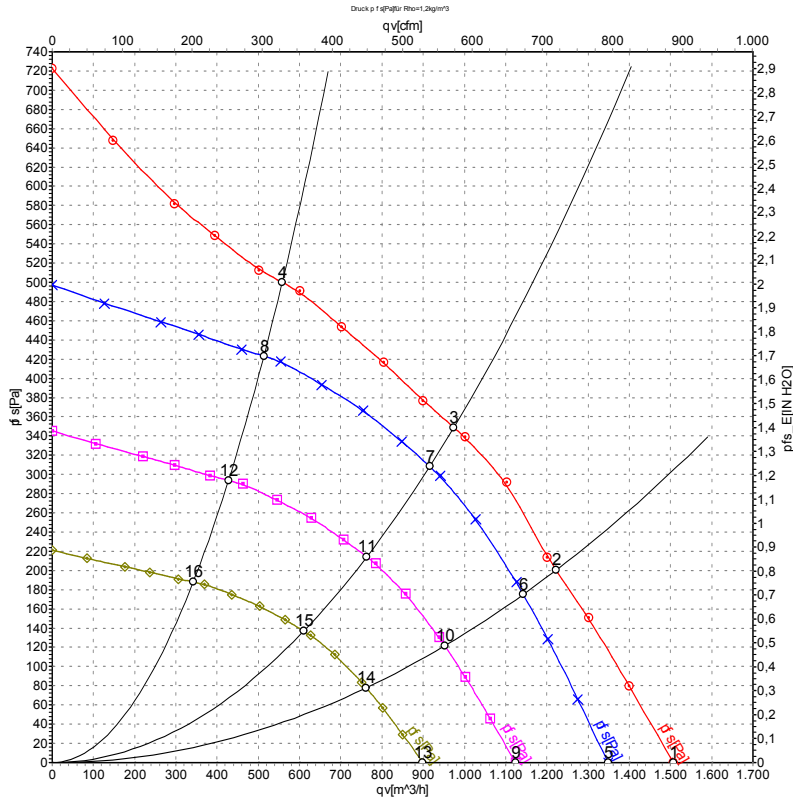
1	Accessory part: Inlet ring 96359-2-4013, not included in scope of delivery
2	Max. clearance for screw 10 mm
3	Max. clearance for screw 5 mm
4	Cable PVC 3G AWG20, 3 x crimped splices
5	Cable PVC 4x AWG22, 4x crimped splices
6	(PE); wire AWG18 (green/yellow) with ring terminal 6.3

Connection diagram



No.	Conn.	Designation	Color	Function/assignment
	CON10	L	black	Supply connection, power supply, phase, see nameplate for voltage range
	CON11	N	blue	Supply connection, power supply, neutral conductor, see nameplate for voltage range
	CON12	PE	green/yellow	Ground connection
	2	0- 10V PWM	yellow	0-10 V / PWM control input, R _i =100 kΩ, SELV
	4	Tach	white	Tach output, open collector, 1 pulse per revolution, I _{sink max} = 10 mA, SELV
	3	+10 V	red	Fixed voltage output 10 VDC +/-3 %, I _{max} . 10 mA, short-circuit-proof, power supply for ext. devices (e.g. pot), SELV
	1	GND	blue	Reference ground for control interface, SELV

Curves: Air performance 50 Hz



Measurement: LU-128144-1

Air performance measured according to ISO 5801 installation category A. For detailed information on the measurement setup, contact ebmpapst. Intake sound level: Sound power level according to ISO 13347 / sound pressure level measured at 1 m distance from fan axis. The values given are valid under the specified measuring conditions and may vary due to conditions of installation. For deviations from the standard configuration, the parameters have to be checked on the installed unit.

Measured values

	U	f	n	P _{ed}	I	LpA _{in}	LwA _{in}	qv	p _s	qv	p _s
	V	Hz	min ⁻¹	W	A	dB(A)	dB(A)	m³/h	Pa	CFM	inH2O
1	230	50	2680	146	1.17	68	76	1505	0	885	0.00
2	230	50	2565	170	1.40	63	71	1225	200	720	0.80
3	230	50	2510	170	1.40	59	67	975	350	575	1.41
4	230	50	2610	160	1.28	65	73	560	500	330	2.01
5	230	50	2400	104	0.84	65	73	1350	0	795	0.00
6	230	50	2400	140	1.11	62	70	1145	176	675	0.71
7	230	50	2400	142	1.12	58	66	915	309	540	1.24
8	230	50	2400	125	1.00	64	71	515	423	300	1.70
9	230	50	2000	60	0.49	61	69	1125	0	660	0.00
10	230	50	2000	81	0.64	58	66	950	122	560	0.49
11	230	50	2000	82	0.65	54	62	765	214	450	0.86
12	230	50	2000	72	0.58	60	67	430	294	250	1.18
13	230	50	1600	31	0.25	57	65	900	0	530	0.00
14	230	50	1600	41	0.33	53	61	760	78	450	0.31
15	230	50	1600	42	0.33	49	57	610	137	360	0.55
16	230	50	1600	37	0.30	55	62	340	188	200	0.75

U = Power supply · f = Frequency · n = Speed (rpm) · P_{ed} = Power consumption · I = Current draw · LpA_{in} = Sound pressure level intake side · LwA_{in} = Sound power level intake side
 qv = Air flow · p_s = Pressure increase

