

R3G225-RH17-23 ebmpapst Datasheet

sales@fansco.com

www.fansco.com

Limited partnership · Headquarters Muldingen

Amtsgericht (court of registration) Stuttgart · HRA 590344

General partner Elektrobau Muldingen GmbH · Headquarters Muldingen

Amtsgericht (court of registration) Stuttgart · HRB 590142

## Nominal data

Type	R3G225-RH17-23	
Motor	M3G055-CF	
Phase		1~
Nominal voltage	VAC	230
Nominal voltage range	VAC	200 .. 240
Frequency	Hz	50/60
Method of obtaining data		ml
Speed (rpm)	min <sup>-1</sup>	2270
Power consumption	W	96
Current draw	A	0.77
Min. ambient temperature	°C	-25
Max. ambient temperature	°C	60

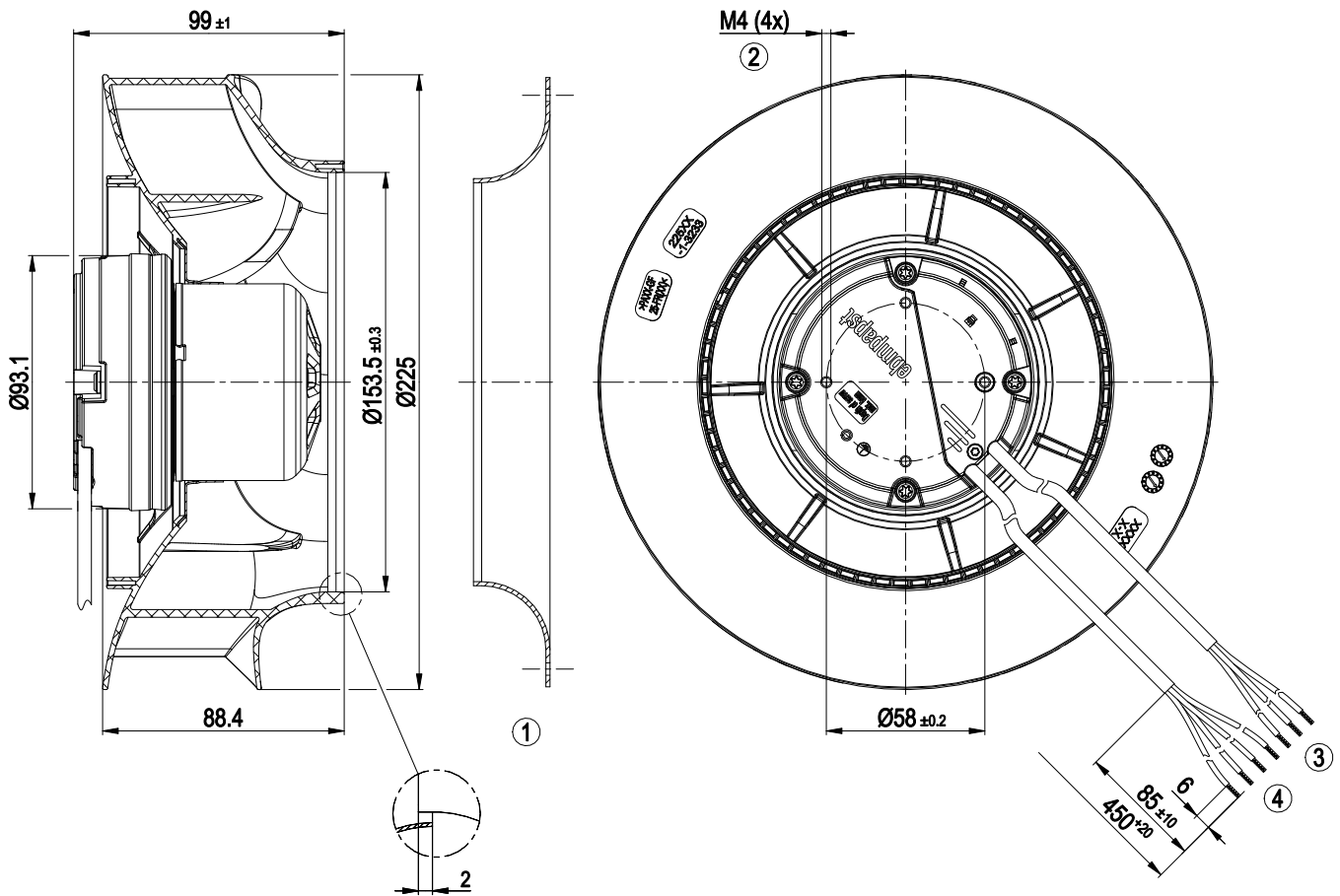
ml = Max. load · me = Max. efficiency · fa = Free air · cs = Customer specification · ce = Customer equipment  
Subject to change



## Technical description

Weight	1.5 kg
Fan size	225 mm
Rotor surface	Thick-film passivated
Impeller material	PA plastic
Number of blades	7
Direction of rotation	Clockwise, viewed toward rotor
Degree of protection	IP54
Insulation class	"B"
Moisture (F) / Environmental (H) protection class	H0 - dry environment
Max. permitted ambient temp. for motor (transport/storage)	+ 80 °C
Min. permitted ambient temp. for motor (transport/storage)	- 40 °C
Installation position	Any
Condensation drainage holes	None, open rotor
Mode	S1
Motor bearing	Ball bearing
Technical features	<ul style="list-style-type: none"> <li>- Output 10 VDC, max. 10 mA</li> <li>- Tach output</li> <li>- Power limiter</li> <li>- Motor current limitation</li> <li>- Soft start</li> <li>- Control input 0-10 VDC / PWM</li> <li>- Control interface with SELV potential safely disconnected from the mains</li> <li>- Overvoltage detection</li> <li>- Thermal overload protection for electronics/motor</li> <li>- Line undervoltage detection</li> </ul>
EMC immunity to interference	According to EN 61000-6-2 (industrial environment)
EMC circuit feedback	According to EN 61000-3-2/3
EMC interference emission	According to EN 61000-6-3 (household environment)
Touch current according to IEC 60990 (measuring circuit Fig. 4, TN system)	<= 3.5 mA
Motor protection	Locked-rotor protection
With cable	Variable
Protection class	I (with customer connection of protective earth)
Conformity with standards	EN 60335-1; CE
Approval	C22.2 No.77 + CAN/CSA-E60730-1; UL 1004-7 + 60730

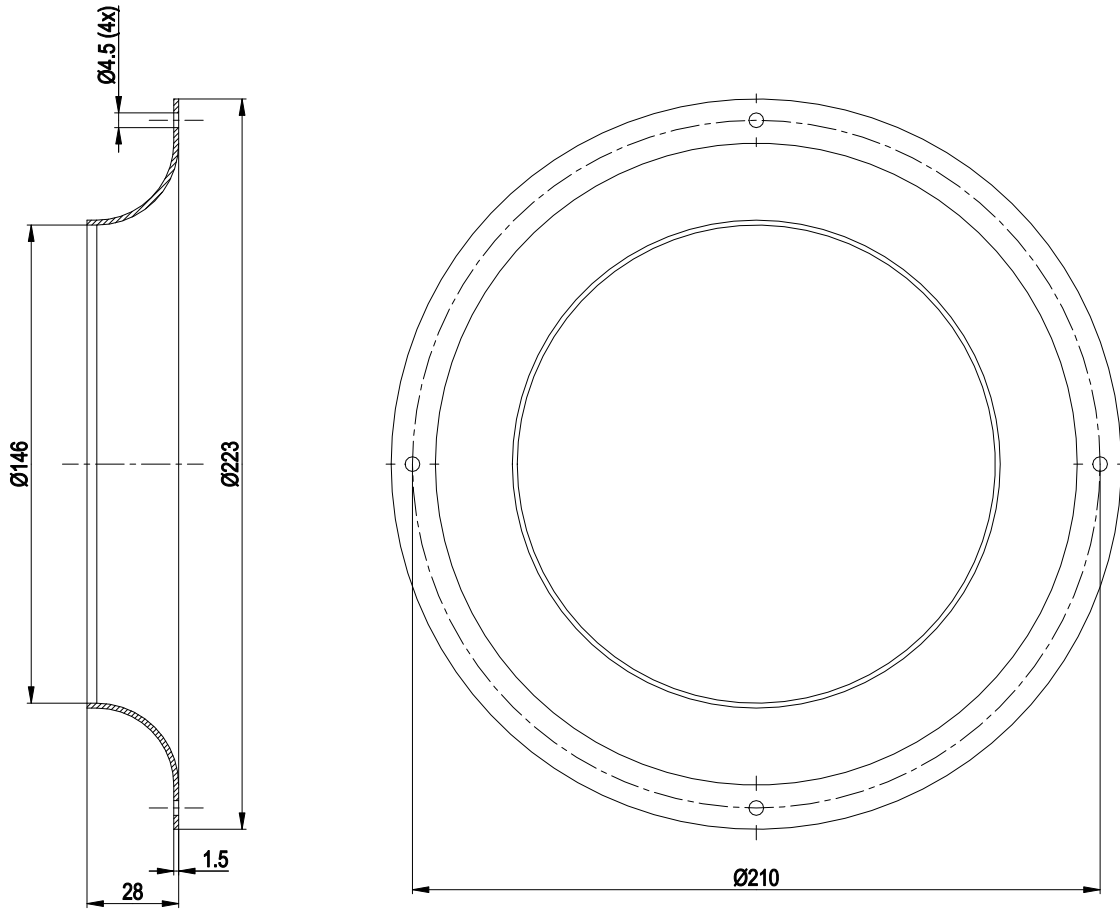
Product drawing



- |   |   |
|---|---|
| 1 | Accessory part: inlet ring 96358-2-4013 not included in scope of delivery |
| 2 | Max. clearance for screw 6 mm   |
| 3 | Cable PVC 3x AWG20, 3x crimped splices                                    |
| 4 | Cable PVC 4x 0.25 mm <sup>2</sup> , 4x crimped splices                    |



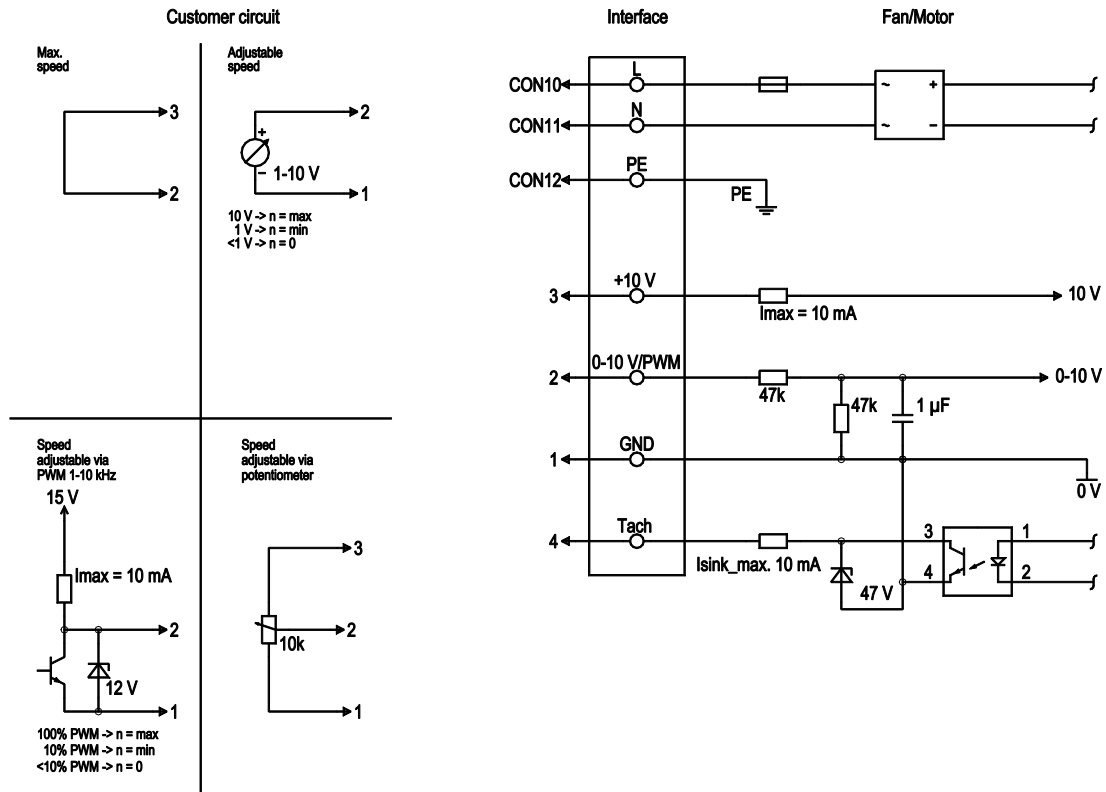
## Accessory part



1 Accessory part: inlet ring 96358-2-4013 not included in scope of delivery



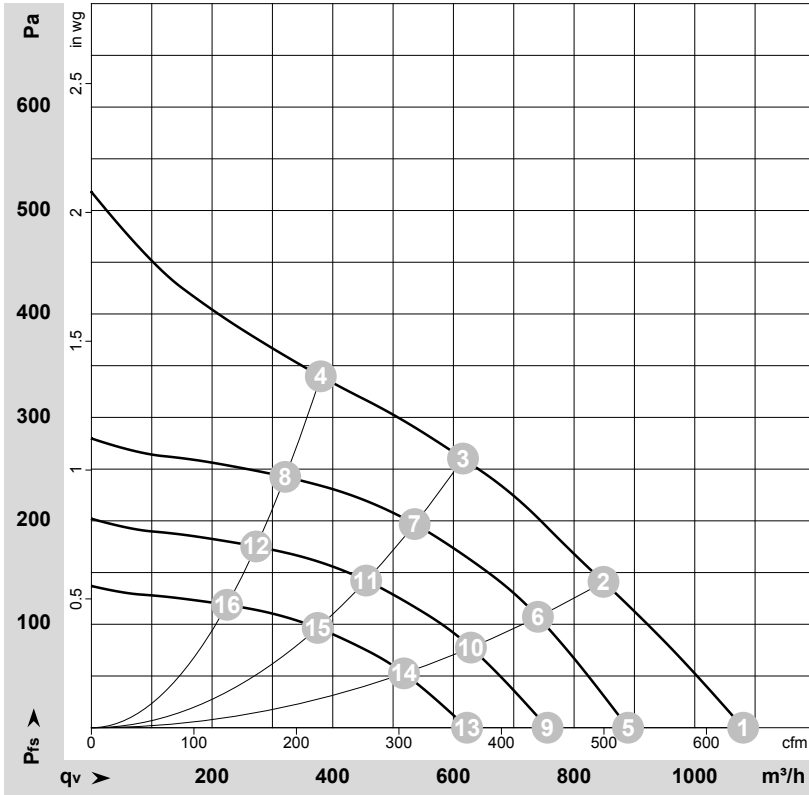
## Connection diagram



No.	Conn.	Designation	Color	Function/assignment
	CON10	L	brown	Supply connection, power supply, phase, see nameplate for voltage range
	CON11	N	blue	Supply connection, power supply, neutral conductor, see nameplate for voltage range
	CON12	PE	green/yellow	Ground connection
	2	0- 10V PWM	yellow	0-10 V / PWM control input, R <sub>i</sub> =100 kΩ, SELV
	4	Tach	white	Tach output, open collector, 1 pulse per revolution, I <sub>sink max</sub> = 10 mA, SELV
	3	+10 V	red	Fixed voltage output 10 VDC +/-3 %, I <sub>max</sub> . 10 mA, short-circuit-proof, power supply for ext. devices (e.g. pot), SELV
	1	GND	blue	Reference ground for control interface, SELV



## Curves: Air performance 50 Hz



$\rho = 1.15 \text{ kg/m}^3 \pm 2 \%$

Measurement: LU-169635-1

Air performance measured according to ISO 5801 installation category A. For detailed information on the measurement setup, contact ebmpapst. Intake sound level: Sound power level according to ISO 13347 / sound pressure level measured at 1 m distance from fan axis. The values given are valid under the specified measuring conditions and may vary due to conditions of installation. For deviations from the standard configuration, the parameters have to be checked on the installed unit.

## Measured values

	U	f	n	P <sub>ed</sub>	I	q <sub>v</sub>	p <sub>fs</sub>	q <sub>v</sub>	p <sub>fs</sub>
	V	Hz	min <sup>-1</sup>	W	A	m <sup>3</sup> /h	Pa	cfm	inH <sub>2</sub> O
1	230	50	2430	84	0.66	1080	0	635	0.00
2	230	50	2295	96	0.77	850	140	500	0.56
3	230	50	2270	96	0.77	615	260	365	1.04
4	230	50	2365	89	0.70	380	340	225	1.36
5	230	50	2000	47	0.37	890	0	525	0.00
6	230	50	2000	63	0.50	740	107	435	0.43
7	230	50	2000	62	0.48	535	197	315	0.79
8	230	50	2000	54	0.42	320	243	190	0.98
9	230	50	1700	29	0.23	755	0	445	0.00
10	230	50	1700	39	0.31	630	77	370	0.31
11	230	50	1700	38	0.30	455	143	270	0.57
12	230	50	1700	33	0.26	275	175	160	0.70
13	230	50	1400	16	0.13	625	0	365	0.00
14	230	50	1400	22	0.17	520	53	305	0.21
15	230	50	1400	21	0.17	375	97	220	0.39
16	230	50	1400	19	0.15	225	119	130	0.48

U = Power supply · f = Frequency · n = Speed (rpm) · P<sub>ed</sub> = Power consumption · I = Current draw · q<sub>v</sub> = Air flow · p<sub>fs</sub> = Pressure increase

