

R3G225-AE17-G01

# EC centrifugal fan

backward curved



R3G225-AE17-G01 ebmpapst Datasheet  
sales@fansco.com  
www.fansco.com

## Nominal data

Type	R3G225-AE17-G01	
Motor	M3G055-CF	
Nominal voltage	VAC	230V
Nominal voltage range	VAC	198 .. 264
Frequency	Hz	50/60
Type of data definition		ml
Speed	min <sup>-1</sup>	2200
Power input	W	60
Current draw	A	0.42
Min. ambient temperature	°C	-25
Max. ambient temperature	°C	50

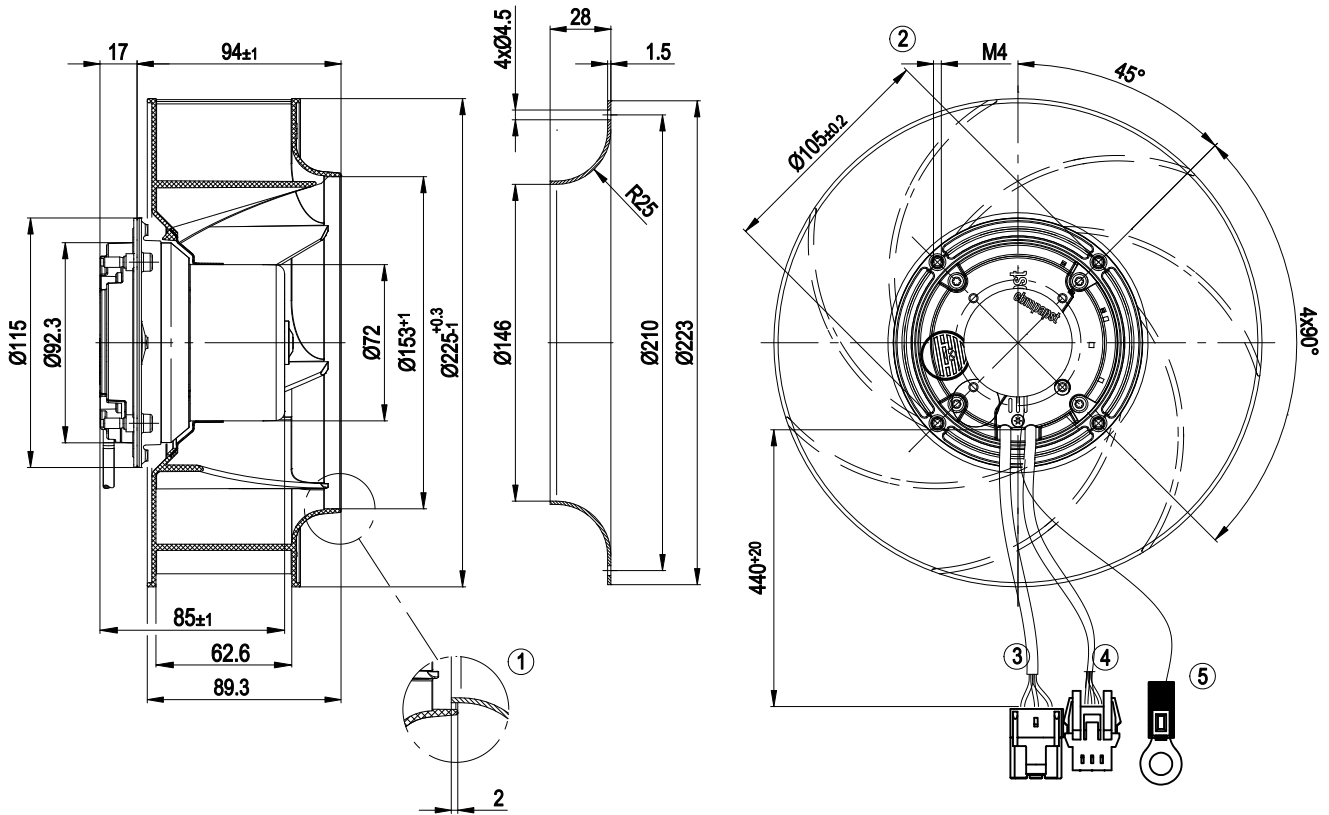
ml = max. load · me = max. efficiency · rfa = running at free air · cs = customer specs · cu = customer unit  
Subject to alterations



### Technical features

<b>Mass</b>	1.5 kg
<b>Size</b>	225 mm
<b>Surface of rotor</b>	Thick layer passivated
<b>Material of electronics housing</b>	Die-cast aluminium
<b>Material of impeller</b>	Plastic PA66, fibreglass-reinforced
<b>Number of blades</b>	7
<b>Direction of rotation</b>	Clockwise, seen on rotor
<b>Type of protection</b>	IP 44
<b>Insulation class</b>	"B"
<b>Humidity class</b>	F3-1
<b>Max. permissible ambient motor temp. (transp./ storage)</b>	+ 80 °C
<b>Min. permissible ambient motor temp. (transp./storage)</b>	- 40 °C
<b>Mounting position</b>	Shaft horizontal or rotor on bottom; rotor on top on request
<b>Condensate discharge holes</b>	Rotor-side
<b>Operation mode</b>	S1
<b>Motor bearing</b>	Ball bearing
<b>Technical features</b>	<ul style="list-style-type: none"> <li>- Tach output</li> <li>- Motor current limit</li> <li>- Soft start</li> <li>- PWM control input</li> </ul>
<b>EMC interference immunity</b>	Acc. to EN 61000-6-2 (industrial environment)
<b>EMC interference emission</b>	Acc. to EN 61000-6-3 (household environment)
<b>EMC harmonics</b>	Acc. to EN 61000-3-2/3
<b>Leakage current</b>	<= 3.5 mA
<b>Electrical leads</b>	With plug
<b>Motor protection</b>	Locked-rotor protection
<b>Cable exit</b>	Variable
<b>Protection class</b>	I
<b>Product conforming to standard</b>	EN 60335-1
<b>Approval</b>	CCC; UL 507

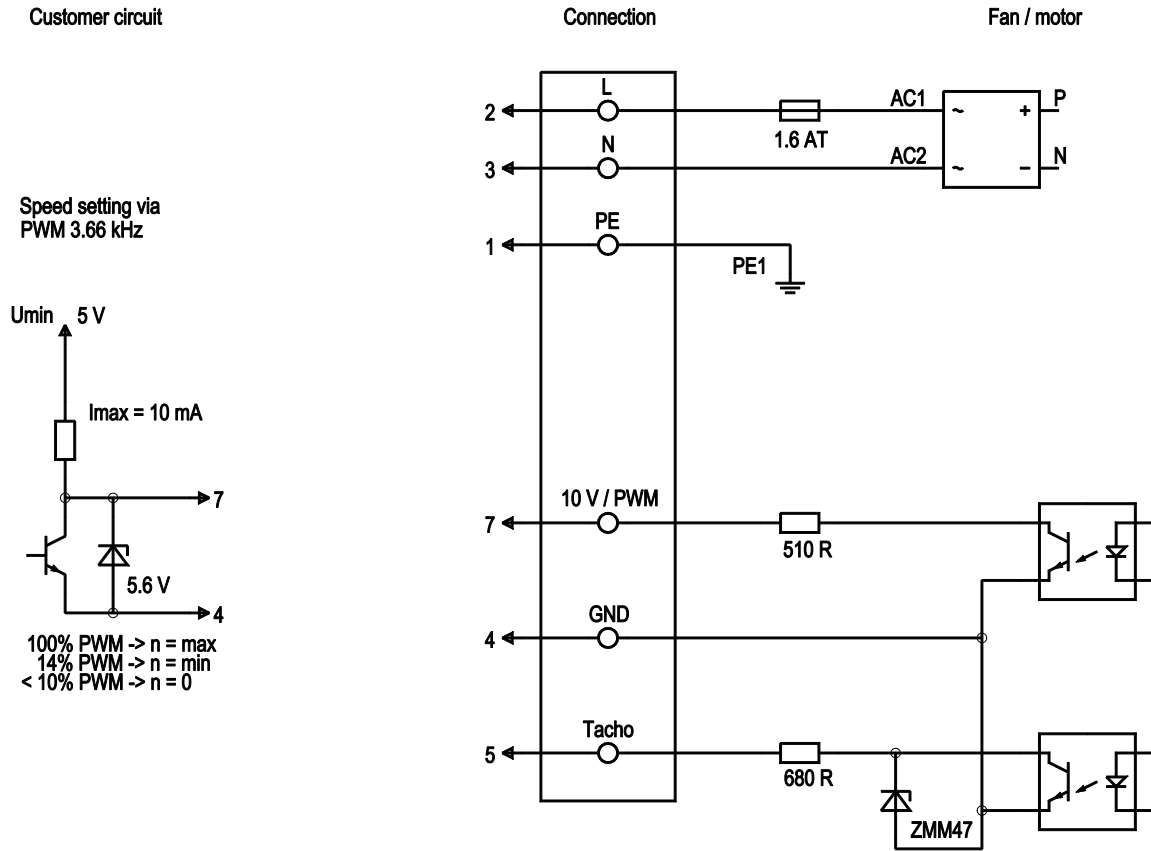
Product drawing



- 3: Blue/L,BN/N  
Housing: JST YLP-03V  
Pins: JST SYF-41T-P0.5A
- 4: Blue/GND, Ye/PWM, White/Tacho  
Housing: JST XMR-03V  
Pins: JST SXM-01T-P0.6
- 5: GN/Ye GND, pins:AMP 160 101-2

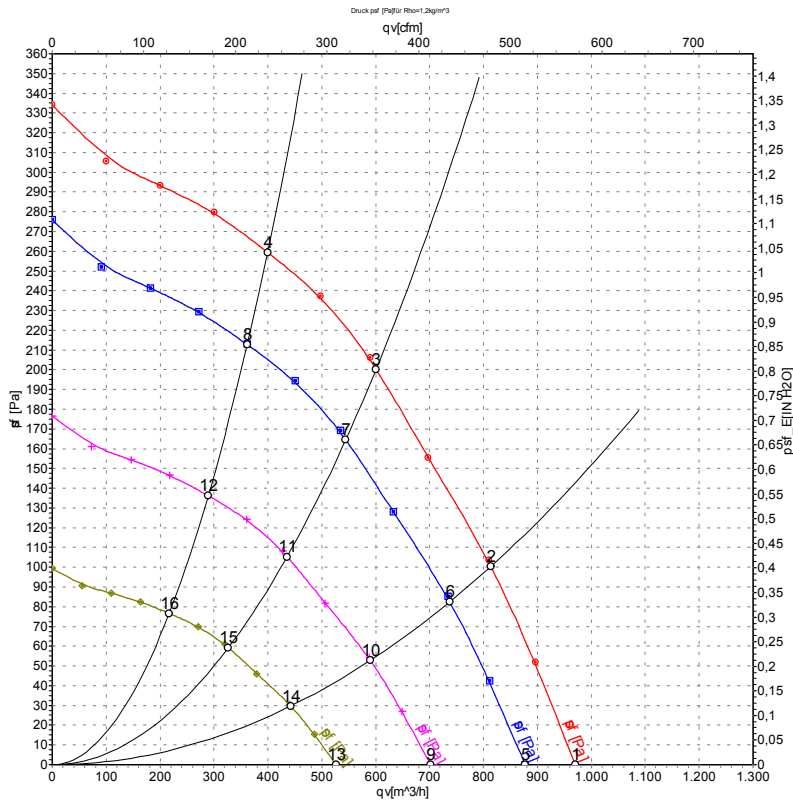


## Connection screen



Line	No.	Signal	Colour	Function / assignment
	1	PE	green/yellow	Protective earth
	2	L	brown	Power supply 230 VAC, 50 - 60 Hz
	3	N	blue	Neutral conductor
	4	GND	blue	GND - Connection for control interface
	5	Tacho	white	Tach output: Open Collector, 1 pulse per revolution, electrically isolated
	7	PWM	yellow	PWM control input, electrically isolated

## Charts: Air flow 50 Hz



Measurement: LU-68528

Air performance measured as per ISO 5801 Installation category A. For detailed information on the measuring set-up, please contact ebmpapst. Suction-side noise levels: LwA measured as per ISO 13347 / LpA measured with 1m distance to fan axis. The values given are valid under the measuring conditions mentioned above and may vary according to the actual installation situation. With any deviation from the standard set-up, the specific values have to be checked and reviewed with the unit installed.

## Measured values

	U	f	n	Pe	I	qv	Psf
	V	Hz	min <sup>-1</sup>	W	A	m <sup>3</sup> /h	Pa
1	230	50	2200	60	0.42	970	0
2	230	50	2200	71	0.53	815	100
3	230	50	2200	80	0.62	600	200
4	230	50	2200	75	0.57	400	260
5	230	50	2000	43	0.32	875	0
6	230	50	2000	53	0.40	735	84
7	230	50	2000	60	0.46	545	165
8	230	50	2000	56	0.43	360	213
9	230	50	1600	22	0.16	700	0
10	230	50	1600	27	0.20	590	54
11	230	50	1600	31	0.24	435	106
12	230	50	1600	29	0.22	290	136
13	230	50	1200	9.3	0.07	525	0
14	230	50	1200	11	0.09	440	30
15	230	50	1200	13	0.10	325	60
16	230	50	1200	12	0.09	215	77

