

R3G225-AE17-C01/A02

EC centrifugal fan

backward curved



ebm-papst Ventilator (Shanghai) Co.,Ltd.
No.418, Hua Jing Road, Wai Gao Qiao Free Trade Zone, Pudong
R3G225-AE17-C01/A02 ebmpapst Datasheet
sales@fansco.com
www.fansco.com

Nominal data

Type	R3G225-AE17-C01/A02	
Motor	M3G055-CF	
Phase		1~
Nominal voltage	VAC	230V
Frequency	Hz	50/60
Type of data definition		ml
Speed	min ⁻¹	2200
Power input	W	60
Current draw	A	0.42
Min. ambient temperature	°C	-25
Max. ambient temperature	°C	50

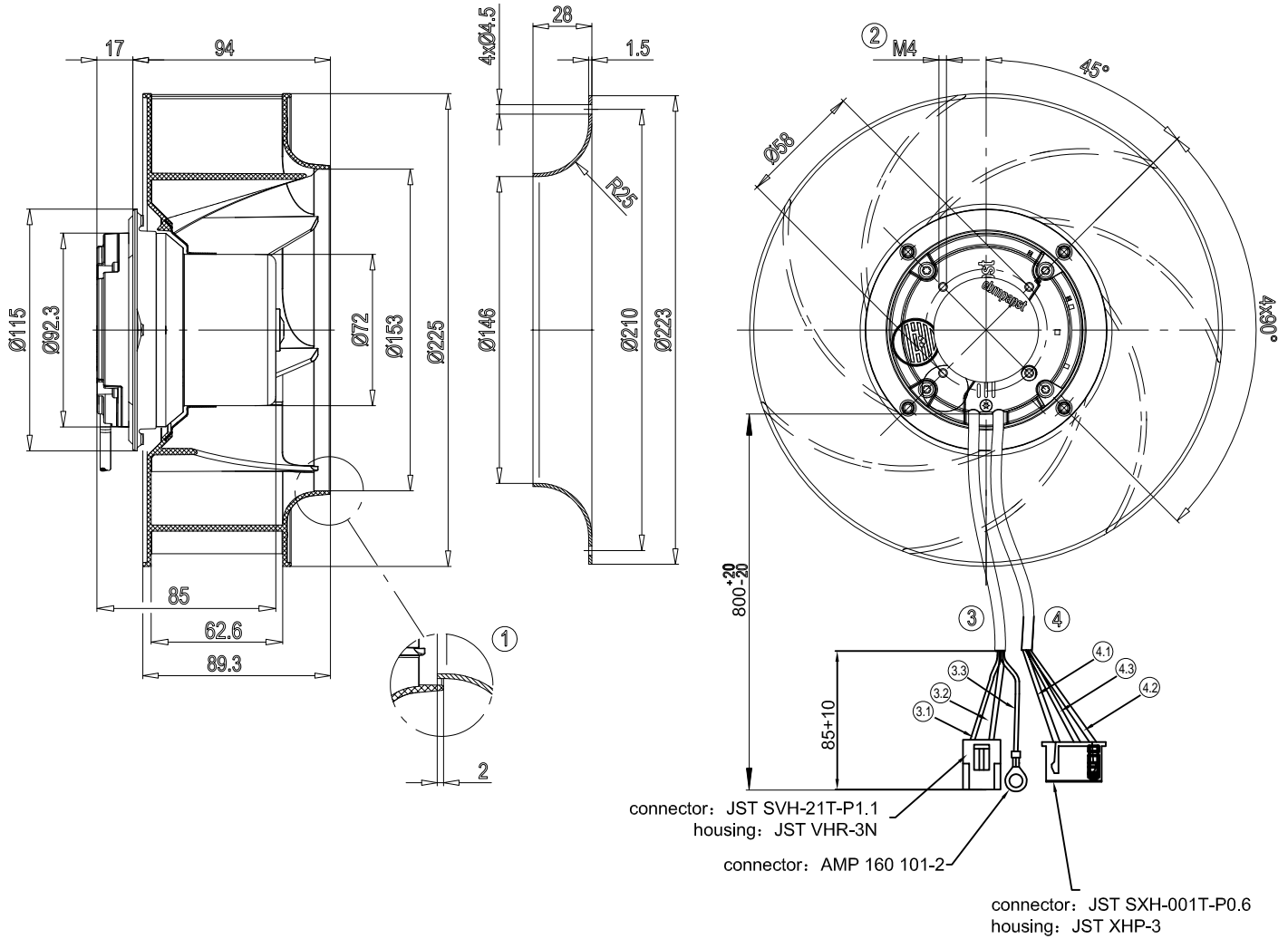
ml = Max. load · me = Max. efficiency · fa = Running at free air · cs = Customer specs · cu = Customer unit
Subject to alterations



Technical features

Mass	1.5 kg
Size	225 mm
Surface of rotor	Thick layer passivated
Material of electronics housing	Die-cast aluminium
Material of impeller	PA plastic
Number of blades	7
Direction of rotation	Clockwise, seen on rotor
Type of protection	IP 44
Insulation class	"B"
Humidity class	F3-1
Max. permissible ambient motor temp. (transp./ storage)	+ 80 °C
Min. permissible ambient motor temp. (transp./storage)	- 40 °C
Mounting position	Any
Condensate discharge holes	Rotor-side
Operation mode	S1
Motor bearing	Ball bearing
Technical features	<ul style="list-style-type: none"> - Tach output - Motor current limit - Soft start - PWM control input
EMC interference immunity	Acc. to EN 61000-6-2 (industrial environment)
EMC harmonics	Acc. to EN 61000-3-2/3
EMC interference emission	Acc. to EN 61000-6-3 (household environment)
Touch current acc. IEC 60990 (measuring network Fig. 4, TN system)	<= 3.5 mA
Electrical leads	see drawing
Motor protection	Locked-rotor protection
Cable exit	Variable
Protection class	I (if protective earth is connected by customer)
Approval	CCC; UL

Product drawing



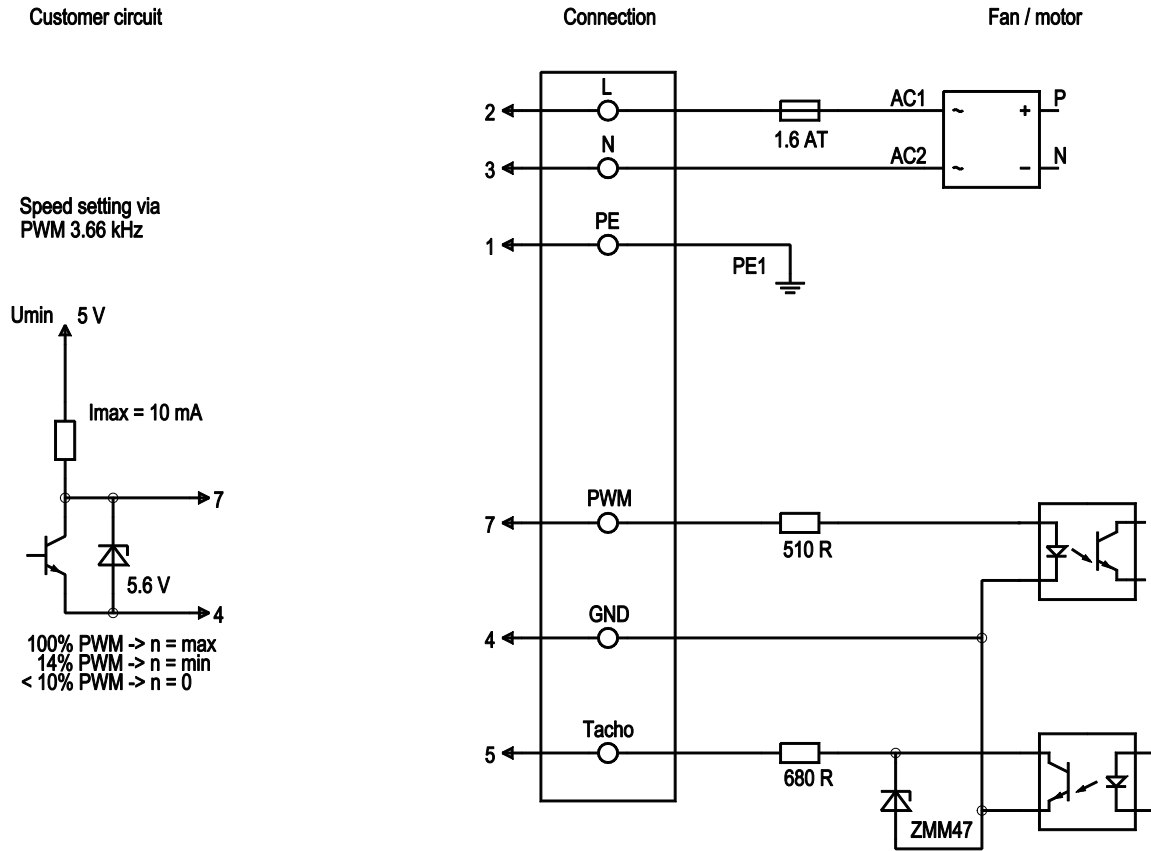
1	Accessory part: Inlet nozzle 96358-2-4013, not included in the standard scope of delivery
2	M4 screw for installation
3	Connection line AWG20
3.1	AC 230V (brown)
3.2	AC neutral (blue)
3.3	PE (green / yellow)
4	Connection line AWG22
4.1	Open loop speed control (yellow)
4.2	Tach output (white)
4.3	GND (blue)



EC centrifugal fan

backward curved

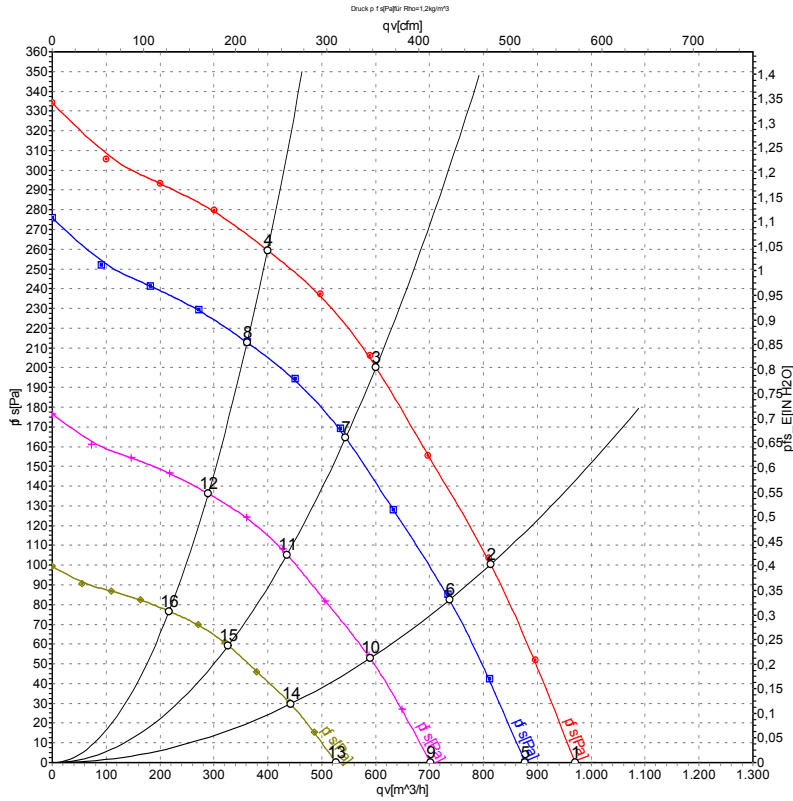
Connection screen



No.	Conn.	Designation	Colour	Function / assignment
1	PE		green/yellow	Protective earth
2	L		brown	Power supply 230 VAC, 50 - 60 Hz
3	N		blue	Neutral conductor
4	GND		blue	GND - Connection for control interface
5	Tach		white	Tach output: Open Collector, 1 pulse per revolution, electrically isolated
7	PWM		yellow	PWM control input, electrically isolated



Charts: Air flow 50 Hz



Air performance measured as per ISO 5801 Installation category A. For detailed information on the measuring set-up, please contact ebmpapst. Suction-side noise levels: LwA measured as per ISO 13347 / LpA measured with 1m distance to fan axis. The values given are valid under the measuring conditions mentioned above and may vary according to the actual installation situation. With any deviation from the standard set-up, the specific values have to be checked and reviewed with the unit installed.

Measured values

	U	f	n	P _{ed}	I	qv	P _{fs}
	V	Hz	min ⁻¹	W	A	m ³ /h	Pa
1	230	50	2200	60	0.42	970	0
2	230	50	2200	71	0.53	815	100
3	230	50	2200	80	0.62	600	200
4	230	50	2200	75	0.57	400	260
5	230	50	2000	43	0.32	875	0
6	230	50	2000	53	0.40	735	84
7	230	50	2000	60	0.46	545	165
8	230	50	2000	56	0.43	360	213
9	230	50	1600	22	0.16	700	0
10	230	50	1600	27	0.20	590	54
11	230	50	1600	31	0.24	435	106
12	230	50	1600	29	0.22	290	136
13	230	50	1200	9.3	0.07	525	0
14	230	50	1200	11	0.09	440	30
15	230	50	1200	13	0.10	325	60
16	230	50	1200	12	0.09	215	77

U = Supply voltage · f = Frequency · n = Speed · P_{ed} = Power input · I = Current draw · qv = Air flow · P_{fs} = Pressure increase

