

R3G220-RG19-08 ebmpapst Datasheet

sales@fansco.com

www.fansco.com

Limited partnership · Headquarters Muldingen

Amtsgericht (court of registration) Stuttgart · HRA 590344

General partner Elektrobau Muldingen GmbH · Headquarters Muldingen

Amtsgericht (court of registration) Stuttgart · HRB 590142

## Nominal data

Type	R3G220-RG19-08	
Motor	M3G055-CF	
Phase		1
Nominal voltage	VAC	230
Nominal voltage range	VAC	200 .. 240
Frequency	Hz	50/60
Method of obtaining data		ml/ce
Speed (rpm)	min <sup>-1</sup>	2790
Power consumption	W	115
Current draw	A	0.97
Min. ambient temperature	°C	-25
Max. ambient temperature	°C	50

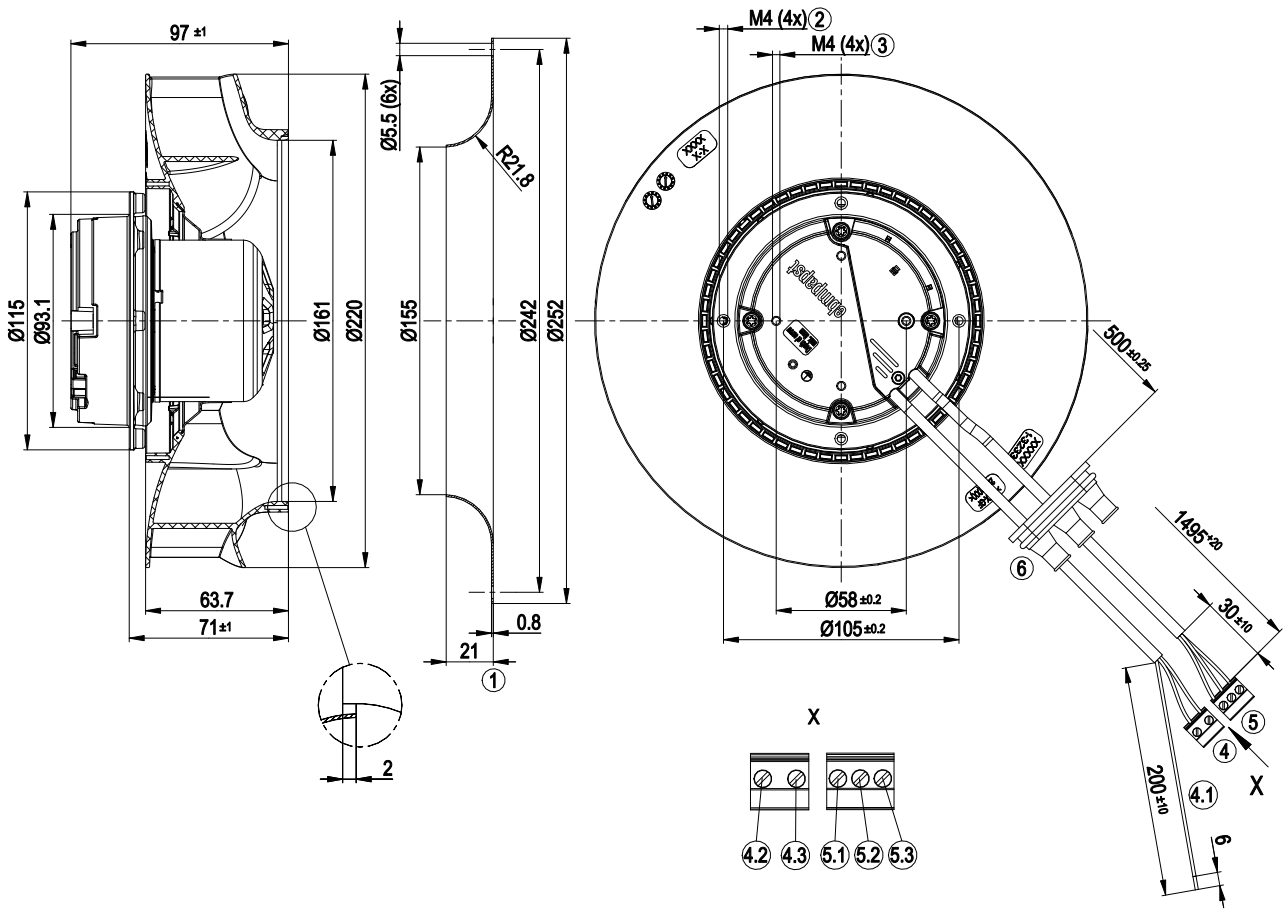
ml = Max. load · me = Max. efficiency · fa = Free air · cs = Customer specification · ce = Customer equipment  
Subject to change



## Technical description

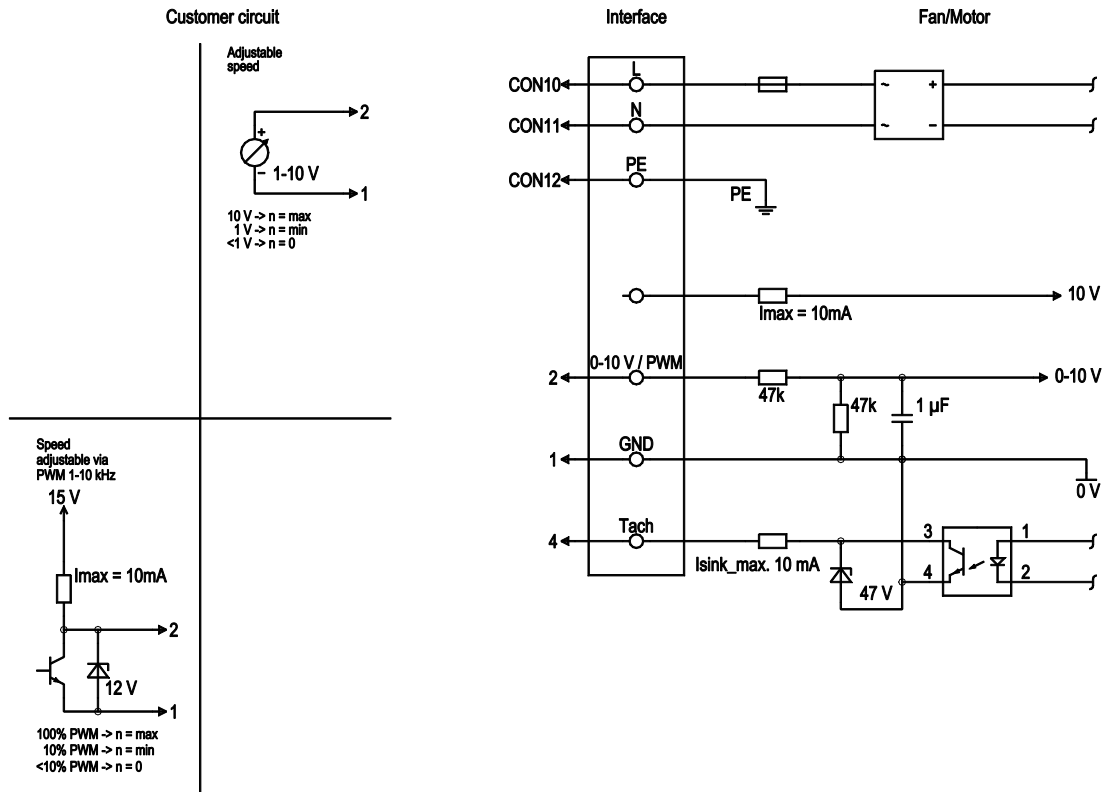
Weight	1.4 kg
Fan size	220 mm
Rotor surface	Thick-film passivated
Impeller material	PA plastic
Number of blades	7
Direction of rotation	Clockwise, viewed toward rotor
Degree of protection	IP54
Insulation class	"B"
Max. permitted ambient temp. for motor (transport/storage)	+ 80 °C
Min. permitted ambient temp. for motor (transport/storage)	- 40 °C
Installation position	Any
Condensation drainage holes	None, open rotor
Mode	S1
Motor bearing	Ball bearing
Technical features	<ul style="list-style-type: none"> <li>- Power limiter</li> <li>- Motor current limitation</li> <li>- Soft start</li> <li>- Control input 0-10 VDC / PWM</li> <li>- Control interface with SELV potential safely disconnected from the mains</li> <li>- Overvoltage detection</li> <li>- Thermal overload protection for electronics/motor</li> <li>- Line undervoltage detection</li> </ul>
EMC immunity to interference	According to EN 61000-6-2 (industrial environment)
EMC circuit feedback	According to EN 61000-3-2/3
EMC interference emission	According to EN 61000-6-3 (household environment)
Touch current according to IEC 60990 (measuring circuit Fig. 4, TN system)	<= 3.5 mA
Electrical hookup	With plug
Motor protection	Locked-rotor protection
With cable	Variable
Protection class	I (with customer connection of protective earth)
Conformity with standards	EN 60335-1; CE

## Product drawing



1	Accessory part: inlet ring 09609-2-4013 not included in scope of delivery
2	Max. clearance for screw 6 mm
3	Max. clearance for screw 6 mm
4	Cable PVC 3G 0.5 mm <sup>2</sup> , 2-pole connector housing Phoenix GMVSTBR 2.5/2-ST
4.1	green/yellow, wire-end splice
4.2	L (brown)
4.3	N (blue)
5	Cable PVC 4x 0.25 mm <sup>2</sup> , 3-pole connector housing Phoenix MVSTBR 2.5/3-ST
5.1	GND (blue)
5.2	0-10 V PWM (yellow)
5.3	Tach (white)
6	Grommet Dutch Rubber Seals no. 860010030

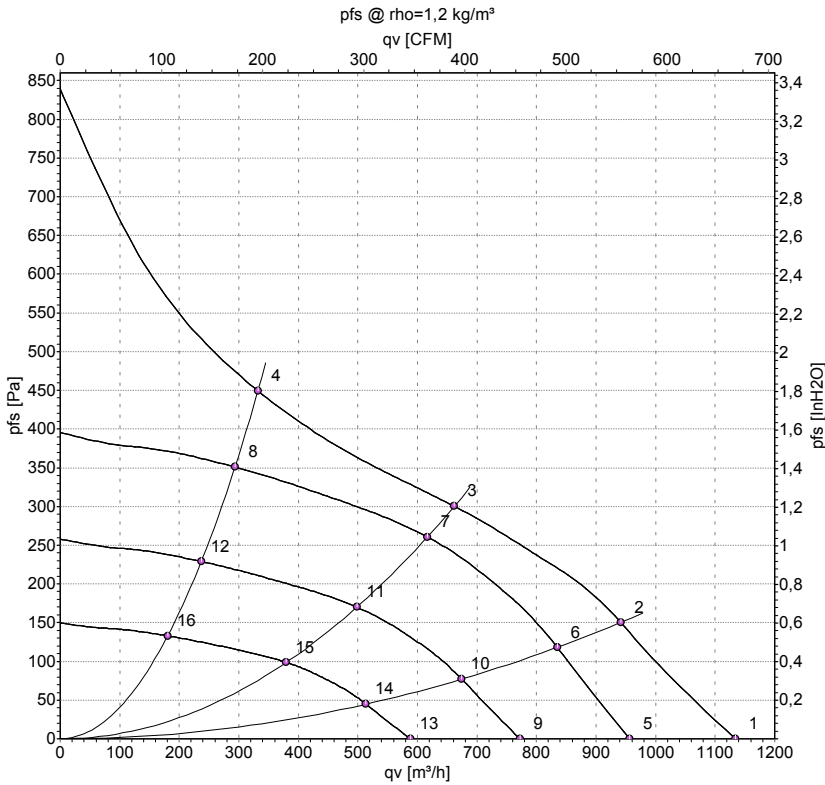
## Connection diagram



No.	Conn.	Designation	Color	Function/assignment
	CON10	L	brown	Supply connection, power supply, phase, see nameplate for voltage range
	CON11	N	blue	Supply connection, power supply, neutral conductor, see nameplate for voltage range
	CON12	PE	green/yellow	Ground connection
	2	0- 10V PWM	yellow	0-10 V / PWM control input, Ri=100 kΩ, SELV
	4	Tach	white	Tach output, open collector, 1 pulse per revolution, Isink max = 10 mA, SELV
	1	GND	blue	Reference ground for control interface, SELV



## Curves: Air performance 50 Hz



Measurement: LU-153395-1

Air performance measured according to ISO 5801 installation category A. For detailed information on the measurement setup, contact ebm-papst. Intake sound level: Sound power level according to ISO 13347 / sound pressure level measured at 1 m distance from fan axis. The values given are valid under the specified measuring conditions and may vary due to conditions of installation. For deviations from the standard configuration, the parameters have to be checked on the installed unit.

## Measured values

	U	f	n	P <sub>ed</sub>	I	LpA <sub>in</sub>	LwA <sub>in</sub>	qv	p <sub>fs</sub>	qv	p <sub>fs</sub>
	V	Hz	min <sup>-1</sup>	W	A	dB(A)	dB(A)	m <sup>3</sup> /h	Pa	CFM	inH2O
1	230	50	3085	115	0.97	67	74	1135	0	665	0.00
2	230	50	2935	115	0.97	62	69	940	150	555	0.60
3	230	50	2790	115	0.97	59	66	660	300	390	1.20
4	230	50	2940	115	0.97	63	70	330	450	195	1.81
5	230	50	2600	70	0.65			955	0	565	0.00
6	230	50	2600	81	0.76			835	118	490	0.47
7	230	50	2600	94	0.88			615	261	365	1.05
8	230	50	2600	80	0.75			295	351	170	1.41
9	230	50	2100	37	0.34			770	0	455	0.00
10	230	50	2100	43	0.40			675	77	395	0.31
11	230	50	2100	50	0.46			500	170	295	0.68
12	230	50	2100	42	0.39			235	229	140	0.92
13	230	50	1600	16	0.15			590	0	345	0.00
14	230	50	1600	19	0.18			515	45	305	0.18
15	230	50	1600	22	0.21			380	99	225	0.40
16	230	50	1600	19	0.17			180	133	105	0.53

U = Power supply · f = Frequency · n = Speed (rpm) · P<sub>ed</sub> = Power consumption · I = Current draw · LpA<sub>in</sub> = Sound pressure level intake side · LwA<sub>in</sub> = Sound power level intake side  
 qv = Air flow · p<sub>fs</sub> = Pressure increase

