

R3G220-RD19-11 ebmpapst Datasheet

sales@fansco.com

www.fansco.com

Limited partnership · Headquarters Muldingen

Amtsgericht (court of registration) Stuttgart · HRA 590344

General partner Elektrobau Muldingen GmbH · Headquarters Muldingen

Amtsgericht (court of registration) Stuttgart · HRB 590142



Nominal data

Type	R3G220-RD19-11	
Motor	M3G055-CF	
Phase		1~
Nominal voltage	VAC	230
Nominal voltage range	VAC	200 .. 240
Frequency	Hz	50/60
Method of obtaining data		ml
Speed (rpm)	min ⁻¹	3085
Power consumption	W	145
Current draw	A	1.2
Min. ambient temperature	°C	-25
Max. ambient temperature	°C	55

ml = Max. load · me = Max. efficiency · fa = Free air · cs = Customer specification · ce = Customer equipment
Subject to change

Data according to ErP Directive

		Actual	Req. 2015			
01 Overall efficiency η_{es}	%	58.2	42.5	09 Power consumption P_{ed}	kW	0.14
02 Measurement category		A		09 Air flow q_v	m ³ /h	805
03 Efficiency category		Static		09 Pressure increase p_{fs}	Pa	328
04 Efficiency grade N		77.7	62	10 Speed (rpm) n	min ⁻¹	3095
05 Variable speed drive		Yes		11 Specific ratio [*]		1.00

Data obtained at optimum efficiency level.

The ErP data is determined using a motor-impeller combination in a standardized measurement setup.

^{*} Specific ratio = $1 + p_{fs} / 100\,000\text{ Pa}$

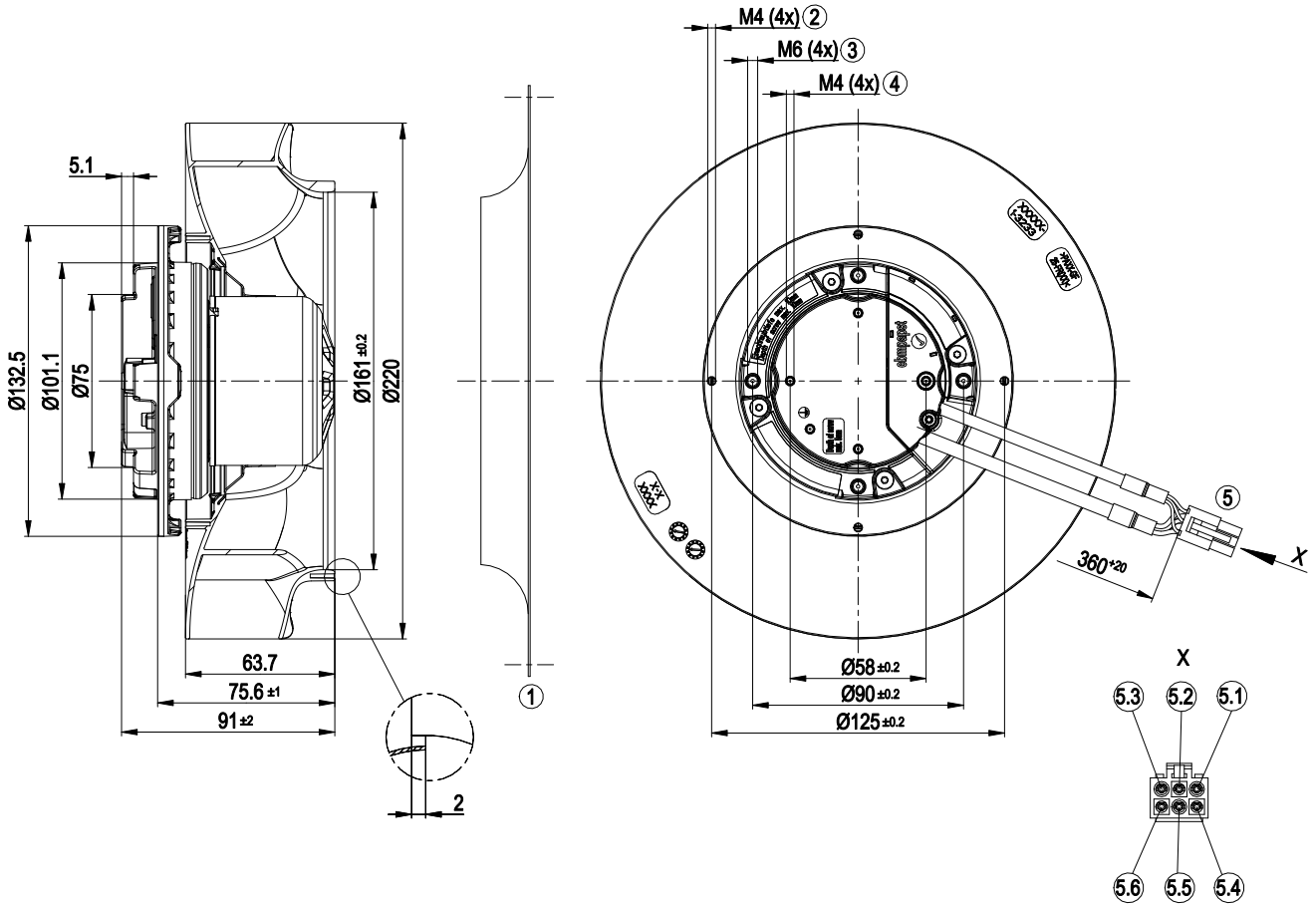
LU-135496



Technical description

Weight	1.5 kg
Fan size	220 mm
Rotor surface	Thick-film passivated
Impeller material	PA plastic
Number of blades	7
Direction of rotation	Clockwise, viewed toward rotor
Degree of protection	IP54
Insulation class	"B"
Max. permitted ambient temp. for motor (transport/storage)	+ 80 °C
Min. permitted ambient temp. for motor (transport/storage)	- 40 °C
Installation position	Any
Condensation drainage holes	None, open rotor
Motor bearing	Ball bearing
Technical features	<ul style="list-style-type: none"> - Tach output - Power limiter - Motor current limitation - Soft start - Control input 0-10 VDC / PWM - Thermal overload protection for motor
Touch current according to IEC 60990 (measuring circuit Fig. 4, TN system)	<= 3.5 mA
Motor protection	Locked-rotor protection
With cable	Variable
Protection class	I (with customer connection of protective earth)
Conformity with standards	EN 60335-1; CE

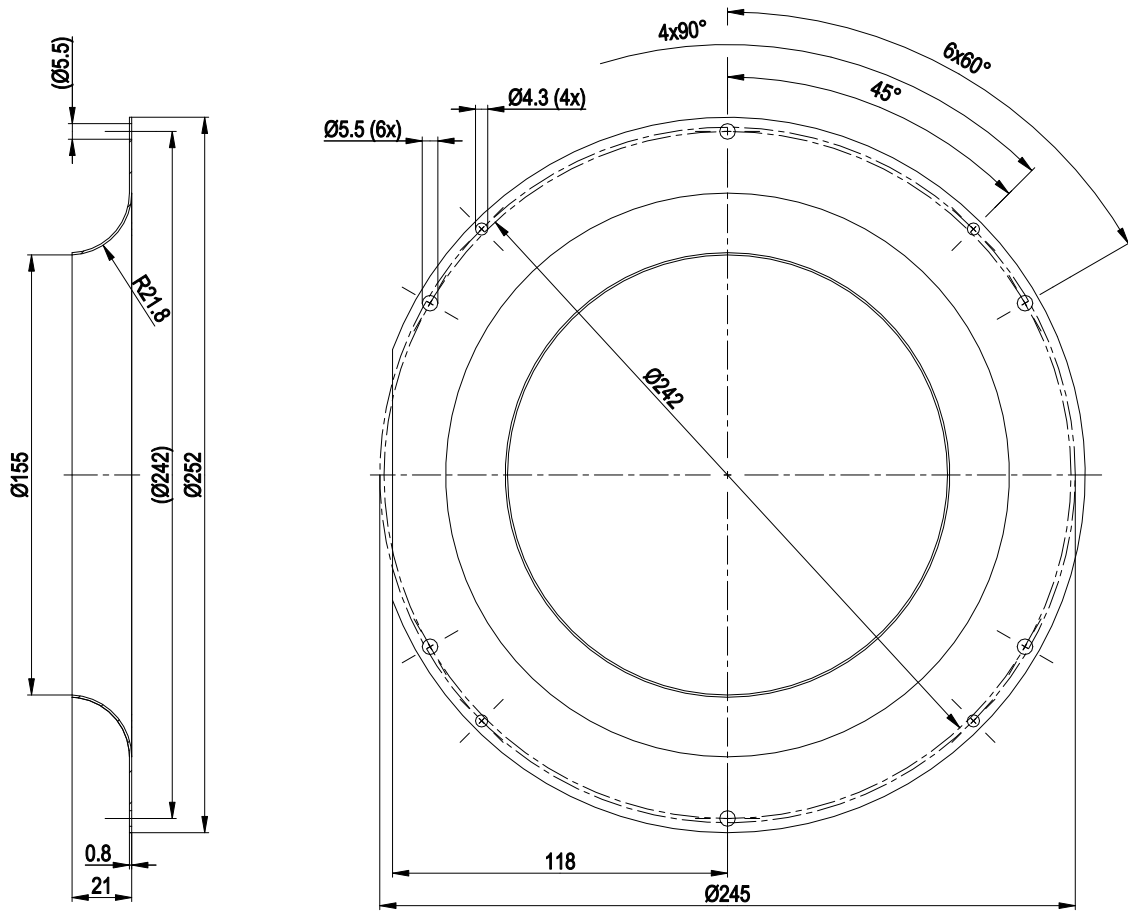
Product drawing



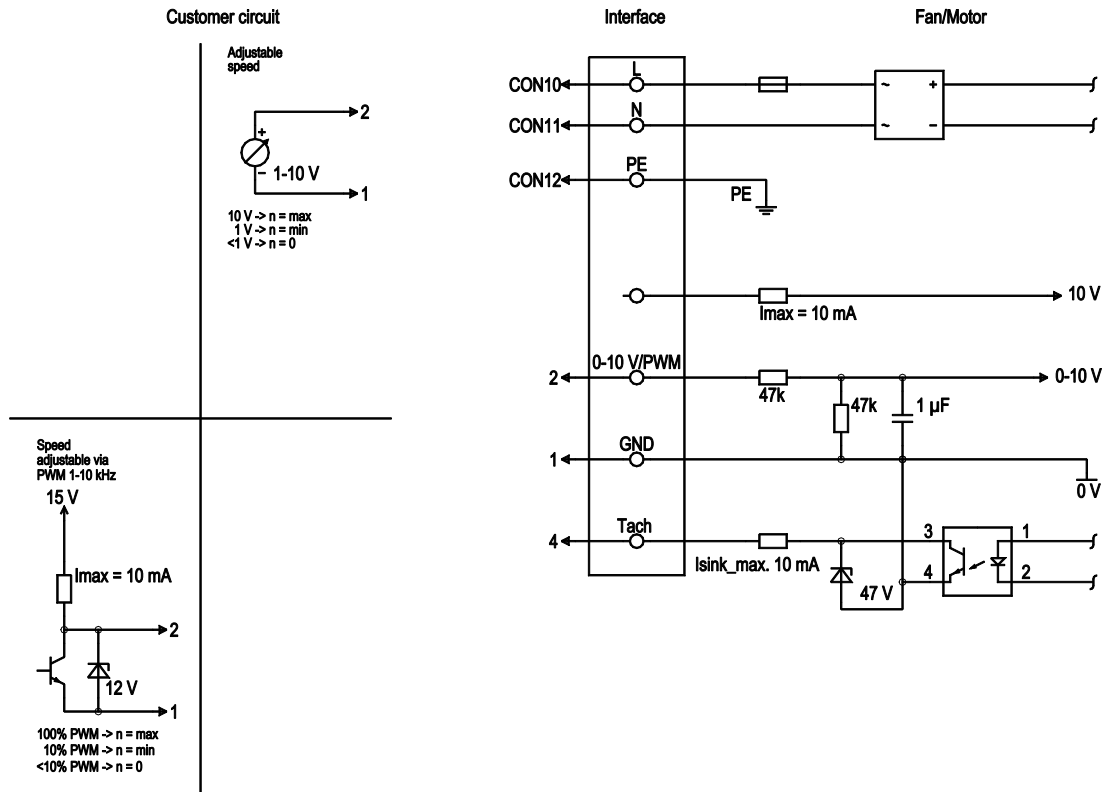
1	Accessory part: inlet ring 09609-2-4013 not included in scope of delivery
2	Max. clearance for screw 5 mm
3	Max. clearance for screw 10 mm
4	Max. clearance for screw 5 mm
5	Cable PVC 3G 0.5 mm ² , cable 4x 0.25 mm ² , 6-pole connector housing JST ELP-06V, 3x socket SLF-41T-P1.3E, 3x socket SLF-01T-P1.3E
5.1	Tach (white)
5.2	0-10 V PWM (yellow)
5.3	GND (blue)
5.4	L (black)
5.5	N (blue)
5.6	PE (green/yellow)



Accessory part

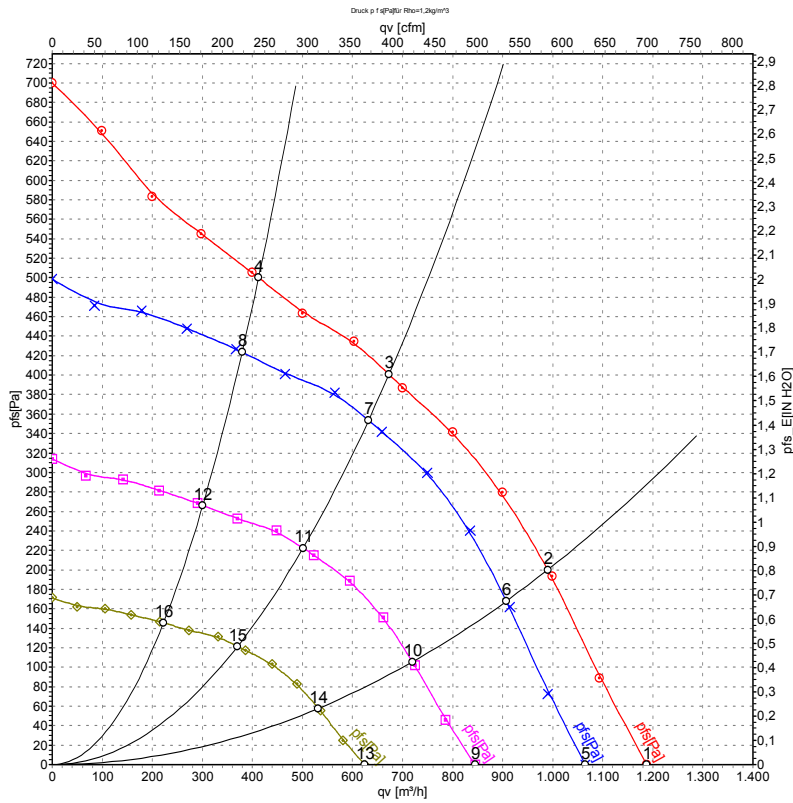


Connection diagram



No.	Conn.	Designation	Color	Function/assignment
	CON10	L	black	Supply connection, power supply, phase, see nameplate for voltage range
	CON11	N	blue	Supply connection, power supply, neutral conductor, see nameplate for voltage range
	CON12	PE	green/yellow	Ground connection
	2	0- 10V PWM	yellow	0-10 V / PWM control input, $R_i=100 \text{ k}\Omega$, SELV
	4	Tach	white	Tach output, open collector, 1 pulse per revolution, $I_{sink \text{ max}} = 10 \text{ mA}$, SELV
	1	GND	blue	Reference ground for control interface, SELV

Curves: Air performance 50 Hz



Measurement: LU-135496-1

Air performance measured according to ISO 5801 installation category A. For detailed information on the measurement setup, contact ebmpapst. Intake sound level: Sound power level according to ISO 13347 / sound pressure level measured at 1 m distance from fan axis. The values given are valid under the specified measuring conditions and may vary due to conditions of installation. For deviations from the standard configuration, the parameters have to be checked on the installed unit.

Measured values

	U	f	n	P _{ed}	I	qv	p _{fs}	qv	p _{fs}
	V	Hz	min ⁻¹	W	A	m ³ /h	Pa	CFM	inH2O
1	230	50	3235	120	0.98	1190	0	700	0.00
2	230	50	3165	134	1.09	990	200	585	0.80
3	230	50	3085	145	1.20	675	400	395	1.61
4	230	50	3150	136	1.09	410	500	240	2.01
5	230	50	2900	86	0.71	1065	0	625	0.00
6	230	50	2900	103	0.84	905	169	535	0.68
7	230	50	2900	119	0.96	630	354	370	1.42
8	230	50	2900	106	0.85	380	424	225	1.70
9	230	50	2300	43	0.35	845	0	495	0.00
10	230	50	2300	51	0.42	720	106	425	0.43
11	230	50	2300	59	0.48	500	222	295	0.89
12	230	50	2300	53	0.42	300	267	175	1.07
13	230	50	1700	17	0.14	625	0	365	0.00
14	230	50	1700	21	0.17	530	58	315	0.23
15	230	50	1700	24	0.19	370	122	220	0.49
16	230	50	1700	21	0.17	220	146	130	0.59

U = Power supply · f = Frequency · n = Speed (rpm) · P_{ed} = Power consumption · I = Current draw · qv = Air flow · p_{fs} = Pressure increase

