

R3G220-RC11-12 ebmpapst Datasheet

sales@fansco.com

www.fansco.com

Limited partnership · Headquarters Muldingen

Amtsgericht (court of registration) Stuttgart · HRA 590344

General partner Elektrobau Muldingen GmbH · Headquarters Muldingen

Amtsgericht (court of registration) Stuttgart · HRB 590142

Nominal data

Type	R3G220-RC11-12	
Motor	M3G055-BI	
Phase		1~
Nominal voltage	VAC	115
Nominal voltage range	VAC	100 .. 130
Frequency	Hz	50/60
Method of obtaining data		ml
Speed (rpm)	min ⁻¹	2330
Power consumption	W	65
Current draw	A	0.95
Min. ambient temperature	°C	-25
Max. ambient temperature	°C	60

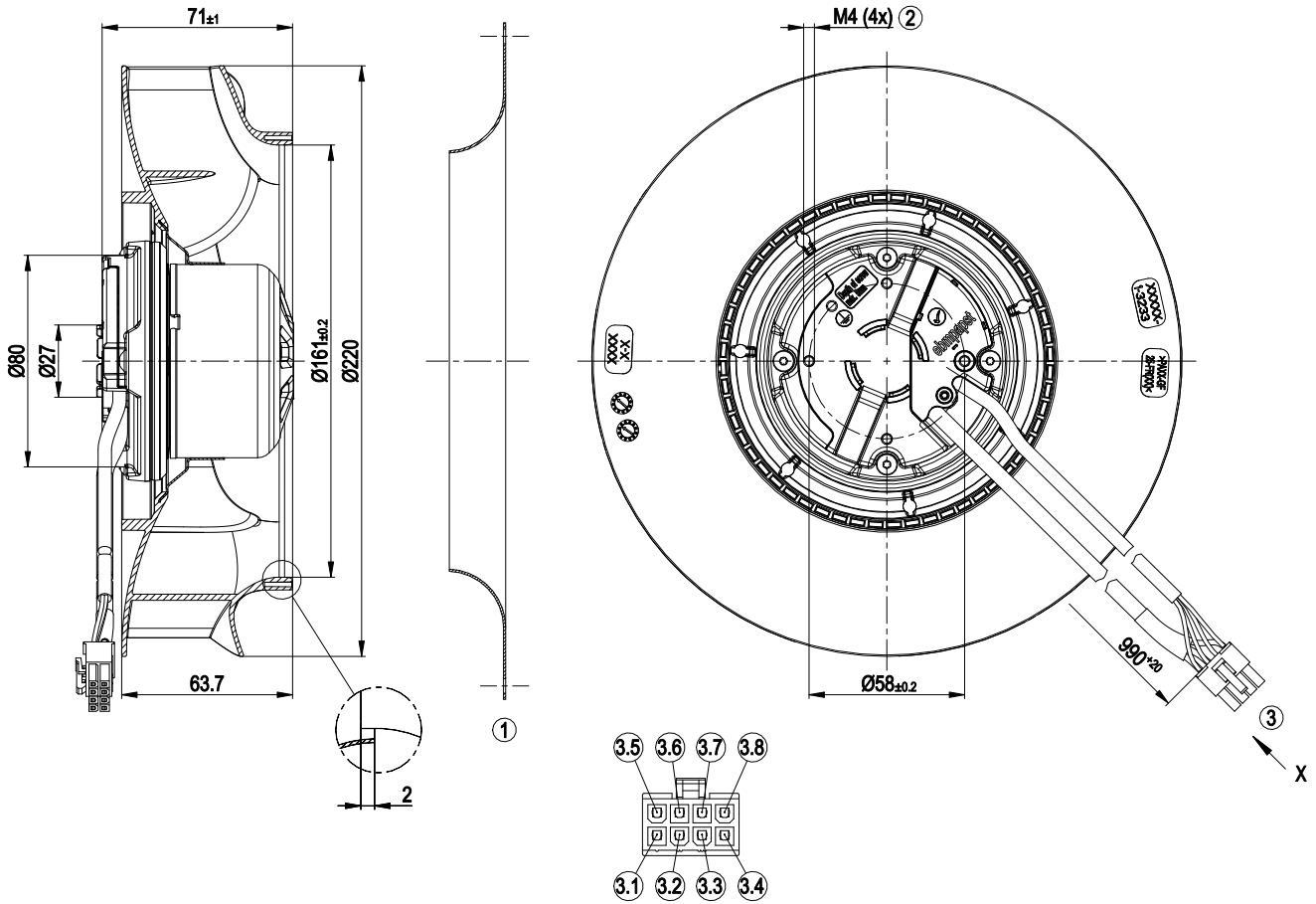
ml = Max. load · me = Max. efficiency · fa = Free air · cs = Customer specification · ce = Customer equipment
Subject to change



Technical description

Weight	1.1 kg
Fan size	220 mm
Rotor surface	Thick-film passivated
Impeller material	PA plastic
Number of blades	7
Direction of rotation	Clockwise, viewed toward rotor
Degree of protection	IP54
Insulation class	"B"
Max. permitted ambient temp. for motor (transport/storage)	+ 80 °C
Min. permitted ambient temp. for motor (transport/storage)	- 40 °C
Installation position	Any
Condensation drainage holes	None, open rotor
Mode	S1
Motor bearing	Ball bearing
Technical features	<ul style="list-style-type: none"> - Output 10 VDC, max. 1.1 mA - Tach output - Power limiter - Motor current limitation - Soft start - Control input 0-10 VDC / PWM - Control interface with SELV potential safely disconnected from the mains - Thermal overload protection for motor
Touch current according to IEC 60990 (measuring circuit Fig. 4, TN system)	<= 3.5 mA
Motor protection	Locked-rotor protection
With cable	Variable
Protection class	I (with customer connection of protective earth)
Conformity with standards	EN 60335-1; CE
Approval	CSA C22.2 No. 77; UL 2111

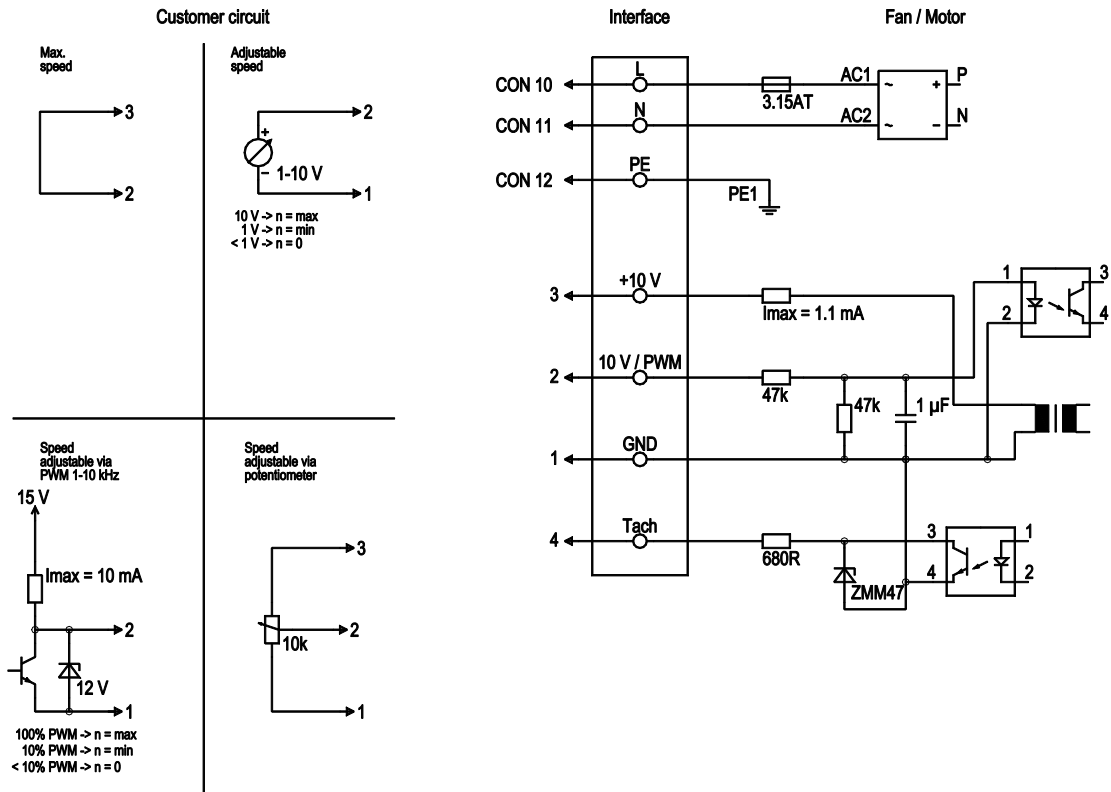
Product drawing



1	Accessory part: inlet ring 09609-2-4013 not included in scope of delivery
2	Max. clearance for screw 5 mm
3	Cable PVC AWG20, cable PVC AWG22, 8-pole connector housing Molex 46992-0810, 7x socket Molex 39-00-0059
3.1	black
3.2	blue
3.3	not used
3.4	green/yellow
3.5	red
3.6	blue
3.7	yellow
3.8	white

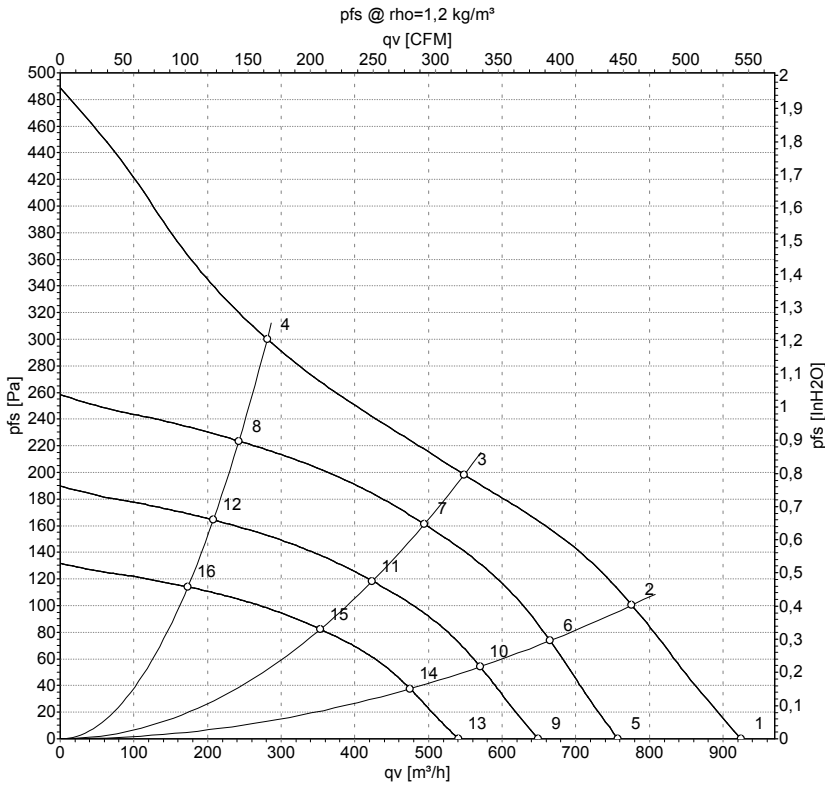


Connection diagram



No.	Conn.	Designation	Color	Function/assignment
	CON10	L	black	Power supply 115 VAC, 50-60 Hz, see nameplate for voltage range
	CON11	N	blue	Neutral conductor
	CON12	PE	green/yellow	Protective earth
	3	10V/ max 1.1mA	red	Voltage output 10 V / 1.1 mA, electrically isolated, not short-circuit-proof.
	2	0- 10V PWM	yellow	Control input 0-10 V or PWM, electrically isolated
	1	GND	blue	GND connection for control interface
	4	Tacho	white	Tach output: open collector, 1 pulse per revolution, electrically isolated

Curves: Air performance 50 Hz



Measurement: LU-147073-1

Air performance measured according to ISO 5801 installation category A. For detailed information on the measurement setup, contact ebm-papst. Intake sound level: Sound power level according to ISO 13347 / sound pressure level measured at 1 m distance from fan axis. The values given are valid under the specified measuring conditions and may vary due to conditions of installation. For deviations from the standard configuration, the parameters have to be checked on the installed unit.

Measured values

	U	f	n	P _{ed}	I	LpA _{in}	LwA _{in}	qv	p _{fs}	qv	p _{fs}
	V	Hz	min ⁻¹	W	A	dB(A)	dB(A)	m ³ /h	Pa	CFM	inH2O
1	115	50	2565	65	0.95	62	69	925	0	545	0.00
2	115	50	2450	65	0.95	58	66	775	100	455	0.40
3	115	50	2330	65	0.95	55	62	550	200	325	0.80
4	115	50	2430	65	0.95	59	67	280	300	165	1.20
5	115	50	2100	36	0.52	57	64	755	0	445	0.00
6	115	50	2100	41	0.60	54	62	665	74	390	0.30
7	115	50	2100	48	0.69	52	60	495	161	290	0.65
8	115	50	2100	42	0.61	54	62	245	224	145	0.90
9	115	50	1800	23	0.33	53	60	650	0	380	0.00
10	115	50	1800	26	0.38	50	58	570	54	335	0.22
11	115	50	1800	30	0.44	48	56	425	119	250	0.48
12	115	50	1800	26	0.39	50	58	210	164	120	0.66
13	115	50	1500	13	0.19	48	56	540	0	320	0.00
14	115	50	1500	15	0.22	46	53	475	38	280	0.15
15	115	50	1500	17	0.25	43	51	355	82	210	0.33
16	115	50	1500	15	0.22	46	53	175	114	100	0.46

U = Power supply · f = Frequency · n = Speed (rpm) · P_{ed} = Power consumption · I = Current draw · LpA_{in} = Sound pressure level intake side · LwA_{in} = Sound power level intake side
 qv = Air flow · p_{fs} = Pressure increase

