

# EC centrifugal fan

backward-curved, single-intake

Automotive

R3G220-AC08-45 ebmpapst Datasheet

sales@fansco.com

www.fansco.com

Limited partnership · Headquarters Muldingen

Amtsgericht (court of registration) Stuttgart · HRA 590344

General partner Elektrobau Muldingen GmbH · Headquarters Muldingen

Amtsgericht (court of registration) Stuttgart · HRB 590142

## Nominal data

Type	R3G220-AC08-45	
Motor	M3G074-CF	
Nominal voltage	VDC	24
Nominal voltage range	VDC	15 .. 32
Method of obtaining data		fa
Speed (rpm)	min <sup>-1</sup>	4100
Power consumption	W	230
Current draw	A	9.5
Min. ambient temperature	°C	-25
Max. ambient temperature	°C	70

ml = Max. load · me = Max. efficiency · fa = Free air · cs = Customer specification · ce = Customer equipment  
Subject to change



## Technical description

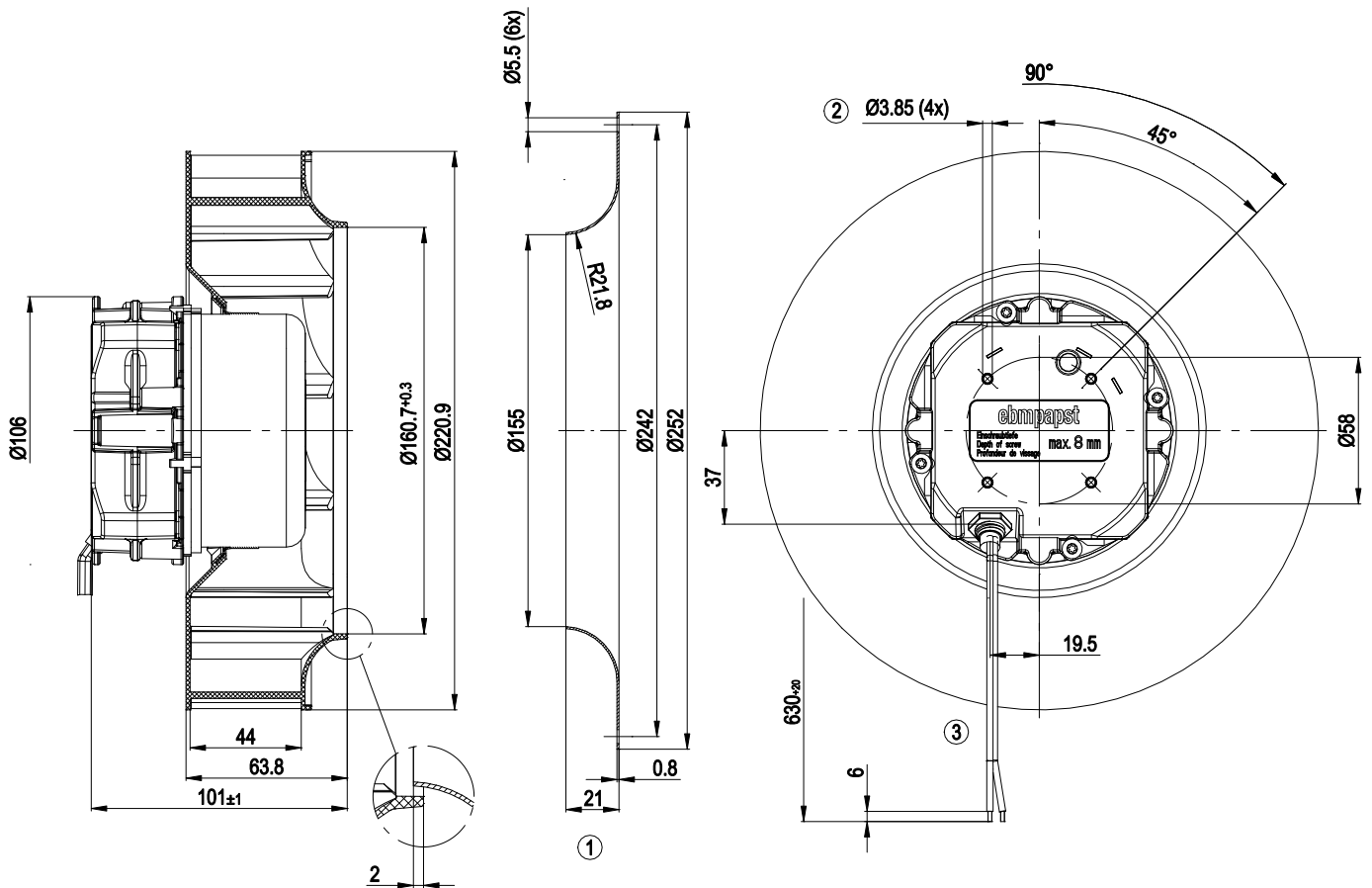
<b>Weight</b>	2 kg
<b>Fan size</b>	220 mm
<b>Rotor surface</b>	Painted black
<b>Electronics housing material</b>	Die-cast aluminum
<b>Impeller material</b>	PA66 plastic, sheet-metal plate painted black
<b>Number of blades</b>	11
<b>Direction of rotation</b>	Clockwise, viewed toward rotor
<b>Degree of protection</b>	IP44
<b>Insulation class</b>	"B"
<b>Moisture (F) / Environmental (H) protection class</b>	F3-2
<b>Max. permitted ambient temp. for motor (transport/storage)</b>	+ 80 °C
<b>Min. permitted ambient temp. for motor (transport/storage)</b>	- 40 °C
<b>Installation position</b>	Shaft horizontal or rotor on bottom; rotor on top on request
<b>Condensation drainage holes</b>	None
<b>Mode</b>	S1
<b>Motor bearing</b>	Ball bearing
<b>Technical features</b>	<ul style="list-style-type: none"> <li>- Control input 0-10 VDC / PWM</li> <li>- Tach output</li> <li>- Thermal overload protection for electronics/motor</li> <li>- Undervoltage detection</li> <li>- Motor current limitation</li> <li>- Soft start</li> </ul>
<b>EMC regulations</b>	VDE 0879-2, interference suppression grade 5
<b>Motor protection</b>	Reverse polarity and locked-rotor protection
<b>With cable</b>	Lateral
<b>Protection class</b>	III
<b>Approval</b>	CSA C22.2 No. 113; UL 507
<b>Comment</b>	Only high-voltage test according to EN 60335-1 with 900 VDC.

# EC centrifugal fan

backward-curved, single-intake

Automotive

## Product drawing



1	Accessory part: Inlet ring 09609-2-4013, not included in scope of delivery
2	Max. clearance for screw 8 mm
3	Cable PVC 2x AWG14, 2x AWG22, tin-plated ends of cable

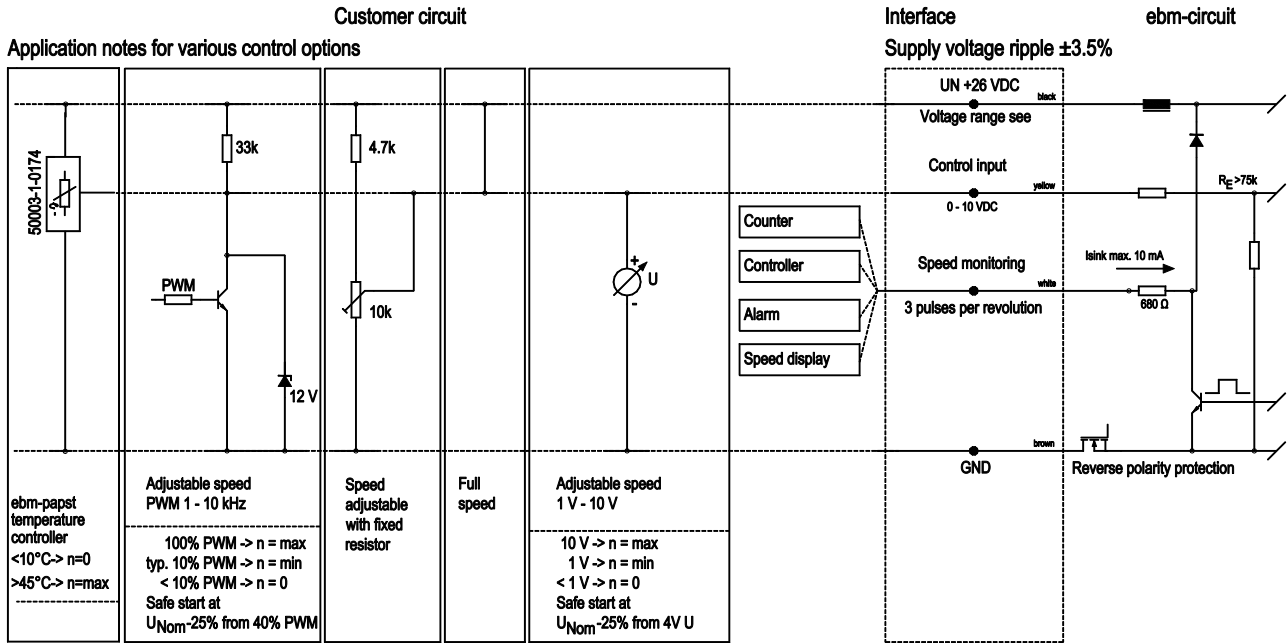


# EC centrifugal fan

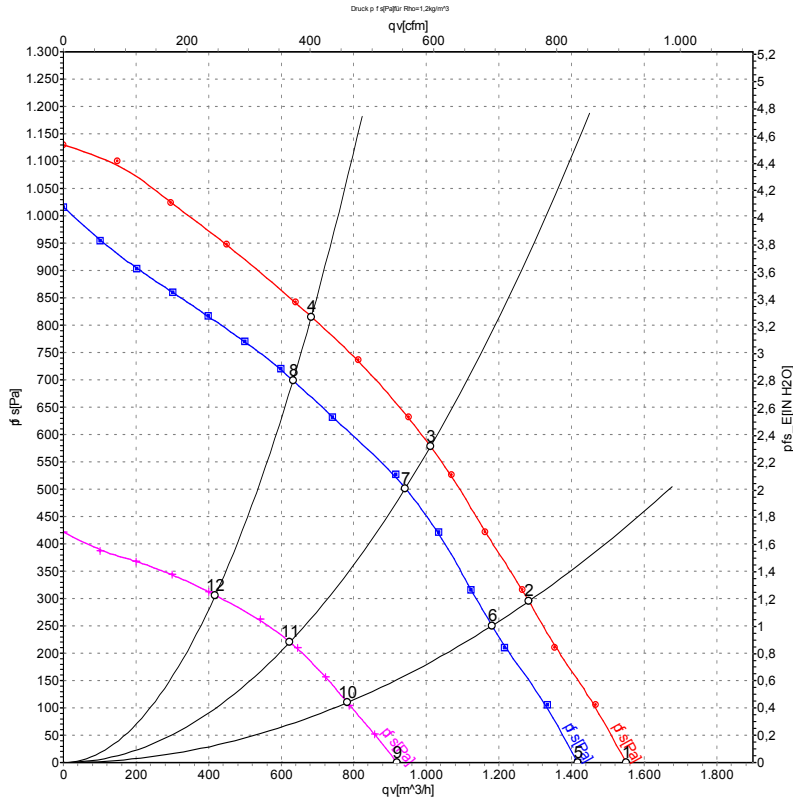
backward-curved, single-intake

Automotive

## Connection diagram



## Curves: Air performance



Measurement: LU-68024-1  
 Measurement: LU-67963-1  
 Measurement: LU-67964-1

Air performance measured according to ISO 5801 installation category A. For detailed information on the measurement setup, contact ebmpapst. Intake sound level: Sound power level according to ISO 13347 / sound pressure level measured at 1 m distance from fan axis. The values given are valid under the specified measuring conditions and may vary due to conditions of installation. For deviations from the standard configuration, the parameters have to be checked on the installed unit.

## Measured values

	U	n	P <sub>ed</sub>	I	qv	p <sub>fs</sub>	qv	p <sub>fs</sub>
	V	min <sup>-1</sup>	W	A	m <sup>3</sup> /h	Pa	CFM	inH <sub>2</sub> O
1	32	4485	296	9.24	1550	0	910	0.00
2	32	4370	345	10.78	1280	296	755	1.19
3	32	4245	373	11.65	1010	578	595	2.32
4	32	4235	367	11.48	685	816	400	3.28
5	24	4100	230	9.50	1420	0	835	0.00
6	24	4015	269	11.22	1180	250	695	1.00
7	24	3900	300	12.51	940	500	555	2.01
8	24	3930	290	12.07	635	700	375	2.81
9	15	2700	74	4.94	920	0	540	0.00
10	15	2645	86	5.72	780	110	460	0.44
11	15	2615	95	6.31	625	221	365	0.89
12	15	2595	92	6.15	420	306	245	1.23

U = Power supply · n = Speed (rpm) · P<sub>ed</sub> = Power consumption · I = Current draw · qv = Air flow · p<sub>fs</sub> = Pressure increase

