

R3G190-RNA6-01 ebmpapst Datasheet

sales@fansco.com

www.fansco.com

Limited partnership · Headquarters Muldingen
County court Stuttgart · HRA 590344

General partner Elektrobau Muldingen GmbH · Headquarters Muldingen
County court Stuttgart · HRB 590142



Nominal data

Type	R3G190-RNA6-01	
Motor	M3G074-CF	
Nominal voltage	VDC	24
Nominal voltage range	VDC	16 .. 28
Type of data definition		fa
Speed	min ⁻¹	4500
Power input	W	195
Current draw	A	8.0
Min. ambient temperature	°C	-25
Max. ambient temperature	°C	+60

ml = max. load · me = max. efficiency · fa = running at free air · cs = customer specs · cu = customer unit
Subject to alterations

Data according to ErP directive

Installation category	A
Efficiency category	Static
Variable speed drive	Yes
Specific ratio*	1.01

* Specific ratio = $1 + p_b / 100\,000\text{ Pa}$

		Actual	Request 2013	Request 2015
Overall efficiency η_{es}		45.5	40.6	44.6
Efficiency grade N		62.9	58	62
Power input P_e	kW	0.22		
Air flow q_v	m ³ /h	450		
Pressure increase p_{fs}	Pa	728		
Speed n	min ⁻¹	4635		

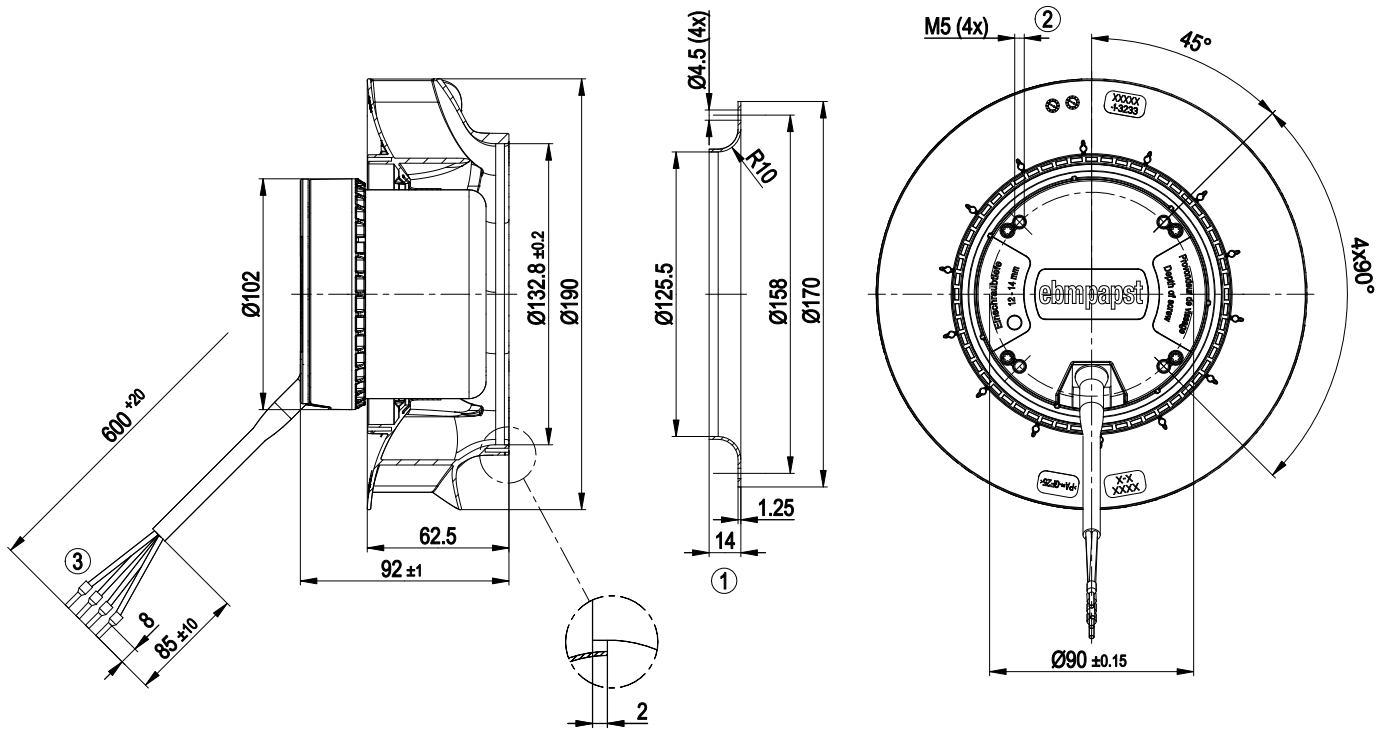
Data established at point of optimum efficiency



Technical features

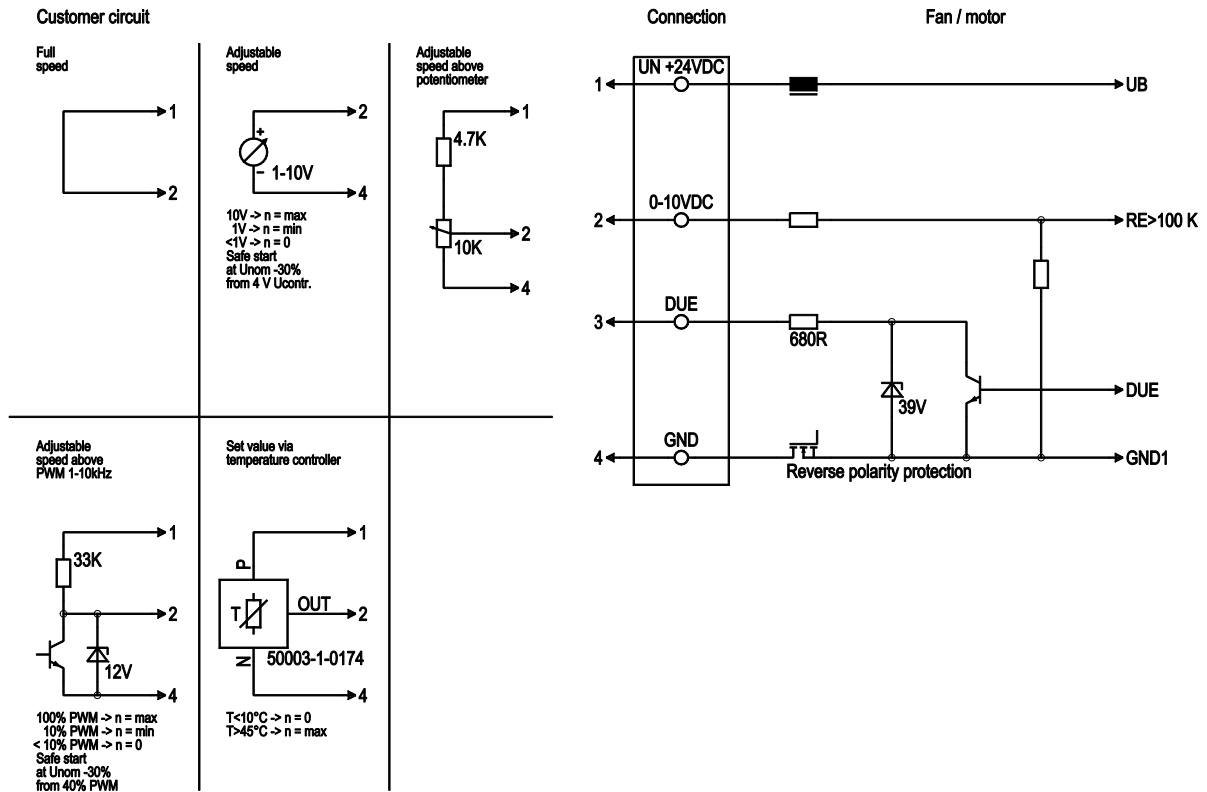
Mass	1.89 kg
Size	190 mm
Surface of rotor	Coated in black
Material of impeller	PA plastic
Number of blades	7
Direction of rotation	Clockwise, seen on rotor
Type of protection	IP 44
Insulation class	"B"
Humidity class	F3-1
Max. permissible ambient motor temp. (transp./ storage)	+80 °C
Min. permissible ambient motor temp. (transp./storage)	-40 °C
Mounting position	Any
Condensate discharge holes	None
Operation mode	S1
Motor bearing	Ball bearing
Technical features	<ul style="list-style-type: none"> - Tach output - Motor current limit - Soft start - Control input 0-10 VDC / PWM - Over-temperature protected electronics
EMC interference immunity	Acc. to EN 61000-6-2 (industrial environment)
EMC interference emission	Acc. to EN 55022 (Class B, household environment)
Motor protection	Reverse polarity and locked-rotor protection
Cable exit	Variable
Protection class	I (if protective earth is connected by customer at the connection point of the housing)
Product conforming to standard	EN 60950-1

Product drawing



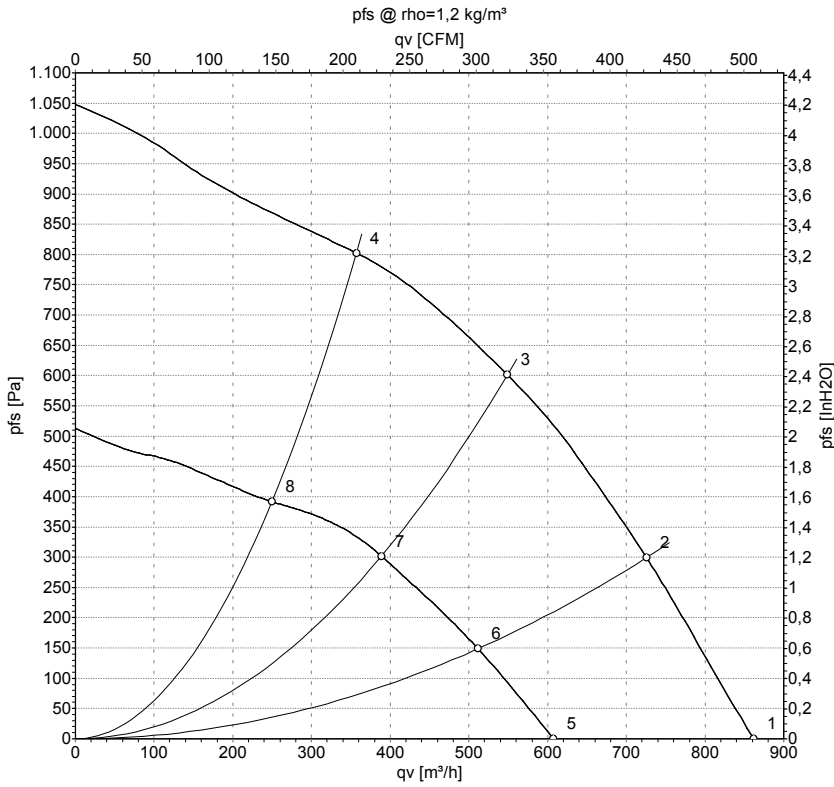
1	Accessory part: Inlet nozzle 09576-2-4013, not included in the standard scope of delivery
2	Depth of screw 12 - 14 mm
3	Connection line PVC AWG16, 4 x crimped core-end sleeve

Connection screen



Line	No.	Signal	Colour	Function / assignment
	1	Un +24 VDC	red	Power supply 24 VDC, residual ripple 3.5 %
	2	0-10 VDC	yellow	Control input Re > 100 K
	3	Tach	white	Speed monitoring output, 3 pulses per revolution, Isink max = 10 mA
	4	GND	blue	Reference mass

Charts: Air flow



Measurement: LU-147415
Measurement: LU-147431

Air performance measured as per ISO 5801 Installation category A. For detailed information on the measuring set-up, please contact ebm-papst. Suction-side noise levels: LwA measured as per ISO 13347 / LpA measured with 1m distance to fan axis. The values given are valid under the measuring conditions mentioned above and may vary according to the actual installation situation. With any deviation from the standard set-up, the specific values have to be checked and reviewed with the unit installed.

Measured values

	U	n	P _{ed}	I	LpA _{in}	LwA _{in}	qv	p _{fs}
	V	min ⁻¹	W	A	dB(A)	dB(A)	m ³ /h	Pa
1	24-28	4500	195	8.00*	74	82	860	0
2	24-28	4410	206	8.57*	71	79	725	300
3	24-28	4415	224	9.30*	70	78	550	600
4	24-28	4480	210	8.73*	72	80	355	800
5	16	3170	82	5.11			605	0
6	16	3150	84	5.27			510	149
7	16	3130	88	5.53			390	302
8	16	3150	85	5.30			250	391

U = Supply voltage · n = Speed · P_{ed} = Power input · I = Current draw · * = Current measured at rated voltage · LpA_{in} = Sound pressure level inlet side · LwA_{in} = Sound power level inlet side
qv = Air flow · p_{fs} = Pressure increase

