

R3G190-RG19-35 ebmpapst Datasheet

sales@fansco.com

www.fansco.com

Limited partnership · Headquarters Muldingen
 County court Stuttgart · HRA 590344

General partner Elektrobau Muldingen GmbH · Headquarters Muldingen
 County court Stuttgart · HRB 590142

Nominal data

Type	R3G190-RG19-35	
Motor	M3G055-CF	
Phase		1~
Nominal voltage	VAC	230
Nominal voltage range	VAC	200 .. 240
Frequency	Hz	50/60
Type of data definition		ml
Speed (rpm)	min ⁻¹	3255
Power input	W	85
Current draw	A	0.75
Min. ambient temperature	°C	-25
Max. ambient temperature	°C	60

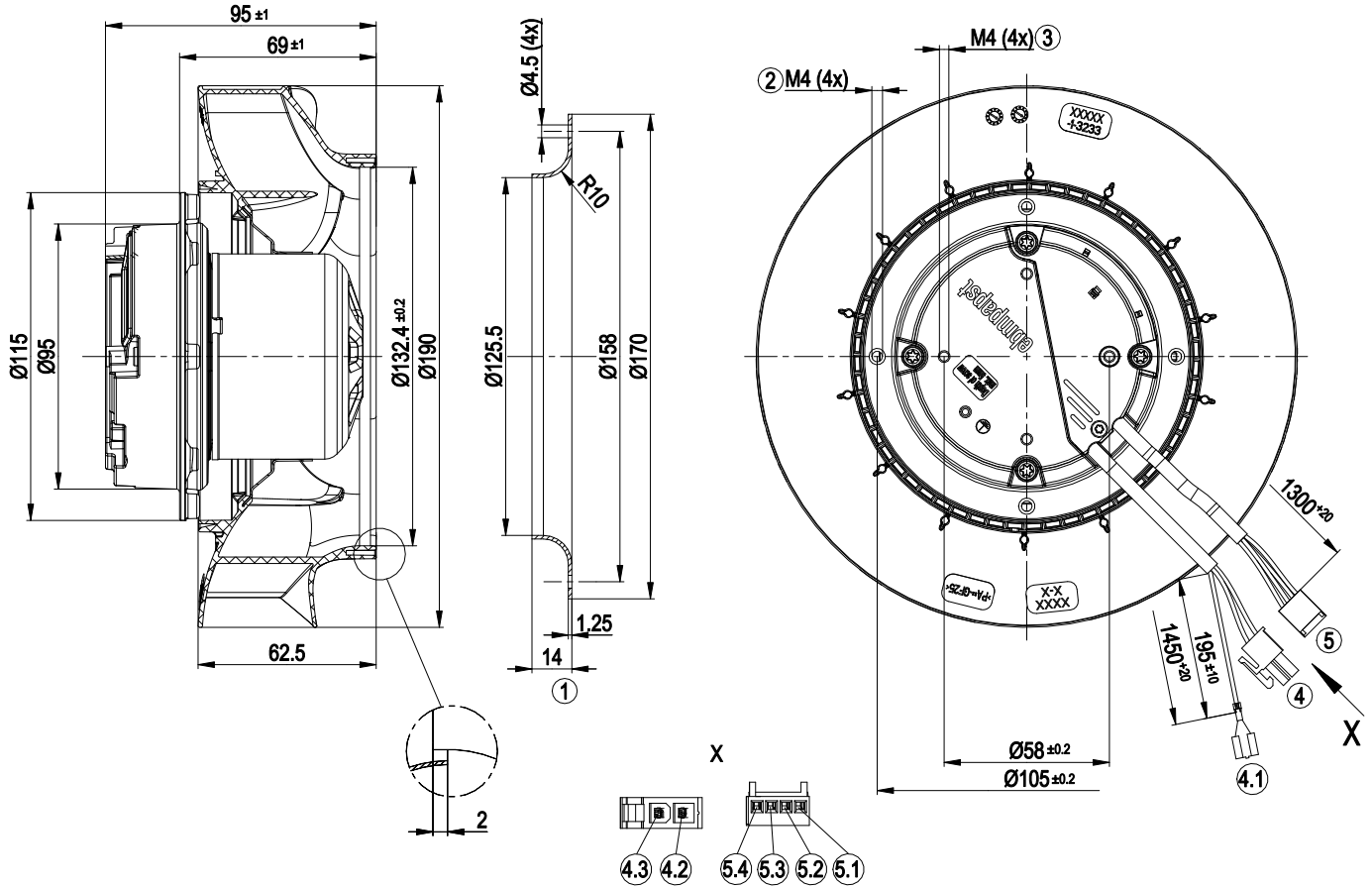
ml = Max. load · me = Max. efficiency · fa = Running at free air · cs = Customer specs · cu = Customer unit
 Subject to alterations



Technical features

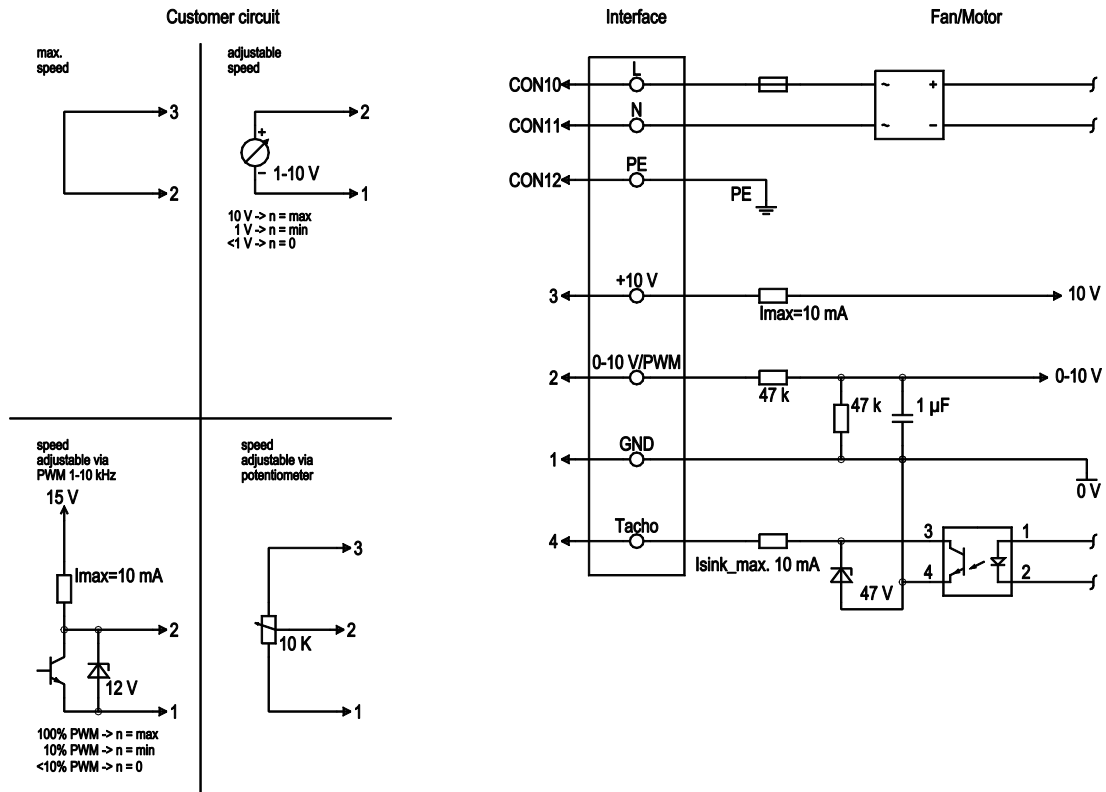
Mass	1.4 kg
Size	190 mm
Surface of rotor	Thick layer passivated
Material of impeller	PA plastic
Number of blades	7
Direction of rotation	Clockwise, seen on rotor
Type of protection	IP54
Insulation class	"B"
Max. permissible ambient motor temp. (transp./ storage)	+ 80 °C
Min. permissible ambient motor temp. (transp./storage)	- 40 °C
Mounting position	Any
Condensate discharge holes	Rotor-side
Operation mode	S1
Motor bearing	Ball bearing
Technical features	<ul style="list-style-type: none"> - Output 10 VDC, max. 10 mA - Tach output - Output limit - Motor current limit - Soft start - Control input 0-10 VDC / PWM - Control interface with SELV potential safely disconnected from the mains - Overvoltage detection - Over-temperature protected electronics / motor - Line undervoltage detection
EMC interference immunity	Acc. to EN 61000-6-2 (industrial environment)
EMC harmonics	Acc. to EN 61000-3-2/3
EMC interference emission	Acc. to EN 61000-6-3 (household environment)
Touch current acc. IEC 60990 (measuring network Fig. 4, TN system)	<= 3.5 mA
Motor protection	Locked-rotor protection
Cable exit	Variable
Protection class	I (if protective earth is connected by customer)
Product conforming to standard	EN 60335-1; CE
Approval	EAC

Product drawing



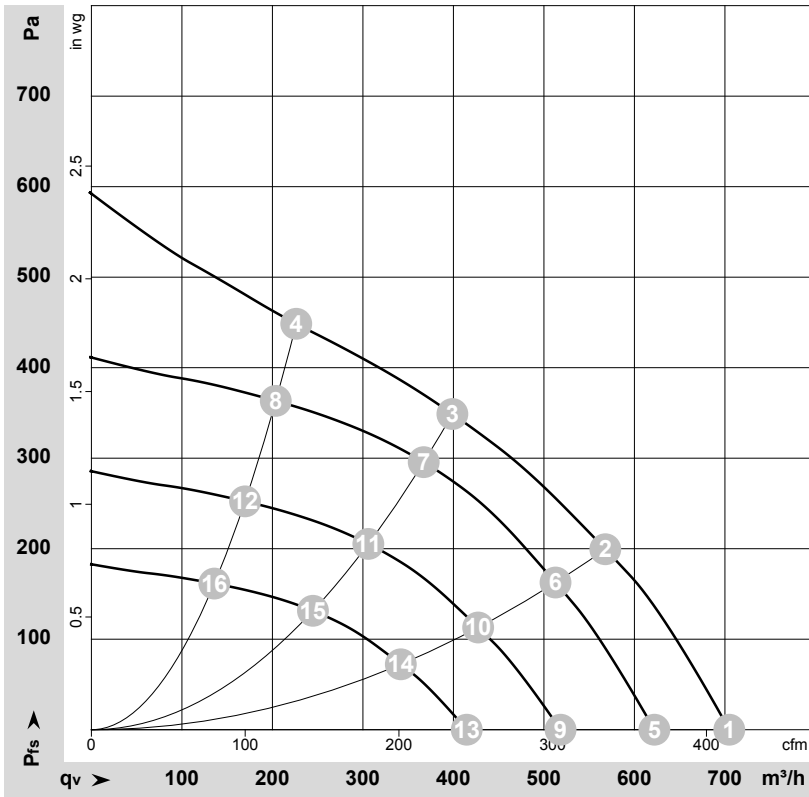
1	Accessory part: Inlet nozzle 09576-2-4013 not included in scope of delivery
2	Thread reach max. 6 mm
3	Thread reach max. 6 mm
4	Connection line PVC 3G 0.5 mm ² , connector housing 2-pole Molex 46992-0210, 2x plug pin Molex 39-00-0059
4.1	PE (green/yellow), threaded pin 6.3x0.8
4.2	brown
4.3	blue
5	Connection line PVC 4x 0.25 mm ² , connector housing 4-pole Molex 22-01-2045, 4x plug pin Molex 08-50-0031
5.1	GND (blue)
5.2	+10 V (red)
5.3	0-10 V PWM (yellow)
5.4	Tach (white)

Connection screen



No.	Conn.	Designation	Colour	Function / assignment
	CON10	L	brown	Mains connection, power supply, phase, see type plate for voltage range
	CON11	N	blue	Mains connection, power supply, neutral conductor, see type plate for voltage range
	CON12	PE	green/yellow	Earth connection
	2	0- 10V PWM	yellow	0-10 V/PWM control input, R _i =100 kΩ, SELV
	4	Tach	white	Speed monitoring output, open collector, 1 pulse per revolution, I _{sink max} = 10 mA, SELV
	3	+10 V	red	Fixed voltage output 10 VDC +/-3 %, I _{max} . 10 mA, short-circuit-proof, power supply for ext. devices (e.g. potentiometer), SELV
	1	GND	blue	Signal ground for control interface, SELV

Charts: Air flow 50 Hz



$\rho = 1.15 \text{ kg/m}^3 \pm 2 \%$

Measurement: LU-171588-1

Air performance measured as per ISO 5801 Installation category A. For detailed information on the measuring set-up, please contact ebmpapst. Suction-side noise levels: LwA measured as per ISO 13347 / LpA measured with 1m distance to fan axis. The values given are valid under the measuring conditions mentioned above and may vary according to the actual installation situation. With any deviation from the standard set-up, the specific values have to be checked and reviewed with the unit installed.

Measured values

	U	f	n	P _{ed}	I	q _v	P _{fs}	q _v	P _{fs}
	V	Hz	min ⁻¹	W	A	m ³ /h	Pa	cfm	inH ₂ O
1	230	50	3400	72	0.64	705	0	415	0.00
2	230	50	3320	80	0.70	570	200	335	0.80
3	230	50	3255	85	0.75	400	350	235	1.41
4	230	50	3330	78	0.68	225	450	135	1.81
5	230	50	3000	50	0.44	620	0	365	0.00
6	230	50	3000	59	0.51	515	163	300	0.65
7	230	50	3000	66	0.58	365	296	215	1.19
8	230	50	3000	57	0.50	205	363	120	1.46
9	230	50	2500	29	0.25	520	0	305	0.00
10	230	50	2500	34	0.30	425	113	250	0.45
11	230	50	2500	38	0.33	305	205	180	0.82
12	230	50	2500	33	0.29	170	252	100	1.01
13	230	50	2000	15	0.13	415	0	245	0.00
14	230	50	2000	17	0.15	340	72	200	0.29
15	230	50	2000	20	0.17	245	131	145	0.53
16	230	50	2000	17	0.15	135	162	80	0.65

U = Supply voltage · f = Frequency · n = Speed (rpm) · P_{ed} = Power input · I = Current draw · q_v = Air flow · P_{fs} = Pressure increase

