

R3G190-RD45-17 ebmpapst Datasheet

sales@fansco.com

www.fansco.com

Limited partnership · Headquarters Mulfingen
County court Stuttgart · HRA 590344

General partner Elektrobau Mulfingen GmbH · Headquarters Mulfingen
County court Stuttgart · HRB 590142

Nominal data

Type	R3G190-RD45-17	
Motor	M3G055-CF	
Phase		1~
Nominal voltage	VAC	230
Nominal voltage range	VAC	200 .. 240
Frequency	Hz	50/60
Type of data definition		ml
Speed (rpm)	min ⁻¹	4120
Power input	W	169
Current draw	A	1.35
Min. ambient temperature	°C	-25
Max. ambient temperature	°C	60

ml = Max. load · me = Max. efficiency · fa = Running at free air · cs = Customer specs · cu = Customer unit
Subject to alterations

Data according to ErP directive

		Actual	Request 2015			
01 Overall efficiency η_{es}	%	56	43.1	09 Power input P_{ed}	kW	0.16
02 Measurement category		A		09 Air flow q_v	m ³ /h	565
03 Efficiency category		Static		09 Pressure increase p_{fs}	Pa	524
04 Efficiency grade N		74.9	62	10 Speed (rpm) n	min ⁻¹	4055
05 Variable speed drive		Yes		11 Specific ratio*		1.01

Data definition with optimum efficiency.
The ErP data is determined using a motor-impeller combination in a standardised measurement configuration.

* Specific ratio = $1 + p_{fs} / 100\,000\text{ Pa}$

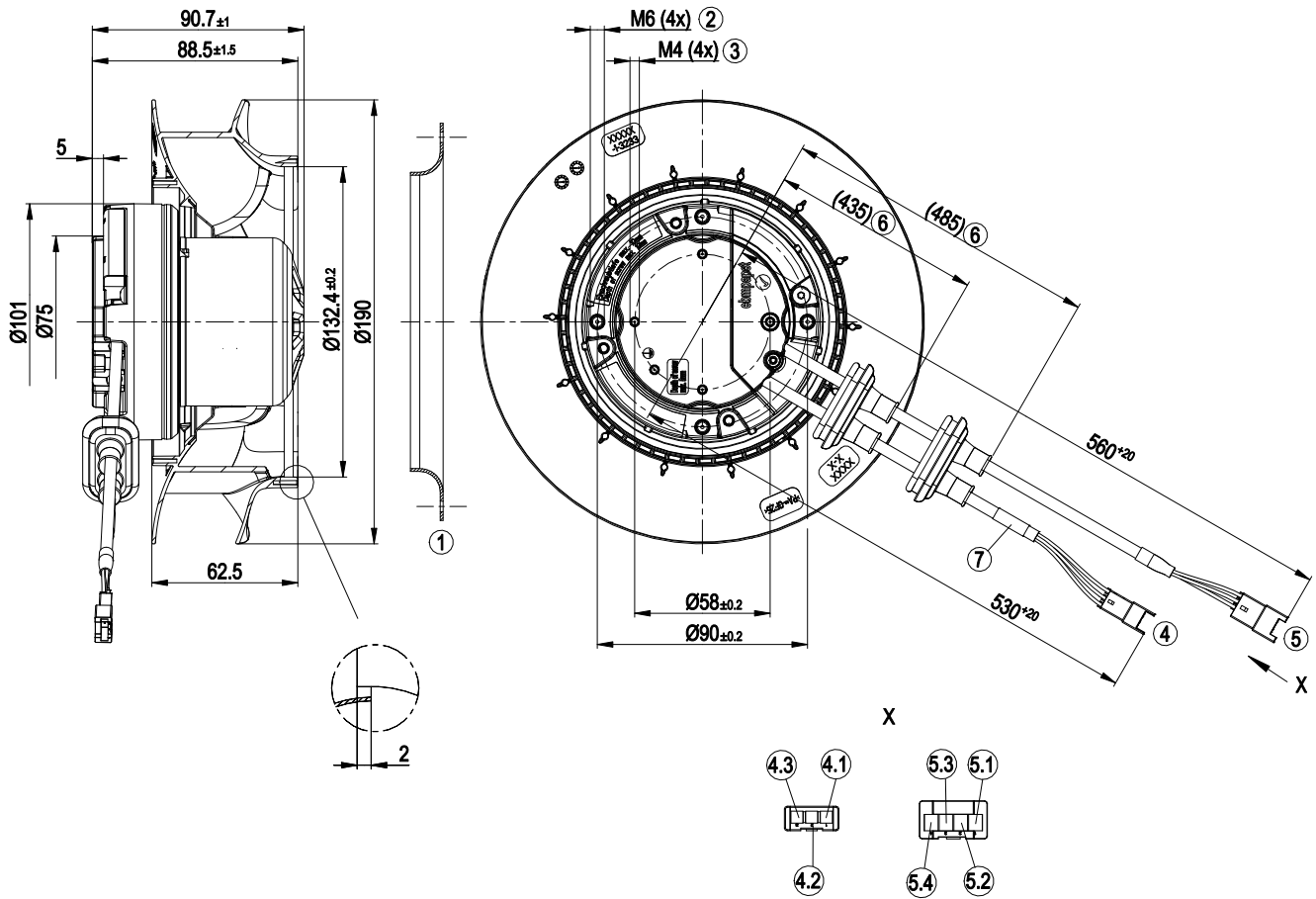
LU-132500



Technical features

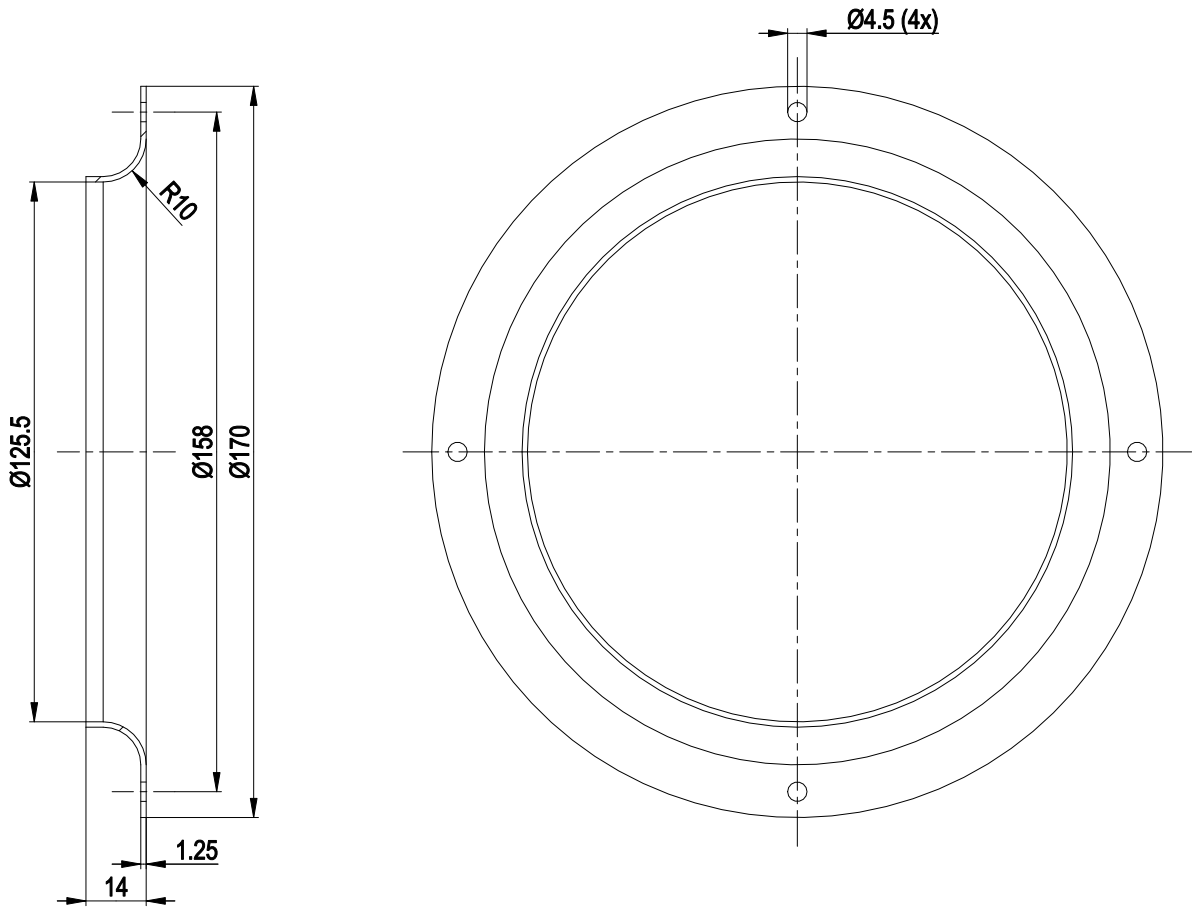
Mass	1.4 kg
Size	190 mm
Surface of rotor	Thick layer passivated
Material of impeller	PA plastic
Direction of rotation	Clockwise, seen on rotor
Type of protection	IP 54
Insulation class	"B"
Max. permissible ambient motor temp. (transp./ storage)	+ 80 °C
Min. permissible ambient motor temp. (transp./storage)	- 40 °C
Mounting position	Any
Condensate discharge holes	None, open rotor
Operation mode	S1
Motor bearing	Ball bearing
Technical features	<ul style="list-style-type: none"> - Tach output - Output limit - Motor current limit - Soft start - Control input 0-10 VDC / PWM - Over-temperature protected motor
Touch current acc. IEC 60990 (measuring network Fig. 4, TN system)	<= 3.5 mA
Motor protection	Locked-rotor protection
Cable exit	Variable
Protection class	I (if protective earth is connected by customer)
Product conforming to standard	EN 60335-1; CE

Product drawing



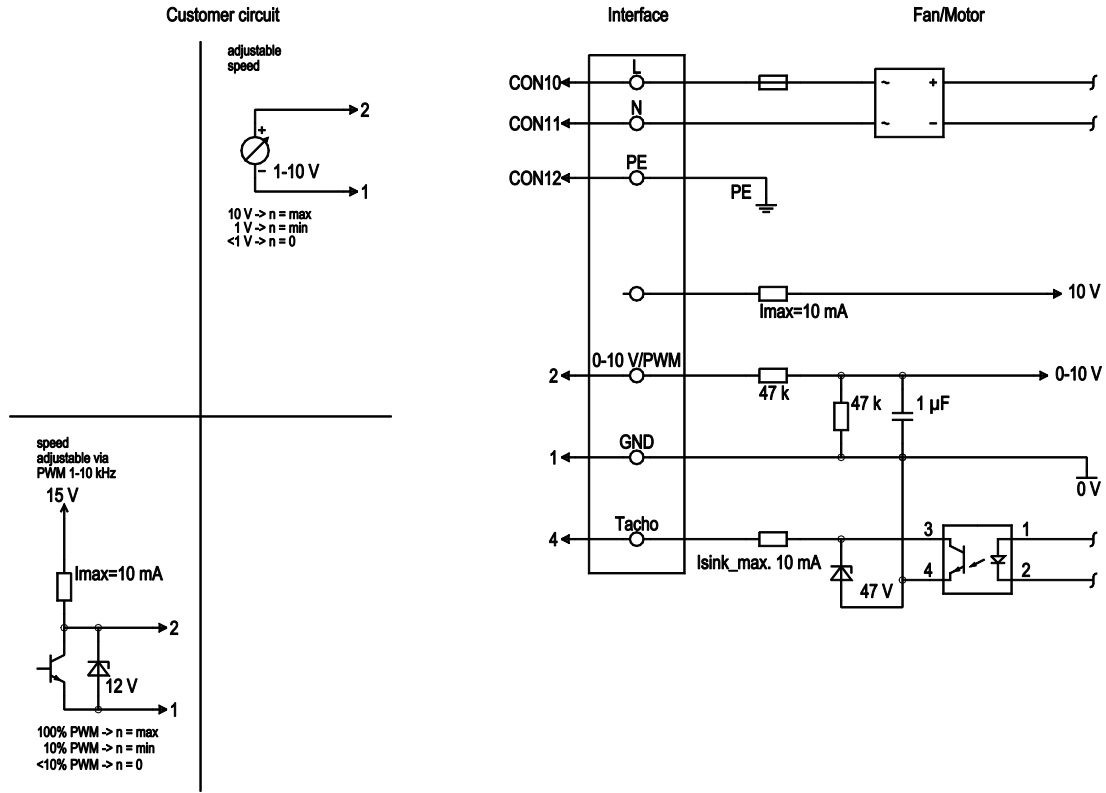
1	Accessory part: Inlet nozzle 09576-2-4013 not included in scope of delivery
2	Thread reach max. 10 mm
3	Thread reach max. 5 mm
4	Connection line PVC AWG20, connector housing 3-pole JST XARR-03VF, 3x plug pin JST SXAM-01T-P0.6
4.1	L (black)
4.2	N (blue)
4.3	PE (green/yellow)
5	Connection line PVC AWG22, connector housing 4-pole JST XARR-04VF, 3x plug pin JST SXAM-01T-P0.6
5.1	0-10 V PWM (yellow)
5.2	GND (blue)
5.3	Tach (white)
5.4	not used
6	The exact position of the grommet cannot be confirmed
7	Heat shrink tube, white

Accessory part



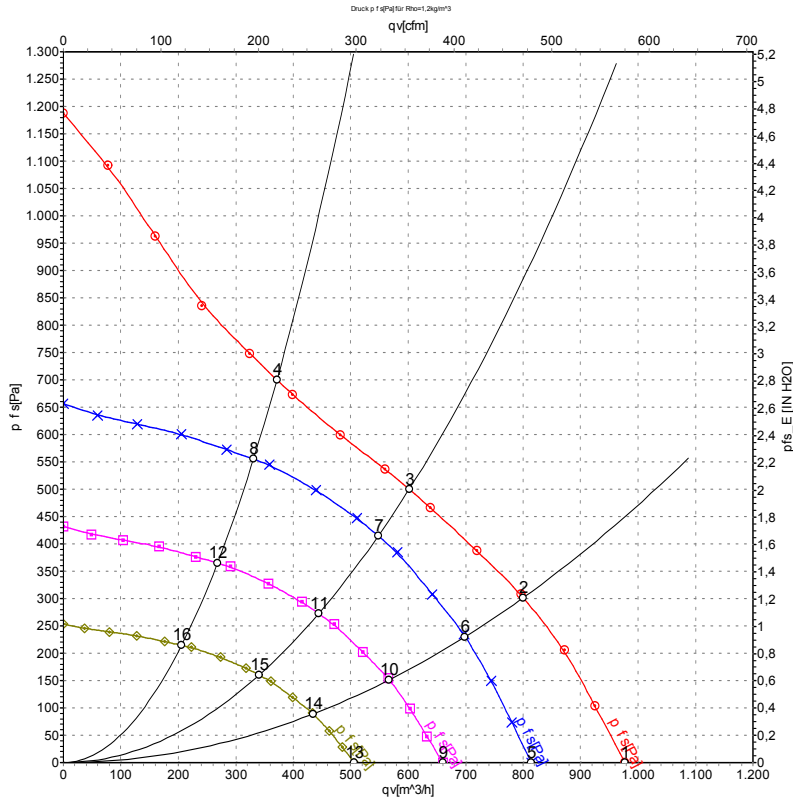
1 Accessory part: Inlet nozzle 09576-2-4013 not included in scope of delivery

Connection screen



No.	Conn.	Designation	Colour	Function / assignment
	CON10	L	black	Mains connection, power supply, phase, see type plate for voltage range
	CON11	N	blue	Mains connection, power supply, neutral conductor, see type plate for voltage range
	CON12	PE	green/yellow	Earth connection
	2	0- 10V PWM	yellow	0-10 V/PWM control input, R _i =100 kΩ, SELV
	4	Tach	white	Speed monitoring output, open collector, 1 pulse per revolution, I _{sink} max = 10 mA, SELV
	1	GND	blue	Signal ground for control interface, SELV

Charts: Air flow 50 Hz



Measurement: LU-132500-1

Air performance measured as per ISO 5801 Installation category A. For detailed information on the measuring set-up, please contact ebmpapst. Suction-side noise levels: LwA measured as per ISO 13347 / LpA measured with 1m distance to fan axis. The values given are valid under the measuring conditions mentioned above and may vary according to the actual installation situation. With any deviation from the standard set-up, the specific values have to be checked and reviewed with the unit installed.

Measured values

	U	f	n	P _{ed}	I	Lp _{Ain}	Lw _{Ain}	q _v	P _{fs}	q _v	P _{fs}
	V	Hz	min ⁻¹	W	A	dB(A)	dB(A)	m³/h	Pa	cfm	inH2O
1	230	50	4440	161	1.35	72	81	975	0	575	0.00
2	230	50	4235	165	1.35	67	75	800	300	470	1.20
3	230	50	4120	169	1.35	63	72	600	500	355	2.01
4	230	50	4150	160	1.35	66	74	370	700	220	2.81
5	230	50	3700	93	0.81	69	77	815	0	480	0.00
6	230	50	3700	110	0.93	64	72	700	233	410	0.94
7	230	50	3700	125	1.06	61	70	550	415	325	1.67
8	230	50	3700	114	0.97	64	72	330	556	195	2.23
9	230	50	3000	50	0.43	64	73	660	0	390	0.00
10	230	50	3000	59	0.50	59	68	565	153	335	0.61
11	230	50	3000	67	0.57	56	65	445	273	260	1.10
12	230	50	3000	61	0.52	59	67	270	365	160	1.47
13	230	50	2300	22	0.19	58	67	505	0	300	0.00
14	230	50	2300	26	0.22	53	62	435	90	255	0.36
15	230	50	2300	30	0.26	51	59	340	160	200	0.64
16	230	50	2300	27	0.23	54	61	205	215	120	0.86

U = Supply voltage · f = Frequency · n = Speed (rpm) · P_{ed} = Power input · I = Current draw · Lp_{Ain} = Sound pressure level inlet side · Lw_{Ain} = Sound power level inlet side · q_v = Air flow
 P_{fs} = Pressure increase

