

R3G190-RB01-10 ebmpapst Datasheet

sales@fansco.com

www.fansco.com

Limited partnership · Headquarters Muldingen  
 County court Stuttgart · HRA 590344

General partner Elektrobau Muldingen GmbH · Headquarters Muldingen  
 County court Stuttgart · HRB 590142

## Nominal data

<b>Type</b>	<b>R3G190-RB01-10</b>	
<b>Motor</b>	<b>M3G055-BD</b>	
Phase		1~
Nominal voltage	VAC	230
Nominal voltage range	VAC	200 .. 240
Frequency	Hz	50/60
Type of data definition		ml
State		prelim.
Speed (rpm)	min <sup>-1</sup>	2800
Power input	W	58
Current draw	A	0.54
Min. ambient temperature	°C	-25
Max. ambient temperature	°C	60

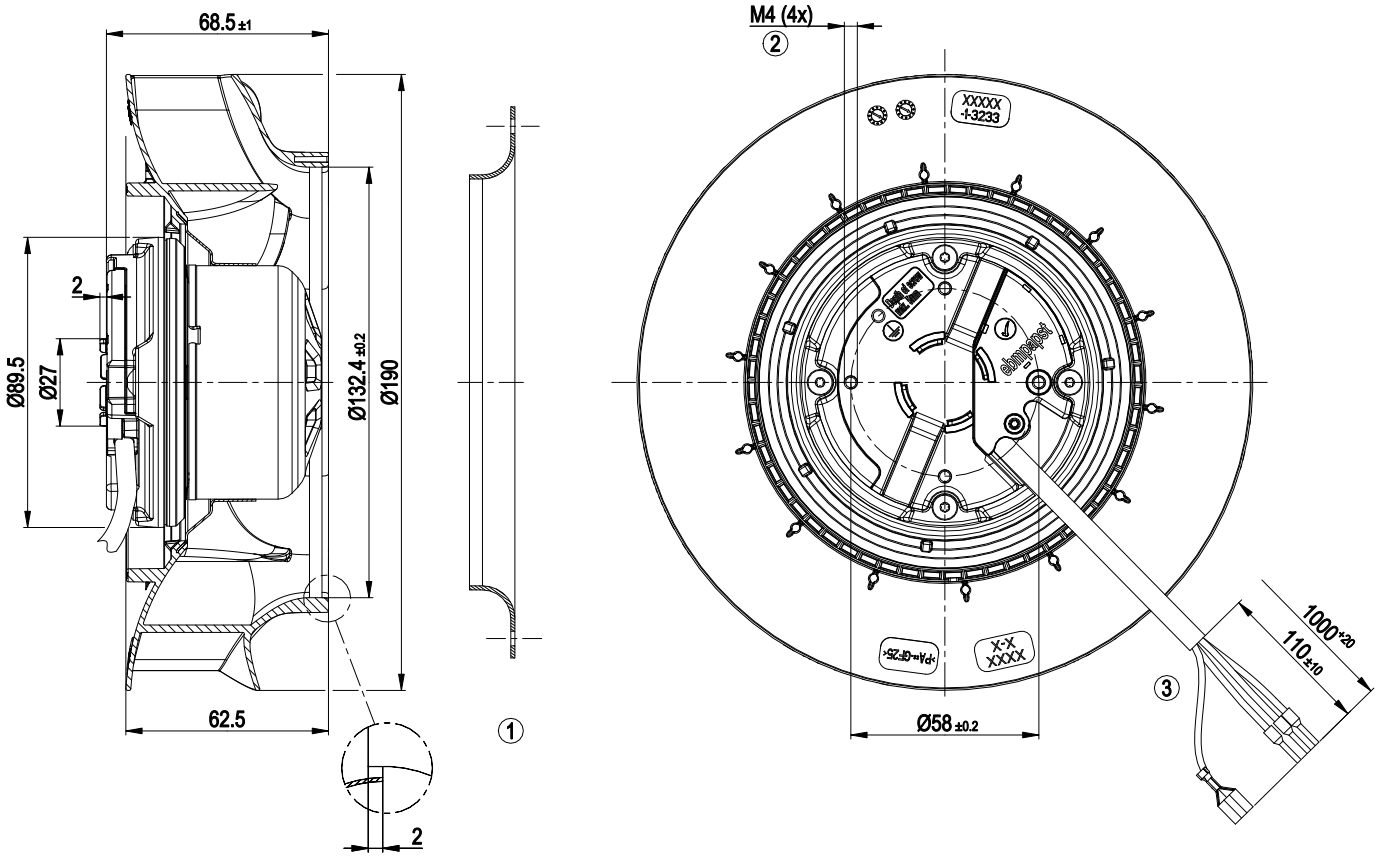
ml = Max. load · me = Max. efficiency · fa = Running at free air · cs = Customer specs · cu = Customer unit  
 Subject to alterations



### Technical features

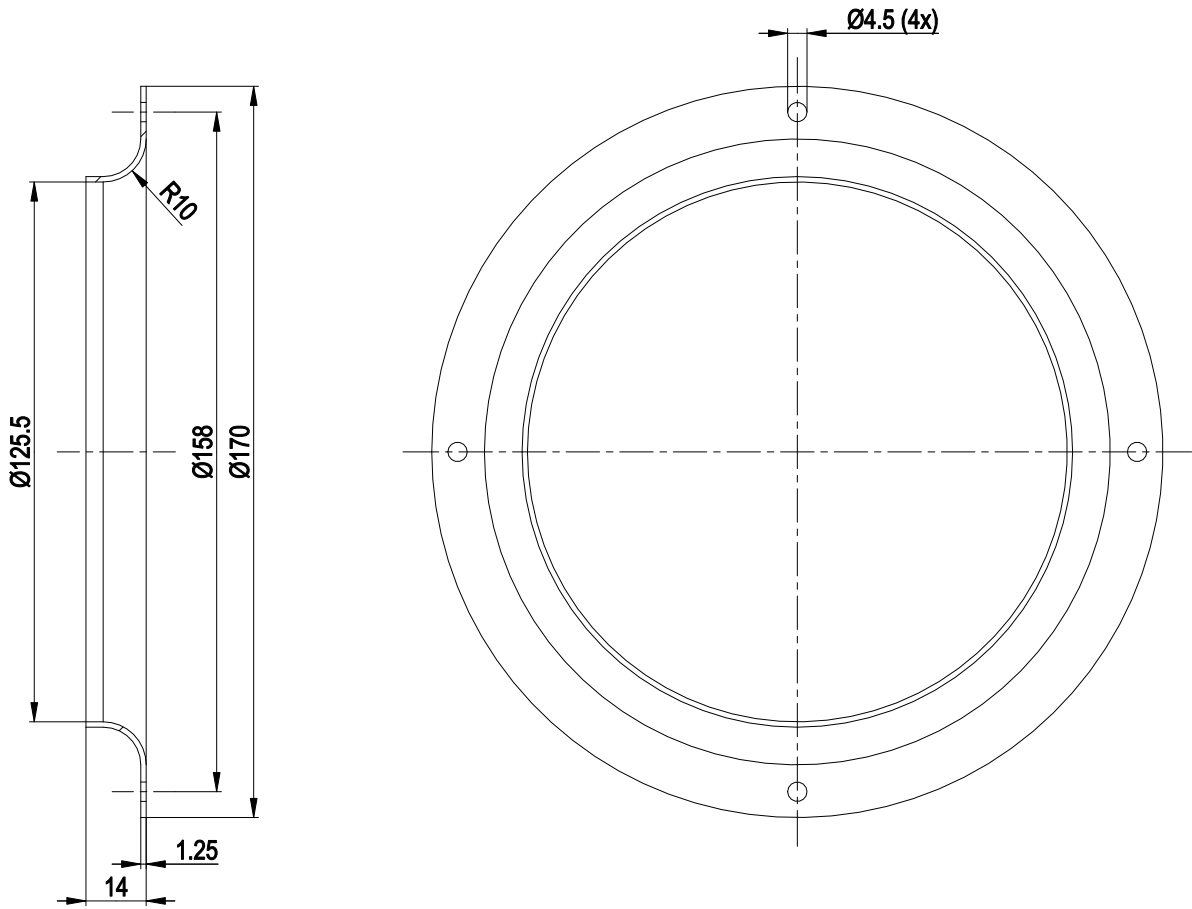
Mass	1 kg
Size	190 mm
Surface of rotor	Thick layer passivated
Material of electronics housing	Die-cast aluminium
Material of impeller	PA plastic
Number of blades	7
Direction of rotation	Clockwise, seen on rotor
Type of protection	IP 54
Insulation class	"B"
Max. permissible ambient motor temp. (transp./ storage)	+ 80 °C
Min. permissible ambient motor temp. (transp./storage)	- 40 °C
Mounting position	Any
Condensate discharge holes	None, open rotor
Operation mode	S1
Motor bearing	Ball bearing
Technical features	<ul style="list-style-type: none"> <li>- Speed adjustment input (230 V)</li> <li>- Output limit</li> <li>- Motor current limit</li> <li>- Soft start</li> <li>- Over-temperature protected electronics / motor</li> <li>- Line undervoltage detection</li> </ul>
Speed steps	2
Touch current acc. IEC 60990 (measuring network Fig. 4, TN system)	<= 3.5 mA
Motor protection	Locked-rotor protection
Cable exit	Variable
Protection class	I (if protective earth is connected by customer)
Product conforming to standard	EN 60335-1; CE

Product drawing



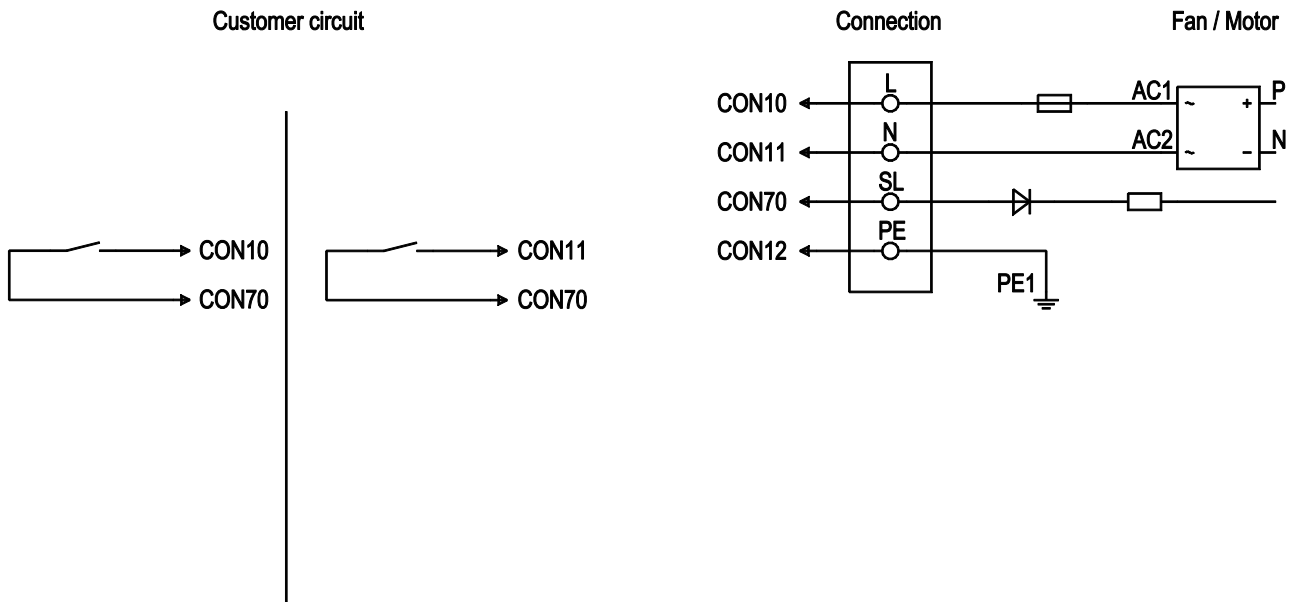
1	Accessory part: Inlet nozzle 09576-2-4013, not included in scope of delivery
2	Thread reach max. 5 mm
3	Connection line PVC 4G 0.5 mm², 3x core-end sleeves, 1x threaded pin 6.3x0.8 crimped

Accessory part



1 Accessory part: Inlet nozzle 09576-2-4013 not included in scope of delivery

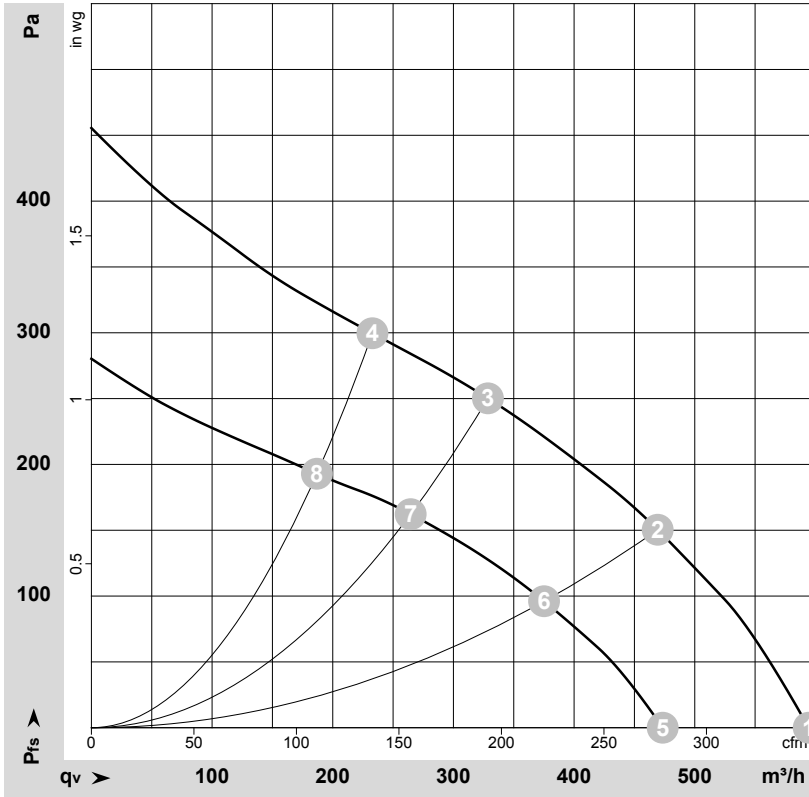
**Connection screen**



No.	Conn.	Designation	Colour	Function / assignment
	CON 10	L	black	Power supply 230 VAC, 50-60 Hz, see type plate for voltage range
	CON 11	N	blue	Neutral conductor
	CON 12	PE	green/yellow	Protective earth
	CON 70	SL	brown	Speed selection: switch open = speed 1 (slow); switch closed = speed 2 (fast)



## Charts: Air flow 50 Hz



$\rho = 1.15 \text{ kg/m}^3 \pm 2 \%$

Measurement: LU-179703-1  
Measurement: LU-179737-1

Air performance measured as per ISO 5801 Installation category A. For detailed information on the measuring set-up, please contact ebm-papst. Suction-side noise levels: LwA measured as per ISO 13347 / LpA measured with 1m distance to fan axis. The values given are valid under the measuring conditions mentioned above and may vary according to the actual installation situation. With any deviation from the standard set-up, the specific values have to be checked and reviewed with the unit installed.

## Measured values

	Stage	U	f	n	P <sub>ed</sub>	I	q <sub>v</sub>	P <sub>fs</sub>	q <sub>v</sub>	P <sub>fs</sub>
		V	Hz	min <sup>-1</sup>	W	A	m <sup>3</sup> /h	Pa	cfm	inH2O
1	2	230	50	2910	49	0.47	595	0	350	0.00
2	2	230	50	2810	53	0.50	470	150	275	0.60
3	2	230	50	2800	58	0.54	330	250	195	1.00
4	2	230	50	2800	53	0.51	235	300	135	1.20
5	2	230	50	2315	26	0.27	475	0	280	0.00
6	2	230	50	2255	28	0.29	375	96	220	0.39
7	2	230	50	2215	30	0.31	265	162	155	0.65
8	2	230	50	2250	28	0.29	185	193	110	0.77

U = Supply voltage · f = Frequency · n = Speed (rpm) · P<sub>ed</sub> = Power input · I = Current draw · q<sub>v</sub> = Air flow · p<sub>fs</sub> = Pressure increase

