

R3G190-AB15-02

EC centrifugal fan

backward curved, single inlet



R3G190-AB15-02 ebmpapst Datasheet
sales@fansco.com
www.fansco.com

Nominal data

Type	R3G190-AB15-02	
Motor	M3G055-CF	
Phase		1~
Nominal voltage	VAC	115
Frequency	Hz	50/60
Type of data definition		rfa
Speed	min ⁻¹	3300
Power input	W	73
Current draw	A	1.1
Max. ambient temperature	°C	60

ml = max. load · me = max. efficiency · rfa = running at free air · cs = customer specs · cu = customer unit
Subject to alterations

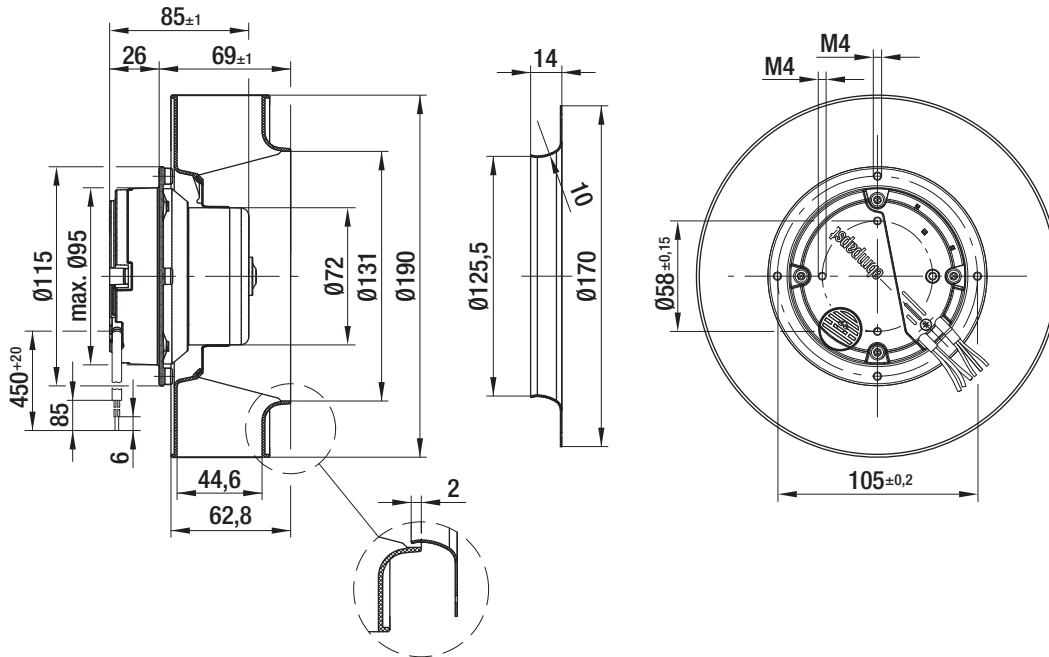
Technical features

Leakage current	<= 3.5 mA
General description	Integrated electronics
Size	190 mm
Operation mode	Continuous operation (S1)
Direction of rotation	Clockwise, seen on rotor
Mounting position	Any
Humidity class	F3-1
Insulation class	"B"
Cable exit	Variable
Motor bearing	Ball bearing
Mass	1.3 kg
Material of electronics housing	Rotor: Galvanized
Material of impeller	PA plastic 6.6, fiberglass-reinforced
Motor protection	Thermal overload protector (TOP) wired internally
Number of blades	7
Type of protection	IP 44
Protection class	I
Technical features	Control input 0-10 VDC / PWM, output 10 VDC max. 1.1 mA, tach output, locked rotor protection
Approval	UL 2111

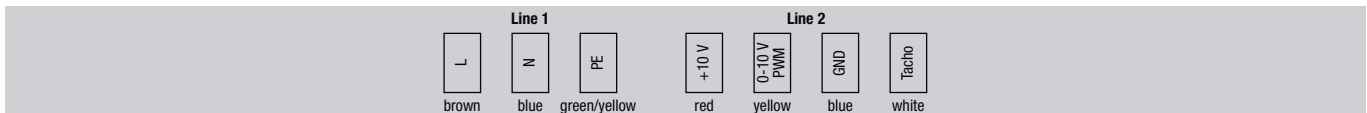
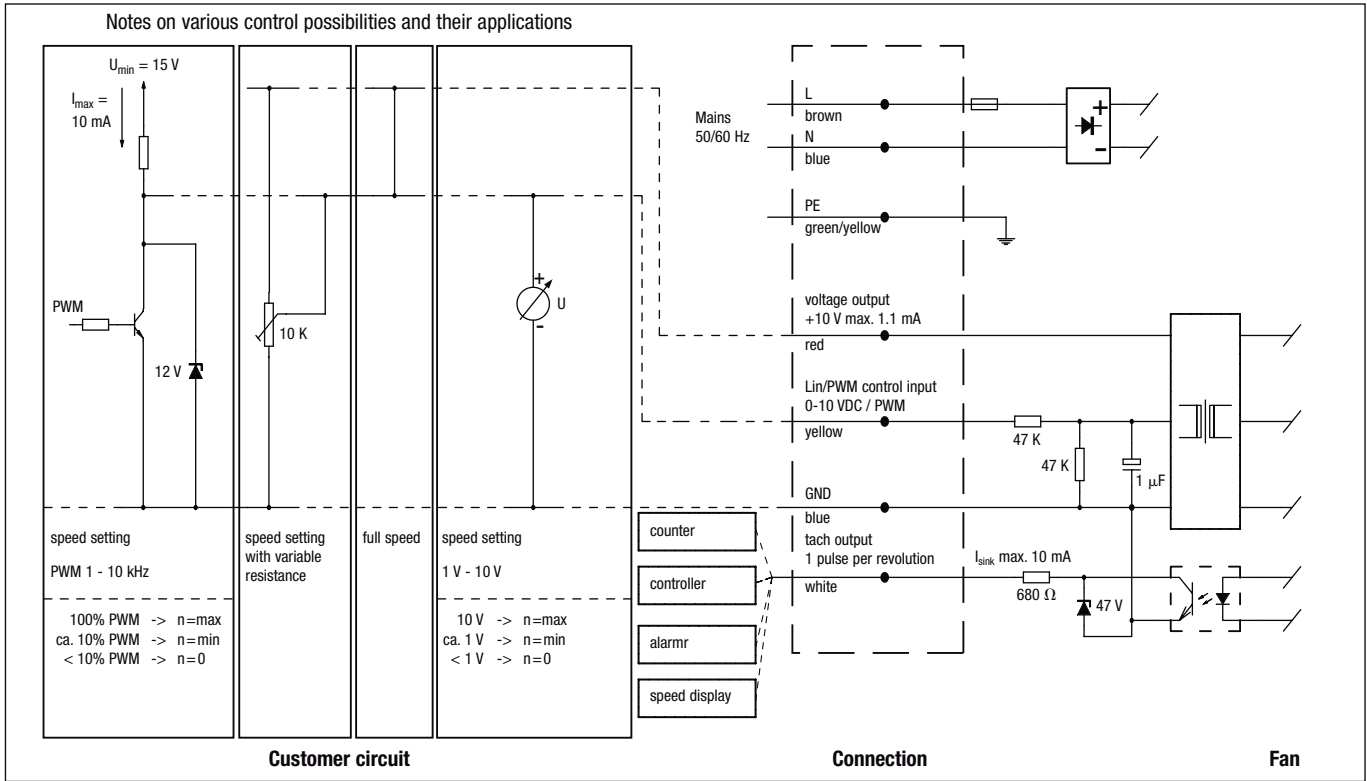
EC centrifugal fan

backward curved, single inlet

Product drawing

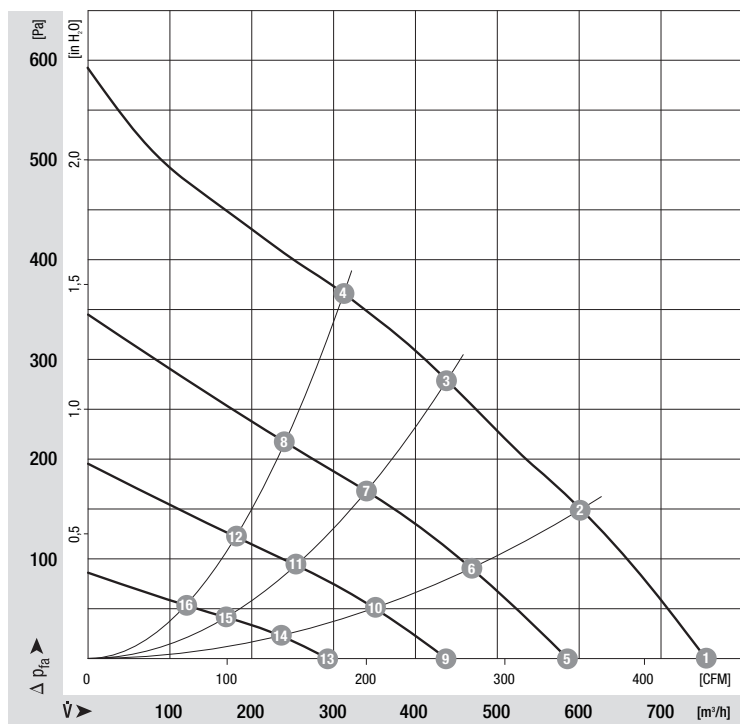


Connection screen



Line	Signal	Colour	Assignment / function	Line	Signal	Colour	Assignment / function
1	L	brown	Mains 50/60 Hz, phase	2	+10 V	red	Voltage output +10 V max. 1.1 mA
	N	blue	Mains 50/60 Hz, neutral		0-10 V / PWM	yellow	Control input
	PE	green/yellow	Protective earth		GND	blue	GND
					Tacho	white	Tach output: pulses per revolution

Charts: Air flow



Measured values

	n	P_e	l
	min ⁻¹	W	A
1	3370	76	1.10
2	3250	81	1.20
3	3220	84	1.20
4	3190	85	1.30
5	2715	42	0.70
6	2690	46	0.70
7	2670	48	0.80
8	2655	49	0.80
9	2310	27	0.40
10	2285	29	0.50
11	2265	31	0.50
12	2260	32	0.50
13	1780	15	0.20
14	1760	16	0.30
15	1750	17	0.30
16	1745	17	0.30