

R3G190-AB07-12 ebmpapst Datasheet

sales@fansco.com

www.fansco.com

Limited partnership · Headquarters Muldingen
County court Stuttgart · HRA 590344

General partner Elektrobau Muldingen GmbH · Headquarters Muldingen
County court Stuttgart · HRB 590142

Nominal data

| | | |
|--------------------------|-------------------|-------|
| Type | R3G190-AB07-12 | |
| Motor | M3G055-CF | |
| Phase | | 1~ |
| Nominal voltage | VAC | 230 |
| Frequency | Hz | 50/60 |
| Type of data definition | | ml |
| Speed | min ⁻¹ | 1900 |
| Power input | W | 22 |
| Current draw | A | 0.17 |
| Min. ambient temperature | °C | -25 |
| Max. ambient temperature | °C | 60 |

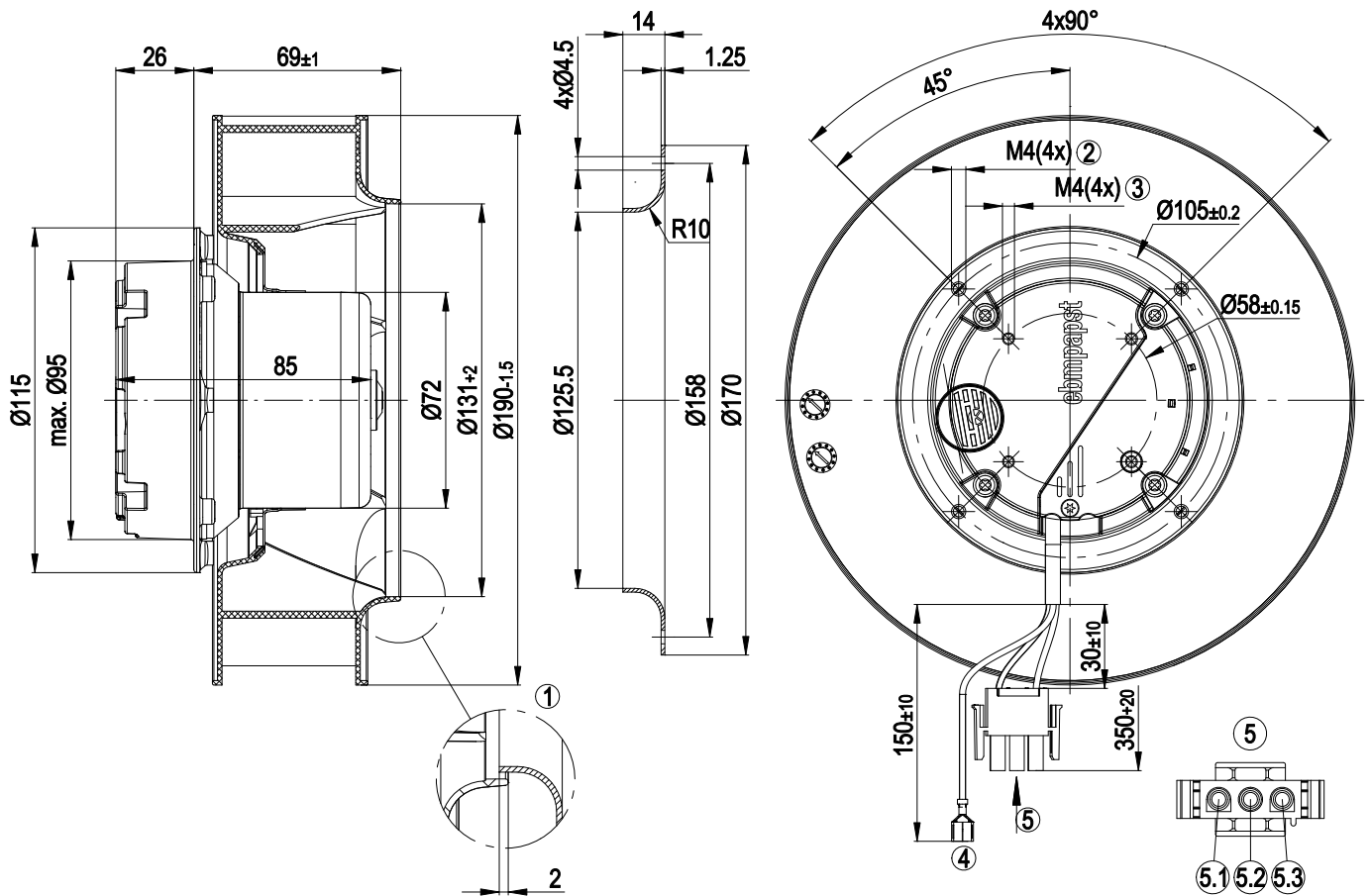
ml = Max. load · me = Max. efficiency · fa = Running at free air · cs = Customer specs · cu = Customer unit
Subject to alterations



Technical features

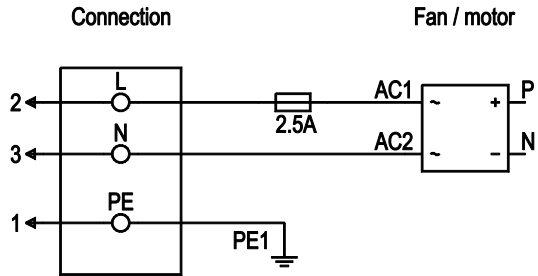
| | |
|---|---|
| Mass | 1.4 kg |
| Size | 190 mm |
| Surface of rotor | Coated in black |
| Material of impeller | PA plastic |
| Direction of rotation | Clockwise, seen on rotor |
| Type of protection | IP 44 |
| Insulation class | "B" |
| Humidity class | F3-1 |
| Max. permissible ambient motor temp. (transp./ storage) | + 80 °C |
| Min. permissible ambient motor temp. (transp./storage) | - 40 °C |
| Mounting position | Any |
| Condensate discharge holes | Rotor-side |
| Operation mode | S1 |
| Motor bearing | Ball bearing |
| Technical features | - Motor current limit - Soft start - Over-temperature protected motor |
| EMC interference immunity | Acc. to EN 61000-6-2 (industrial environment) |
| EMC harmonics | Acc. to EN 61000-3-2/3 |
| EMC interference emission | Acc. to EN 61000-6-3 (household environment) |
| Touch current acc. IEC 60990 (measuring network Fig. 4, TN system) | <= 3.5 mA |
| Electrical leads | With plug |
| Motor protection | Thermal overload protector (TOP) wired internally |
| Cable exit | Variable |
| Protection class | I (if protective earth is connected by customer) |
| Product conforming to standard | CE |

Product drawing



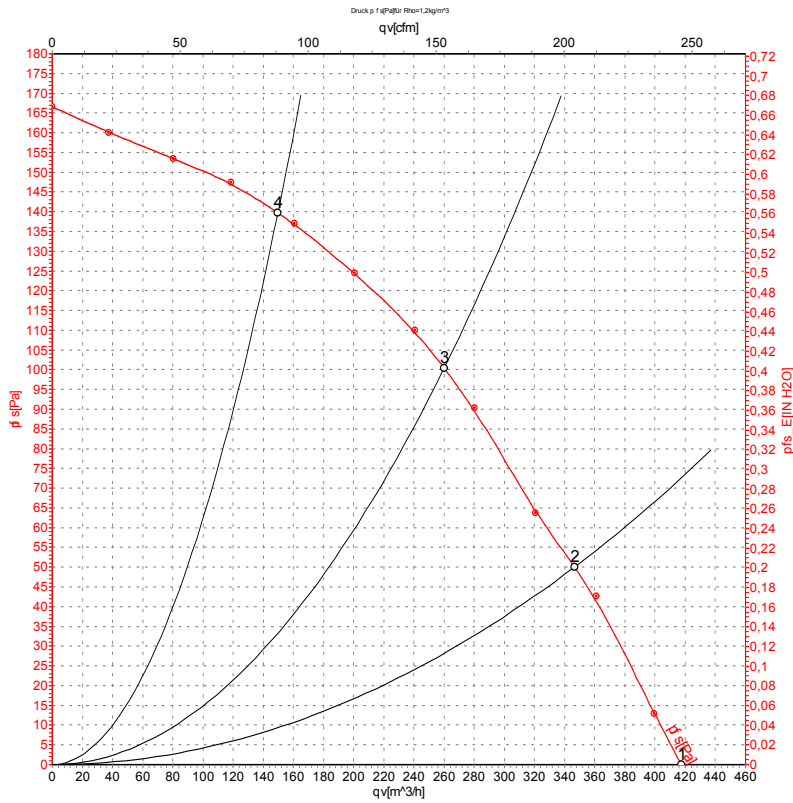
| | |
|-----|---|
| 1 | Accessory part: Inlet nozzle 09576-2-4013, not included in the standard scope of delivery |
| 2 | Depth of screw max. 6 mm |
| 3 | Depth of screw max. 6 mm |
| 4 | Receptacle for tabs 6.3x0.8 with lock |
| 5 | Connector housing AMP Universal Mate-N-Lock 350766-1, plug pin AMP 926883-1 (2x) |
| 5.1 | Pin N = blue |
| 5.2 | Pin 2 = vacant |
| 5.3 | Pin L = brown |

Connection screen



| Line | No. | Signal | Colour | Function / assignment |
|------|-----|--------|--------------|--|
| | 1 | PE | green/yellow | Protective earth |
| | 2 | N | blue | Neutral conductor |
| | 3 | L | brown | Power supply 230 VAC, 50 - 60 Hz, see type plate for voltage range |

Charts: Air flow 50 Hz



Measurement: LU-114437

Air performance measured as per ISO 5801 Installation category A. For detailed information on the measuring set-up, please contact ebmpapst. Suction-side noise levels: L_{wA} measured as per ISO 13347 / L_{pA} measured with 1m distance to fan axis. The values given are valid under the measuring conditions mentioned above and may vary according to the actual installation situation. With any deviation from the standard set-up, the specific values have to be checked and reviewed with the unit installed.

Measured values

| | U | f | n | P _{ed} | I | qv | P _{fs} |
|---|-----|----|-------------------|-----------------|------|------|-----------------|
| | V | Hz | min ⁻¹ | W | A | m³/h | Pa |
| 1 | 230 | 50 | 1900 | 17 | 0.13 | 415 | 0 |
| 2 | 230 | 50 | 1900 | 20 | 0.15 | 345 | 50 |
| 3 | 230 | 50 | 1900 | 22 | 0.17 | 260 | 100 |
| 4 | 230 | 50 | 1900 | 19 | 0.15 | 150 | 140 |

U = Supply voltage · f = Frequency · n = Speed · P_{ed} = Power input · I = Current draw · qv = Air flow · P_{fs} = Pressure increase

