

R3G175-RB01-11 ebmpapst Datasheet

sales@fansco.com

www.fansco.com

Limited partnership · Headquarters Muldingen

Amtsgericht (court of registration) Stuttgart · HRA 590344

General partner Elektrobau Muldingen GmbH · Headquarters Muldingen

Amtsgericht (court of registration) Stuttgart · HRB 590142

## Nominal data

|                          |                   |            |
|--------------------------|-------------------|------------|
| Type                     | R3G175-RB01-11    |            |
| Motor                    | M3G055-BD         |            |
| Phase                    |                   | 1~         |
| Nominal voltage          | VAC               | 230        |
| Nominal voltage range    | VAC               | 200 .. 240 |
| Frequency                | Hz                | 50/60      |
| Method of obtaining data |                   | ml         |
| Speed (rpm)              | min <sup>-1</sup> | 2950       |
| Power consumption        | W                 | 43         |
| Current draw             | A                 | 0.42       |
| Min. ambient temperature | °C                | -25        |
| Max. ambient temperature | °C                | 60         |

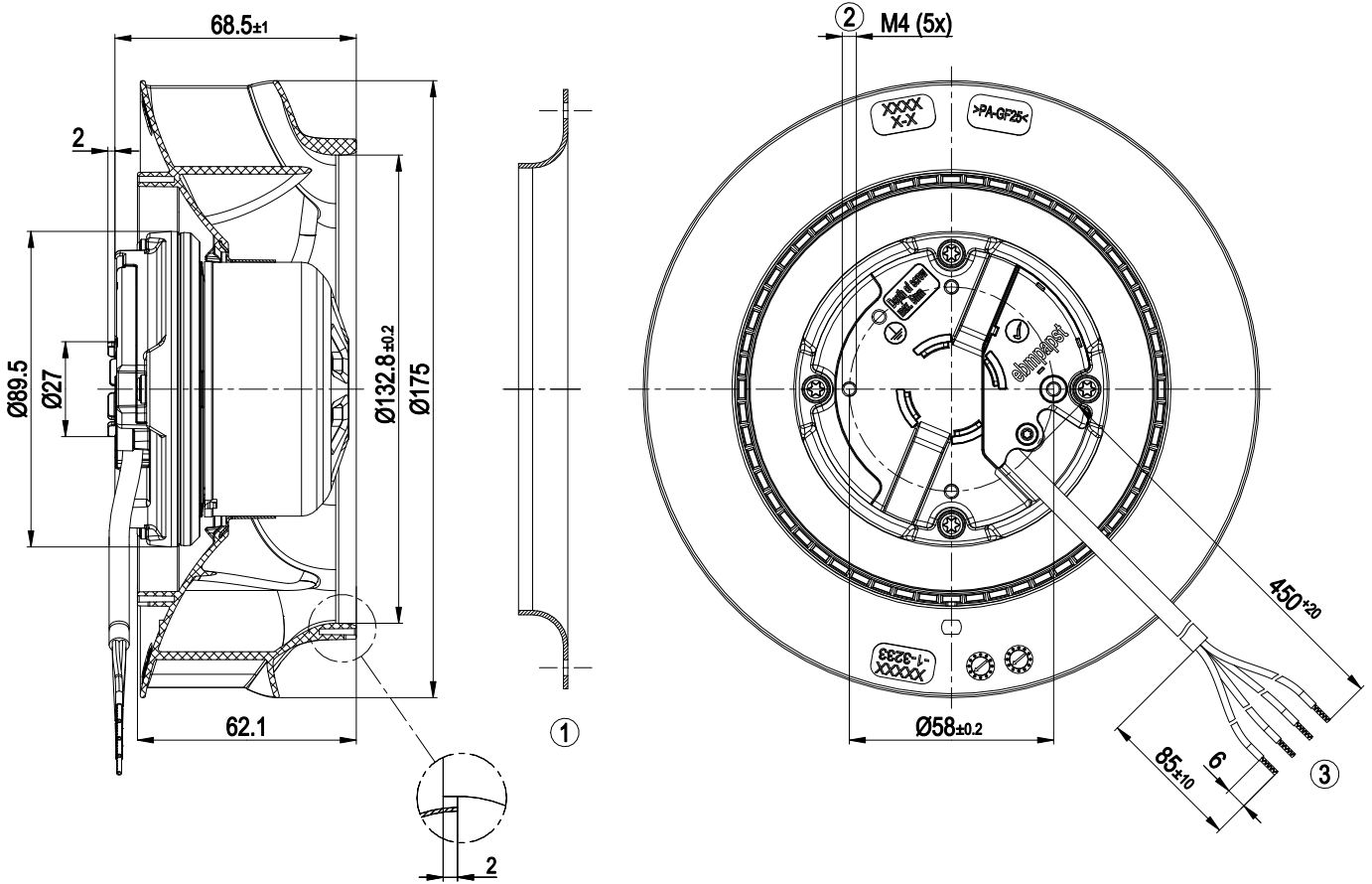
ml = Max. load · me = Max. efficiency · fa = Free air · cs = Customer specification · ce = Customer equipment  
Subject to change



## Technical description

|  |  |
|--|--|
| Weight   | 0.9 kg   |
| Size   | 175 mm   |
| Motor size   | 55   |
| Rotor surface  | Thick-film passivated  |
| Electronics housing material   | Die-cast aluminum  |
| Impeller material  | PA plastic   |
| Number of blades   | 7  |
| Direction of rotation  | Clockwise, viewed toward rotor   |
| Degree of protection   | IP54   |
| Insulation class   | "B"  |
| Moisture (F) / Environmental (H) protection class                          | H1   |
| Max. permitted ambient temp. for motor (transport/storage)                 | + 80 °C  |
| Min. permitted ambient temp. for motor (transport/storage)                 | - 40 °C  |
| Installation position  | Any  |
| Condensation drainage holes  | None, open rotor   |
| Mode   | S1   |
| Motor bearing  | Ball bearing   |
| Technical features   | <ul style="list-style-type: none"> <li>- Speed setting input (230 V)</li> <li>- Power limiter</li> <li>- Motor current limitation</li> <li>- Soft start</li> <li>- Thermal overload protection for electronics/motor</li> <li>- Line undervoltage detection</li> </ul> |
| Speed levels   | 2  |
| EMC immunity to interference   | According to EN 61000-6-2 (industrial environment)   |
| EMC circuit feedback   | According to EN 61000-3-2/3  |
| EMC interference emission  | According to EN 61000-6-3 (household environment)  |
| Touch current according to IEC 60990 (measuring circuit Fig. 4, TN system) | <= 3.5 mA  |
| Motor protection   | Electronic motor protection  |
| With cable   | Variable   |
| Protection class   | I (with customer connection of protective earth)   |
| Conformity with standards  | EN 60335-1; CE   |
| Approval   | UL 1004-7 + 60730; CSA C22.2 No. 77 + CAN/CSA-E60730-1   |

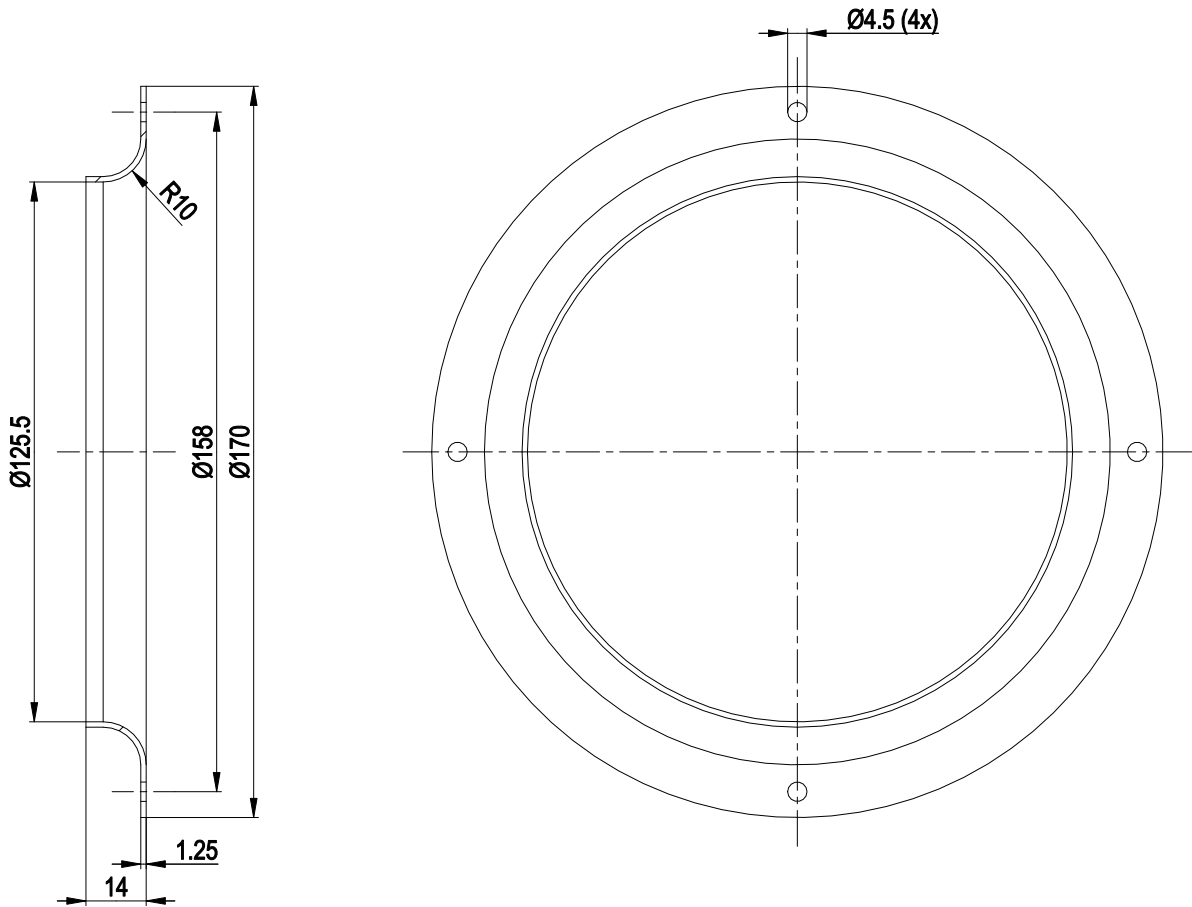
Product drawing



|   |   |
|---|---|
| 1 | Accessory part: inlet ring 09576-2-4013 not included in scope of delivery |
| 2 | Max. clearance for screw 5 mm   |
| 3 | Cable PVC AWG20   |
|   | 4x splice   |



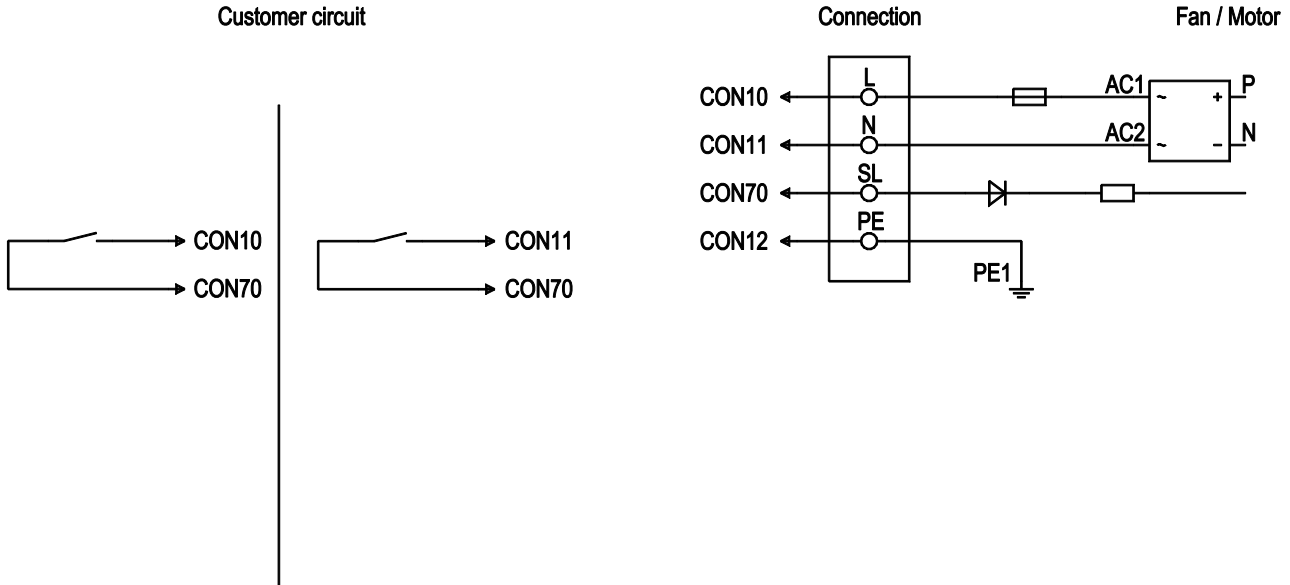
## Accessory part



1 Accessory part: inlet ring 09576-2-4013 not included in scope of delivery



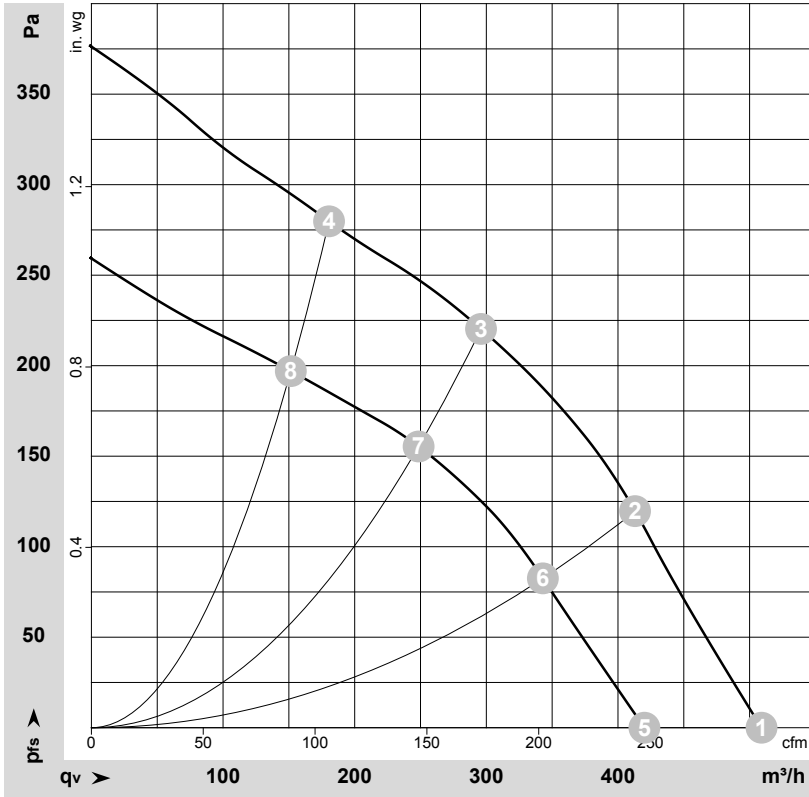
## Connection diagram



| No. | Conn.  | Designation | Color        | Function/assignment   |
|-----|--------|-------------|--------------|---|
|     | CON 10 | L           | black        | Power supply 230 VAC, 50-60 Hz, see nameplate for voltage range |
|     | CON 11 | N           | blue         | Neutral conductor   |
|     | CON 12 | PE          | green/yellow | Protective earth  |
|     | CON 70 | SL          | brown        | Speed selection: switch open speed 1; switch closed speed 2     |



## Curves: Air performance 50 Hz



$\rho = 1.15 \text{ kg/m}^3 \pm 2 \%$

Measurement: LU-185887-1  
Measurement: LU-185955-1

Air performance measured according to ISO 5801 installation category A. For detailed information on the measurement setup, contact ebm-papst. Intake sound level: Sound power level according to ISO 13347 / sound pressure level measured at 1 m distance from fan axis. The values given are valid under the specified measuring conditions and may vary due to conditions of installation. For deviations from the standard configuration, the parameters have to be checked on the installed unit.

## Measured values

|   | Stage | Wired | U   | f  | n                 | P <sub>ed</sub> | I    | LpA <sub>in</sub> | LwA <sub>in</sub> | q <sub>v</sub>    | p <sub>fs</sub> | q <sub>v</sub> | p <sub>fs</sub> |
|---|-------|-------|-----|----|-------------------|-----------------|------|-------------------|-------------------|-------------------|-----------------|----------------|-----------------|
|   |       |       | V   | Hz | min <sup>-1</sup> | W               | A    | dB(A)             | dB(A)             | m <sup>3</sup> /h | Pa              | cfm            | in. wg          |
| 1 | 2     | 1~    | 230 | 50 | 3060              | 39              | 0.39 | 61                | 68                | 510               | 0               | 300            | 0.00            |
| 2 | 2     | 1~    | 230 | 50 | 2995              | 41              | 0.40 | 56                | 63                | 415               | 120             | 245            | 0.48            |
| 3 | 2     | 1~    | 230 | 50 | 2950              | 43              | 0.42 | 55                | 63                | 295               | 220             | 175            | 0.88            |
| 4 | 2     | 1~    | 230 | 50 | 3000              | 41              | 0.40 | 56                | 65                | 180               | 280             | 105            | 1.12            |
| 5 | 1     | 1~    | 230 | 50 | 2545              | 25              | 0.26 | 56                | 64                | 420               | 0               | 245            | 0.00            |
| 6 | 1     | 1~    | 230 | 50 | 2500              | 26              | 0.28 | 53                | 60                | 345               | 83              | 200            | 0.33            |
| 7 | 1     | 1~    | 230 | 50 | 2480              | 27              | 0.28 | 50                | 58                | 250               | 156             | 145            | 0.63            |
| 8 | 1     | 1~    | 230 | 50 | 2515              | 26              | 0.27 | 52                | 60                | 150               | 197             | 90             | 0.79            |

Wired = Wiring · U = Voltage · f = Frequency · n = Speed (rpm) · P<sub>ed</sub> = Power consumption · I = Current draw · LpA<sub>in</sub> = Sound pressure level intake side · LwA<sub>in</sub> = Sound power level intake side  
q<sub>v</sub> = Air flow · p<sub>fs</sub> = Pressure increase

