

R3G150-AH15-10 ebmpapst Datasheet

sales@fansco.com

www.fansco.com

Limited partnership · Headquarters Muldingen
County court Stuttgart · HRA 590344General partner Elektrobau Muldingen GmbH · Headquarters Muldingen
County court Stuttgart · HRB 590142**Nominal data**

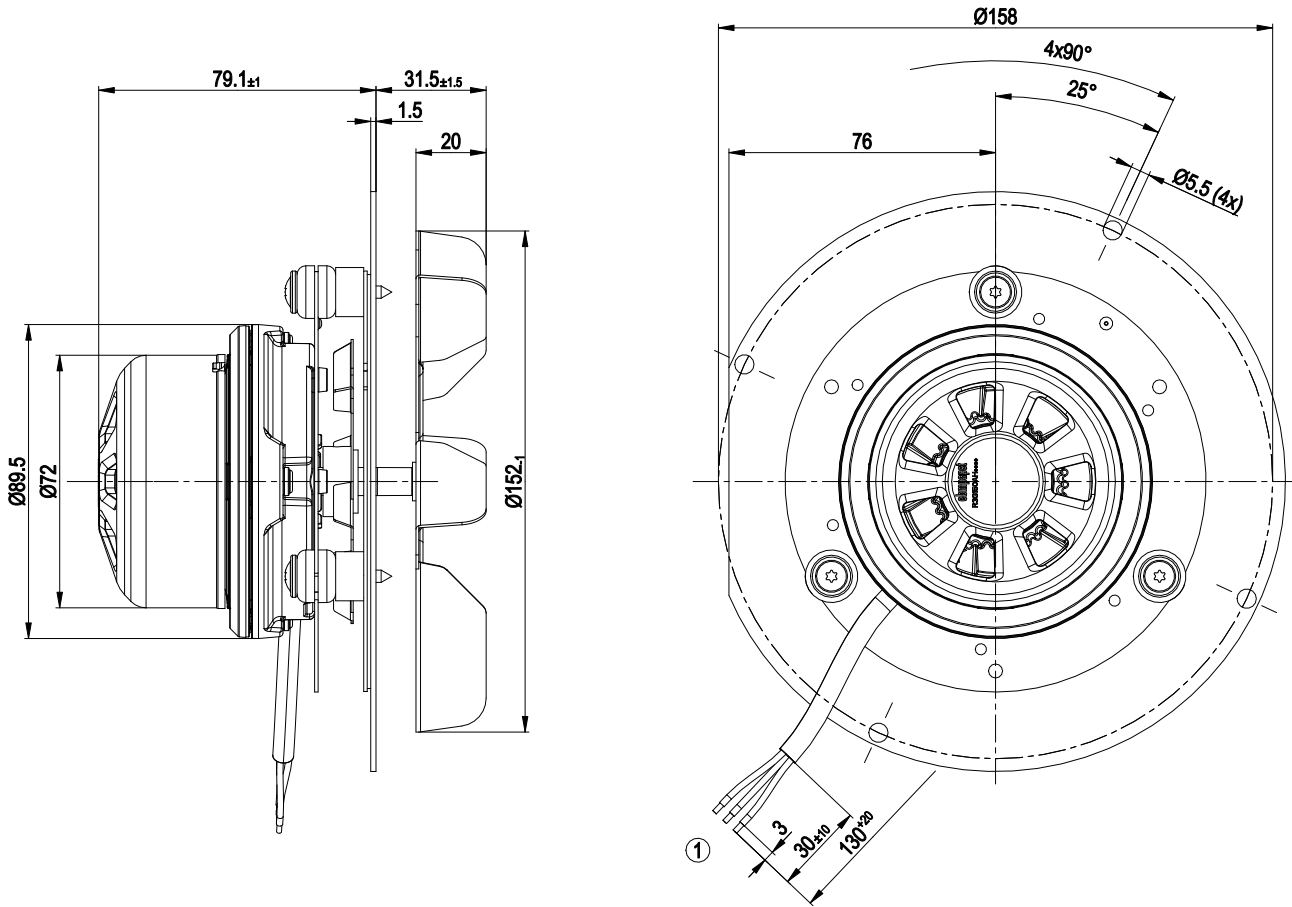
Type	R3G150-AH15-10	
Motor	M3G055-AI	
Nominal voltage	VDC	24
Type of data definition		cs
Speed (rpm)	min ⁻¹	4550
Min. ambient temperature	°C	-25
Max. ambient temperature	°C	80
Max. temp. of flow medium	°C	250

ml = Max. load · me = Max. efficiency · fa = Running at free air · cs = Customer specs · cu = Customer unit
Subject to alterations

Technical features

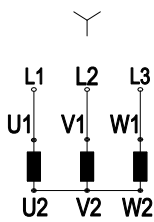
Mass	1.2 kg
Size	150 mm
Surface of rotor	Thick layer passivated
Material of impeller	Sheet steel, stainless
Material of mounting plate	Sheet steel, galvanised
Number of blades	6
Motor suspension	Motor anti-vibration mounted on one side via mounting plate
Direction of rotation	Counter-clockwise, seen on rotor
Type of protection	IP 00
Insulation class	"B"
Humidity (F)/environmental protection class (H)	H0 - dry environment
Max. permissible ambient motor temp. (transp./ storage)	+ 80 °C
Min. permissible ambient motor temp. (transp./storage)	- 40 °C
Mounting position	Any
Condensate discharge holes	None, open rotor
Operation mode	S1
Motor bearing	Ball bearing
Cable exit	Variable
Product conforming to standard	EN 60335-1; CE

Product drawing



1 Connection line PVC AWG20, 3x tin-plated lead tips

Connection screen

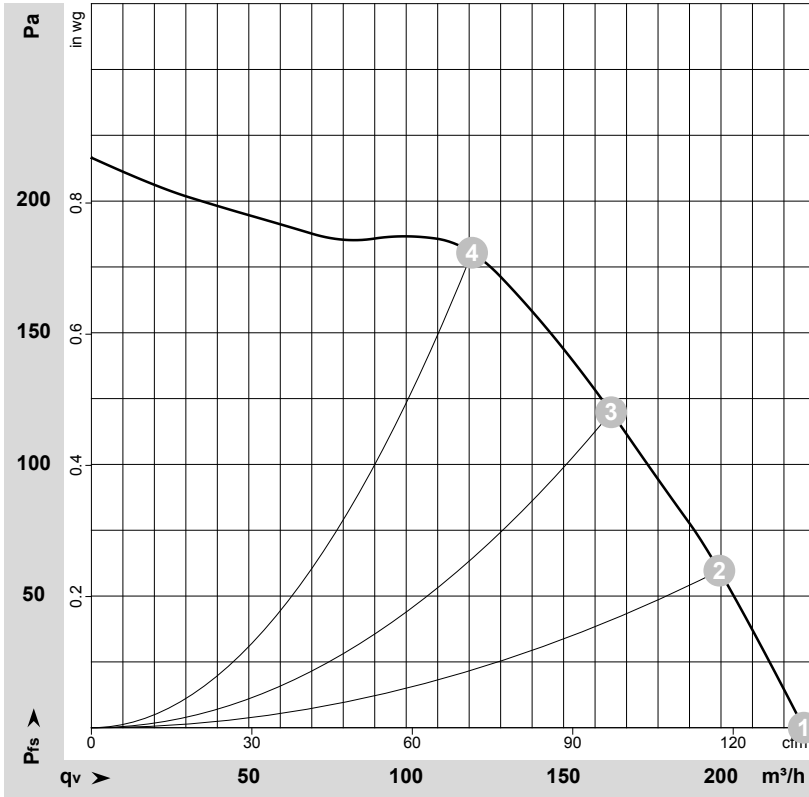


Note: Direction of rotation changes when two phases are reversed

Y	Star connection	L1	black	L2	blue
L3	brown				



Charts: Air flow



$\rho = 1.175 \text{ kg/m}^3 \pm 2 \%$

Measurement: LU-169639-1

Air performance measured as per ISO 5801 Installation category A. For detailed information on the measuring set-up, please contact ebmpapst. Suction-side noise levels: LwA measured as per ISO 13347 / LpA measured with 1m distance to fan axis. The values given are valid under the measuring conditions mentioned above and may vary according to the actual installation situation. With any deviation from the standard set-up, the specific values have to be checked and reviewed with the unit installed.

Measured values

	U	n	P_{ed}	I	LpA_{in}	LwA_{in}	q_v	P_{fs}	q_v	P_{fs}
	V	min^{-1}	W	A	dB(A)	dB(A)	m^3/h	Pa	cfm	inH2O
1	24	2750	24	1.03	59	67	225	0	135	0.00
2	24	2750	25	1.06	57	66	200	60	115	0.24
3	24	2750	24	1.01	55	63	165	120	95	0.48
4	24	2750	20	0.84	53	61	120	180	70	0.72

U = Supply voltage · n = Speed (rpm) · P_{ed} = Power input · I = Current draw · LpA_{in} = Sound pressure level inlet side · LwA_{in} = Sound power level inlet side · q_v = Air flow · P_{fs} = Pressure increase

