

R3G140-AV03-24

# EC centrifugal fan

forward curved, single inlet



R3G140-AV03-24 ebmpapst Datasheet

[sales@fansco.com](mailto:sales@fansco.com)

[www.fansco.com](http://www.fansco.com)

Limited partnership · Headquarters Muldingen  
County court Stuttgart · HRA 590344

General partner Elektrobau Muldingen GmbH · Headquarters Muldingen  
County court Stuttgart · HRB 590142

## Nominal data

Type	R3G140-AV03-24	
Motor	M3G055-CF	
Phase		1~
Nominal voltage	VAC	230
Frequency	Hz	50/60
Type of data definition		ml
Speed	min <sup>-1</sup>	1800
Power input	W	66
Current draw	A	0.5
Min. ambient temperature	°C	-25
Max. ambient temperature	°C	60

ml = Max. load · me = Max. efficiency · fa = Running at free air · cs = Customer specs · cu = Customer unit  
Subject to alterations



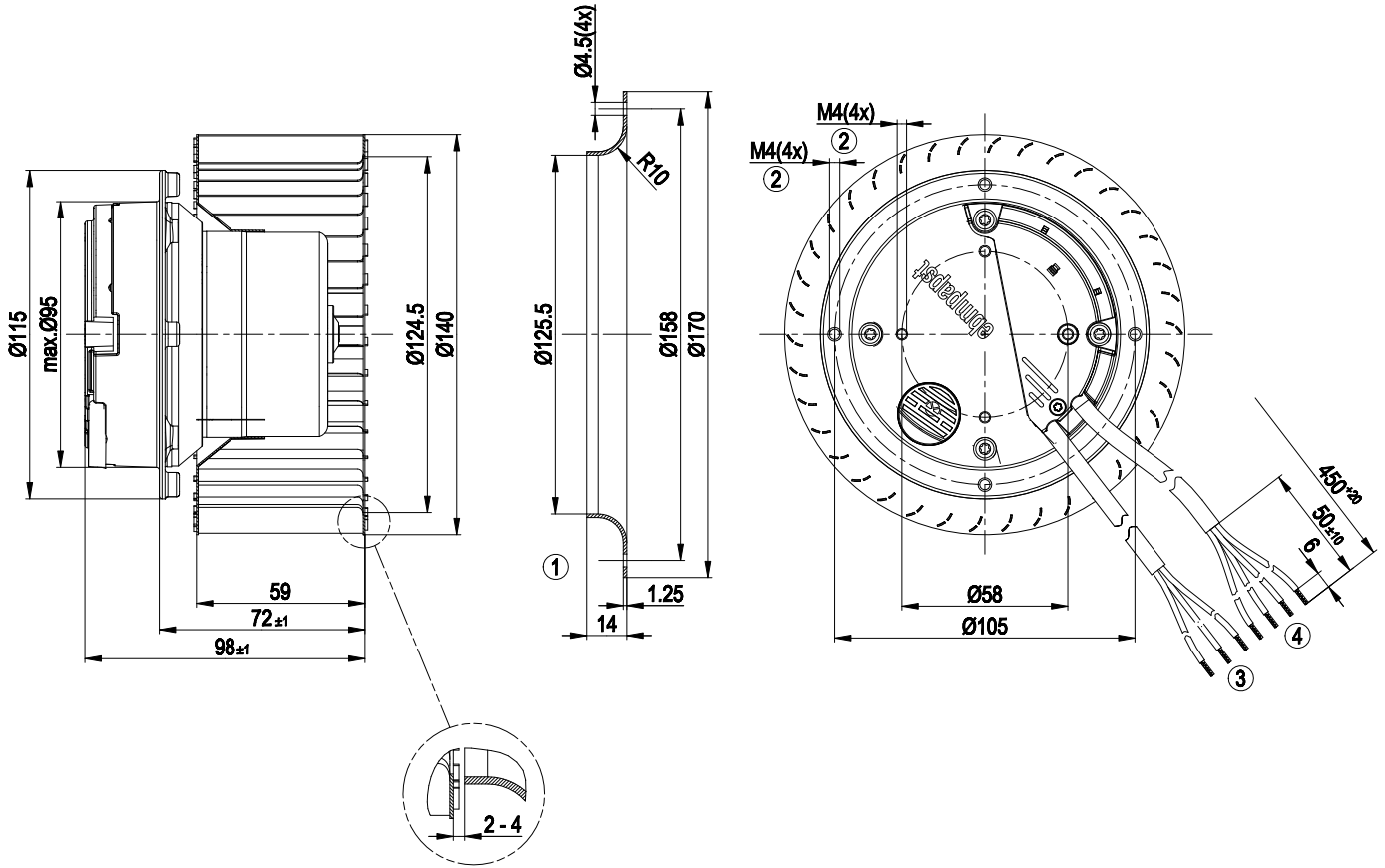
## Technical features

Mass	1.2 kg
Size	140 mm
Surface of rotor	Thick layer passivated
Material of impeller	Sheet steel, galvanised
Direction of rotation	Clockwise, seen on rotor
Type of protection	IP 44
Insulation class	"B"
Humidity class	F3-1
Max. permissible ambient motor temp. (transp./ storage)	+ 80 °C
Min. permissible ambient motor temp. (transp./storage)	- 40 °C
Mounting position	Any
Condensate discharge holes	Rotor-side
Operation mode	S1
Motor bearing	Ball bearing
Technical features	<ul style="list-style-type: none"> <li>- Output 10 VDC, max. 1.1 mA</li> <li>- Tach output</li> <li>- Motor current limit</li> <li>- Soft start</li> <li>- Control input 0-10 VDC / PWM</li> <li>- Control interface with SELV potential safely disconnected from the mains</li> <li>- Over-temperature protected motor</li> </ul>
EMC interference immunity	Acc. to EN 61000-6-2 (industrial environment)
EMC harmonics	Acc. to EN 61000-3-2/3
EMC interference emission	Acc. to EN 61000-6-3 (household environment)
Touch current acc. IEC 60990 (measuring network Fig. 4, TN system)	<= 3.5 mA
Motor protection	Thermal overload protector (TOP) wired internally
Cable exit	Variable
Protection class	I (if protective earth is connected by customer)
Product conforming to standard	EN 60335-1

# EC centrifugal fan

forward curved, single inlet

## Product drawing



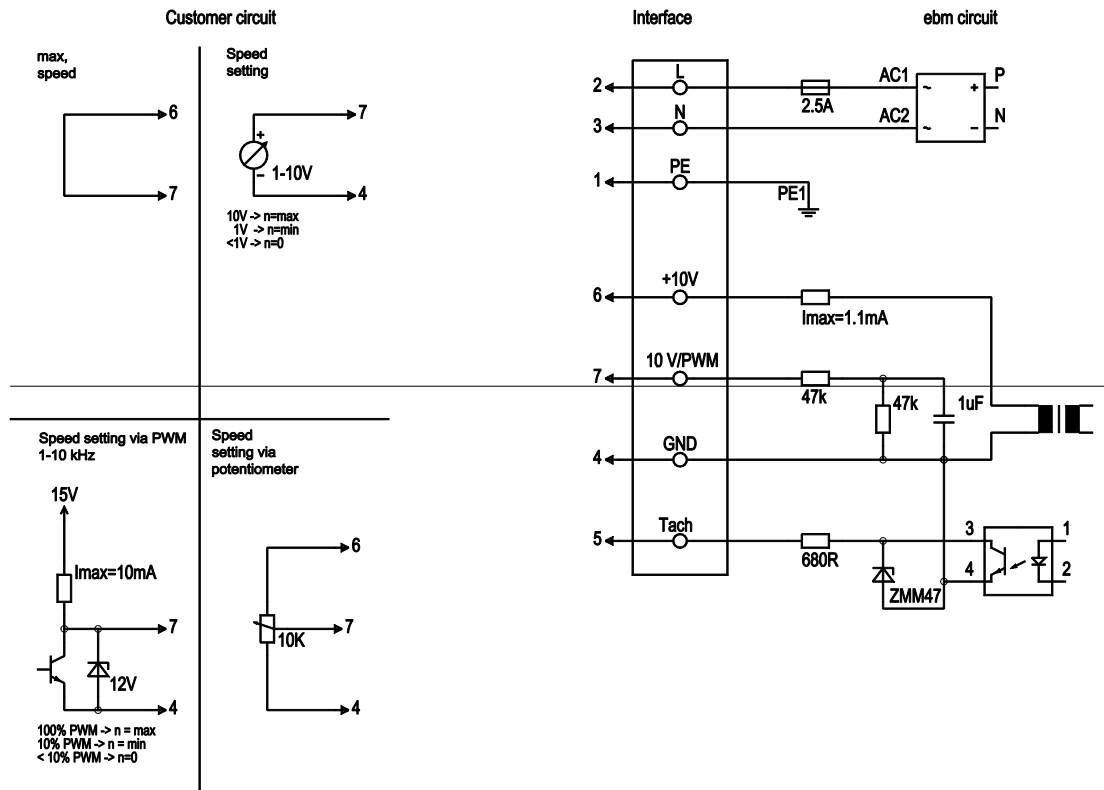
1	Accessory part: Inlet nozzle 09576-2-4013, not included in the standard scope of delivery
2	Depth of screw max. 6 mm
3	Connection line PVC 3G 0.5 mm <sup>2</sup> , 3x brass lead tips crimped
4	Connection line PVC 4x 0.25 mm <sup>2</sup> , 4x brass lead tips crimped



# EC centrifugal fan

forward curved, single inlet

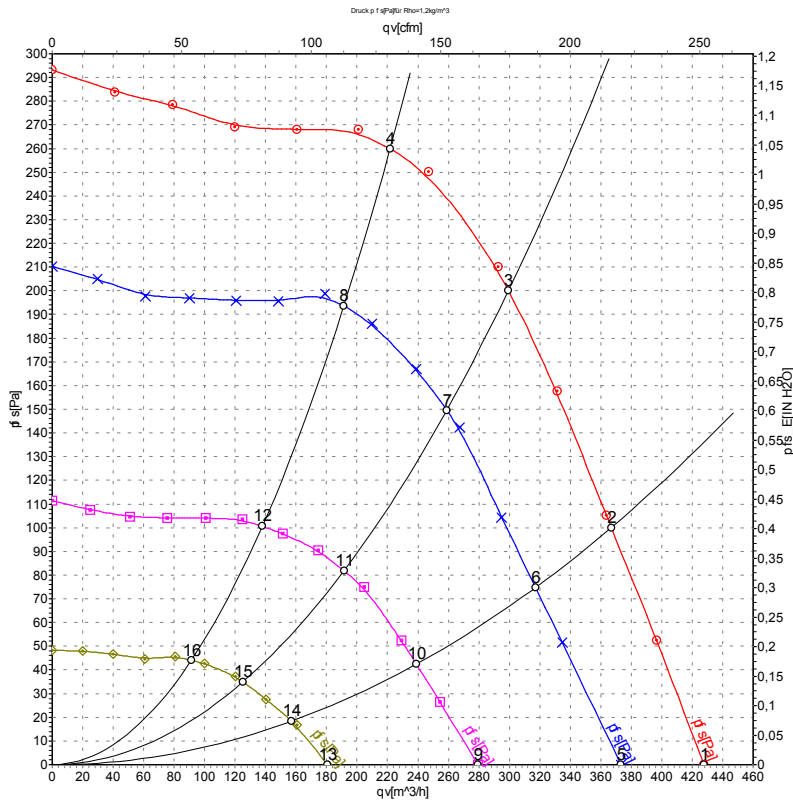
## Connection screen



Line	No.	Signal	Colour	Function / assignment
	2	L	brown	Power supply 230 VAC, 50-60 Hz, see type plate for voltage range
	3	N	Blue	Neutral conductor
	1	PE	green/yellow	Protective earth
	7	0-10V PWM	yellow	Control input 0 - 10 V or PWM, electrically isolated
	5	Tacho	white	Tach output: open collector, 1 pulse per revolution, electrically isolated
	6	10V/ max 1.1mA	red	Voltage output 10V/ 1.1mA, electrically isolated, short-circuit-proof.
	4	GND	Blue	GND - Connection for control interface



## Charts: Air flow 50 Hz



Measurement: LU-65700  
 Measurement: LU-117046  
 Measurement: LU-117047  
 Measurement: LU-117050

Air performance measured as per ISO 5801 Installation category A. For detailed information on the measuring set-up, please contact ebm-papst. Suction-side noise levels: LwA measured as per ISO 13347 / LpA measured with 1m distance to fan axis. The values given are valid under the measuring conditions mentioned above and may vary according to the actual installation situation. With any deviation from the standard set-up, the specific values have to be checked and reviewed with the unit installed.

## Measured values

	U	f	n	P <sub>ed</sub>	I	qv	P <sub>fs</sub>
	V	Hz	min <sup>-1</sup>	W	A	m <sup>3</sup> /h	Pa
1	230	50	1800	66	0.50	430	0
2	230	50	1855	59	0.43	365	100
3	230	50	1960	50	0.36	300	200
4	230	50	2075	42	0.31	220	260
5	230	50	1580	46	0.35	375	0
6	230	50	1630	40	0.30	315	75
7	230	50	1710	34	0.26	260	150
8	230	50	1780	27	0.21	190	194
9	230	50	1195	22	0.17	280	0
10	230	50	1220	18	0.14	240	42
11	230	50	1265	16	0.13	190	82
12	230	50	1305	13	0.11	140	101
13	230	50	810	9.0	0.08	180	0
14	230	50	830	8.1	0.07	155	19
15	230	50	845	6.9	0.07	125	35
16	230	50	890	6.4	0.06	90	44

U = Supply voltage · f = Frequency · n = Speed · P<sub>ed</sub> = Power input · I = Current draw · qv = Air flow · p<sub>fs</sub> = Pressure increase

