

R3G140-AA17-01

EC centrifugal fan

forward-curved, single-intake

R3G140-AA17-01 ebmpapst Datasheet

sales@fansco.com

www.fansco.com

Nominal data

Type	R3G140-AA17-01	
Motor	M3G055-CF	
Phase		1~
Nominal voltage	VAC	230
Nominal voltage range	VAC	200 .. 240
Frequency	Hz	50/60
Method of obtaining data		ml
Speed (rpm)	min ⁻¹	2020
Power consumption	W	83
Current draw	A	0.7
Min. back pressure	Pa	0
Min. back pressure	in. wg	0
Min. ambient temperature	°C	-25
Max. ambient temperature	°C	60

ml = Max. load · me = Max. efficiency · fa = Free air · cs = Customer specification · ce = Customer equipment
Subject to change



ebmpapst

R3G140-AA17-01

EC centrifugal fan

forward-curved, single-intake

Technical description

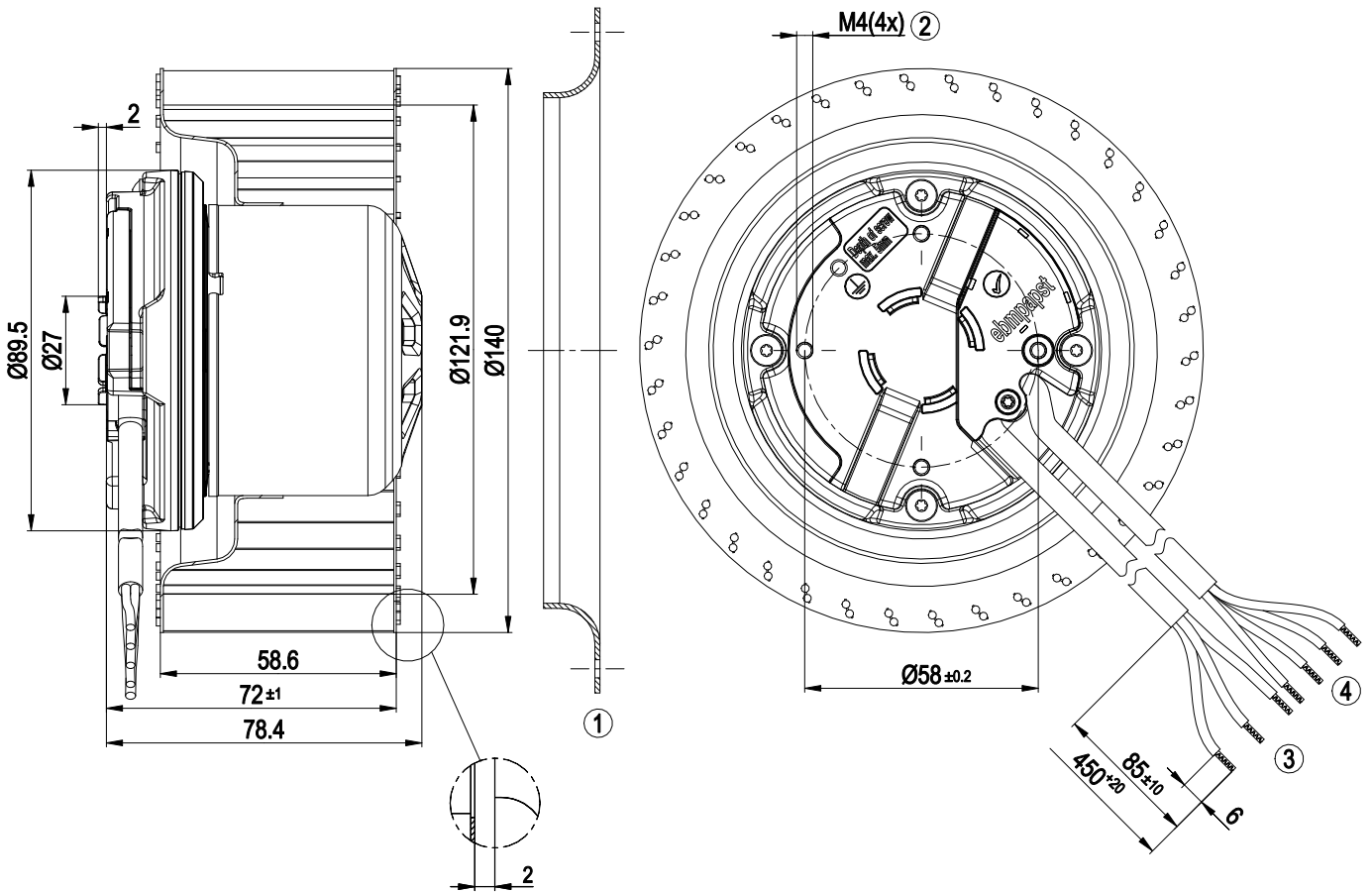
Weight	1.3 kg
Fan size	140 mm
Impeller material	Sheet steel, galvanized
Direction of rotation	Clockwise, viewed toward rotor
Degree of protection	IP54
Insulation class	"B"
Moisture (F) / Environmental (H) protection class	H1
Max. permitted ambient temp. for motor (transport/storage)	+ 80 °C
Min. permitted ambient temp. for motor (transport/storage)	- 40 °C
Installation position	Any
Condensation drainage holes	None
Motor bearing	Ball bearing
Technical features	<ul style="list-style-type: none"> - Output 10 VDC, max. 1.1 mA - Tach output - Power limiter - Motor current limitation - Soft start - Control input 0-10 VDC / PWM - Control interface with SELV potential safely disconnected from supply - Overvoltage detection - Thermal overload protection for electronics/motor - Line undervoltage detection
EMC immunity to interference	According to EN 61000-6-2 (industrial environment)
EMC circuit feedback	According to EN 61000-3-2/3
EMC interference emission	According to EN 61000-6-4 (industrial environment)
Touch current according to IEC 60990 (measuring circuit Fig. 4, TN system)	<= 3.5 mA
Motor protection	Electronic motor protection
With cable	Variable
Protection class	I (with customer connection of protective earth)
Conformity with standards	EN 60335-1; CE
Approval	CCC; C22.2 No.77 + CAN/CSA-E60730-1; UL 1004-7 + 60730

**ebmpapst**

EC centrifugal fan

forward-curved, single-intake

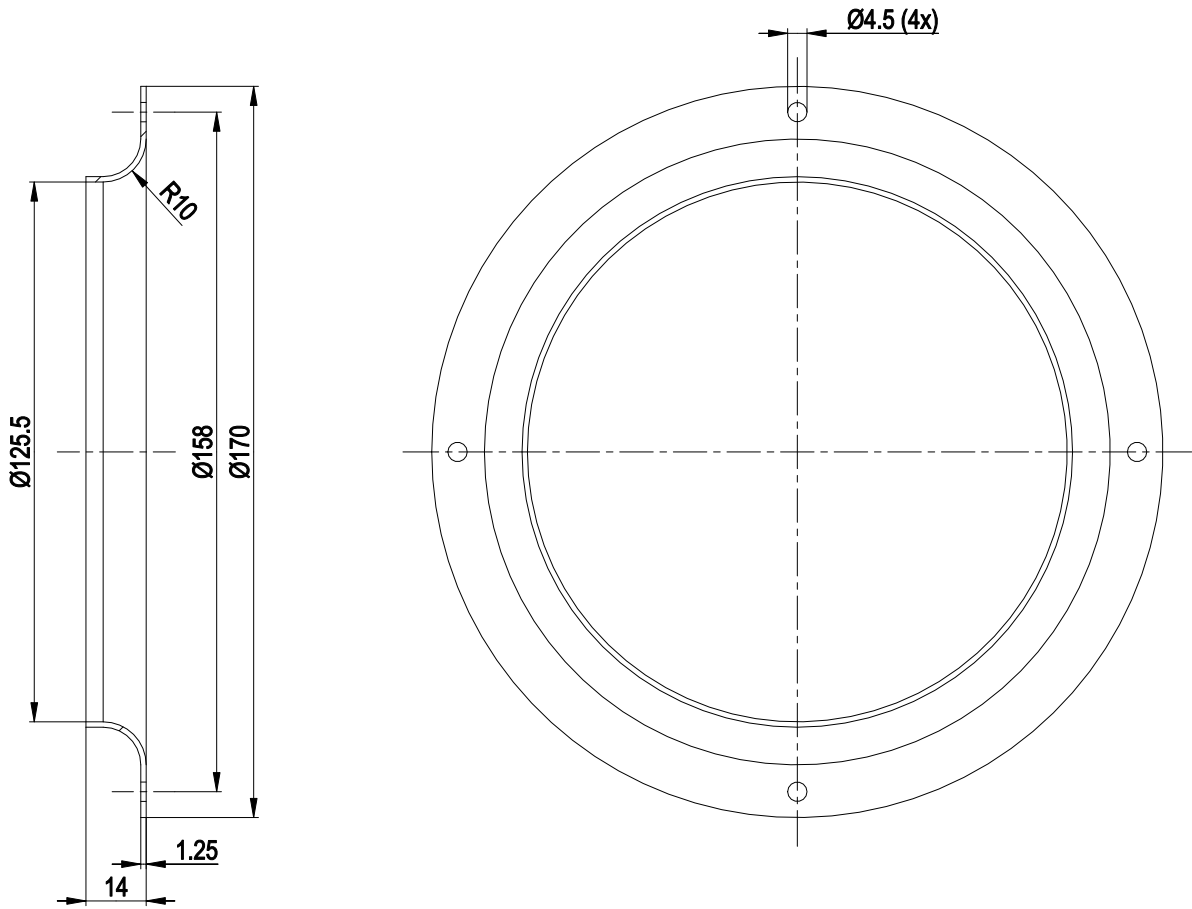
Product drawing



1	Accessory part: inlet ring 09576-2-4013, not included in scope of delivery
2	Max. clearance for screw 5 mm
3	Cable PVC AWG20, 3x crimped splices
4	Cable PVC AWG22, 4x crimped splices



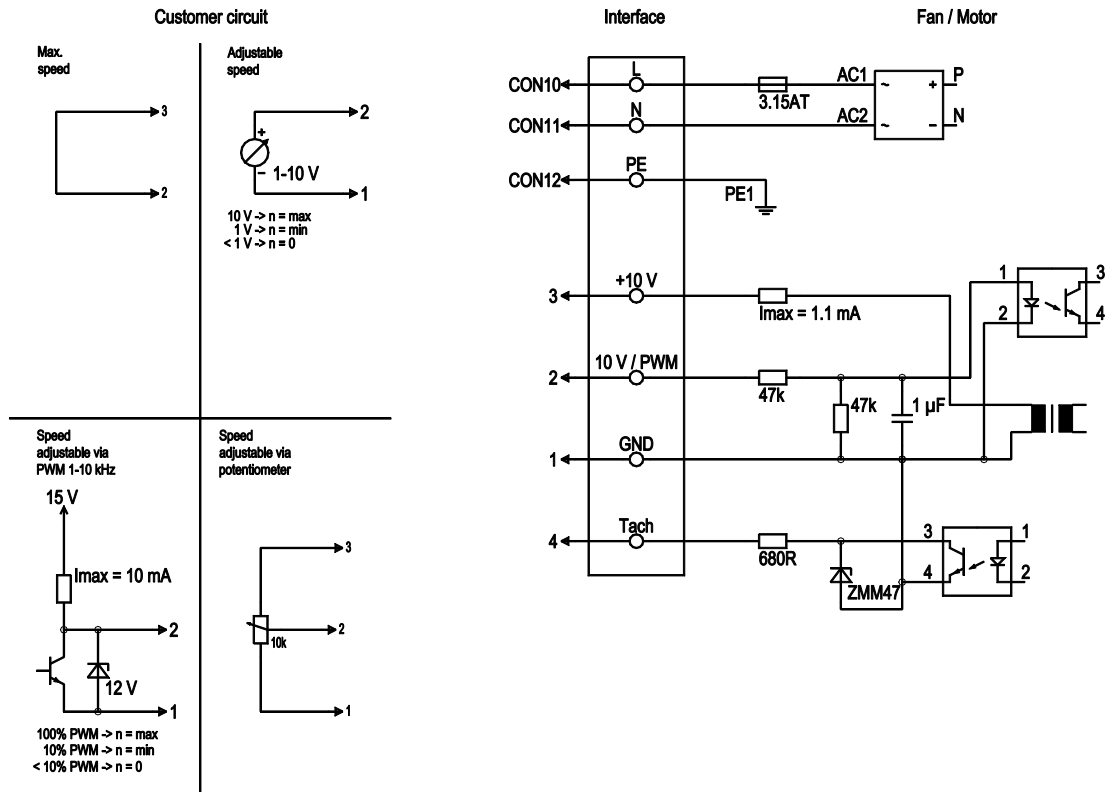
Accessory part



1 Accessory part: inlet ring 09576-2-4013 not included in scope of delivery



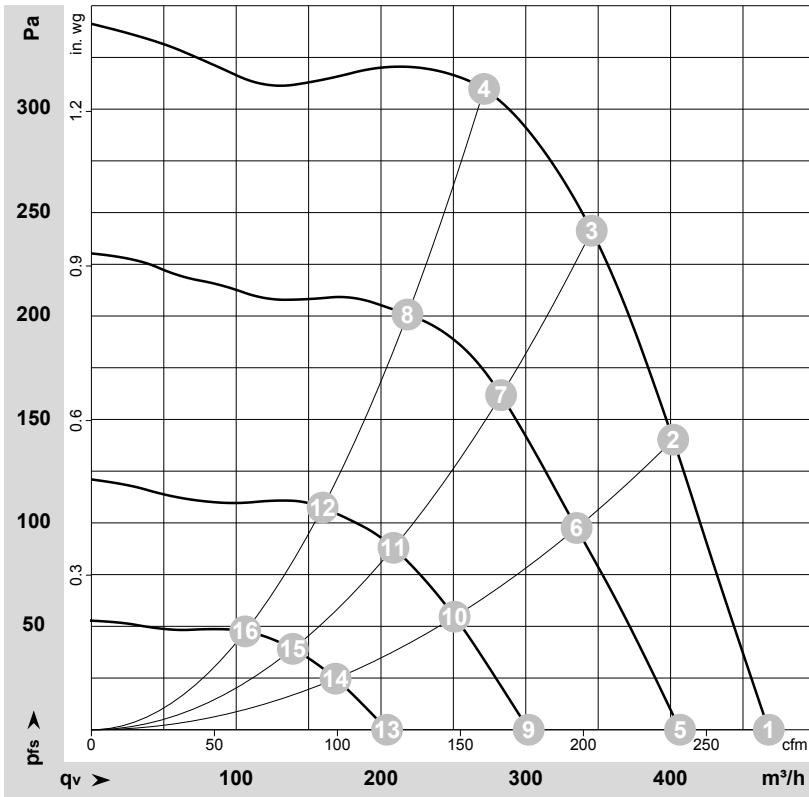
Connection diagram



No.	Conn.	Designation	Color	Function/assignment
	CON10	L	black	Power supply 230 VAC, 50-60 Hz, see nameplate for voltage range
	CON11	N	blue	Neutral conductor
	CON12	PE	green/yellow	Protective earth
	1	GND	blue	GND connection for control interface
	2	0-10V PWM	yellow	Control input 0-10 V or PWM, electrically isolated
	3	10 V / max. 1,1 mA	red	Voltage output 10 VDC 1.1 mA, electrically isolated, short-circuit-proof
	4	Tacho	white	Tach output: open collector, 1 pulse per revolution, electrically isolated



Curves: Air performance 50 Hz



$\rho = 1.15 \text{ kg/m}^3 \pm 2 \%$

Measurement: LU-139318-1
 Measurement: LU-132313-1
 Measurement: LU-132314-1
 Measurement: LU-132315-1

Air performance measured according to ISO 5801 installation category A. For detailed information on the measurement setup, contact ebmpapst. Intake sound level: Sound power level according to ISO 13347 / sound pressure level measured at 1 m distance from fan axis. The values given are valid under the specified measuring conditions and may vary due to conditions of installation. For deviations from the standard configuration, the parameters have to be checked on the installed unit.

Measured values

	Wired	U	f	n	P _{ed}	I	LpA _{in}	LwA _{in}	q _v	P _{fs}	q _v	P _{fs}
		V	Hz	min ⁻¹	W	A	dB(A)	dB(A)	m ³ /h	Pa	cfm	in. wg
1	1~	230	50	2020	83	0.70	65	71	470	0	275	0.00
2	1~	230	50	2165	81	0.66	64	70	400	140	235	0.56
3	1~	230	50	2245	72	0.62	62	69	345	240	205	0.96
4	1~	230	50	2330	60	0.54	61	68	270	310	160	1.24
5	1~	230	50	1770	58	0.52			405	0	240	0.00
6	1~	230	50	1830	50	0.46			335	97	195	0.39
7	1~	230	50	1875	44	0.43			285	162	165	0.65
8	1~	230	50	1940	37	0.39			220	201	130	0.81
9	1~	230	50	1340	27	0.30			300	0	180	0.00
10	1~	230	50	1375	23	0.26			250	55	150	0.22
11	1~	230	50	1400	21	0.24			210	88	125	0.35
12	1~	230	50	1430	18	0.20			160	107	95	0.43
13	1~	230	50	905	11	0.14			205	0	120	0.00
14	1~	230	50	930	10.0	0.13			170	25	100	0.10
15	1~	230	50	945	10.0	0.11			140	39	80	0.16
16	1~	230	50	970	9.0	0.12			105	48	60	0.19

Wired = Wiring · U = Power supply · f = Frequency · n = Speed (rpm) · P_{ed} = Power consumption · I = Current draw · LpA_{in} = Sound pressure level intake side · LwA_{in} = Sound power level intake side
 q_v = Air flow · P_{fs} = Pressure increase

