

AC centrifugal fan - RadiCal

backward curved, single inlet

R3G133-AI01-02 ebmpapst Datasheet

sales@fansco.com

www.fansco.com

Phone: +49 7938 81-0

Fax: +49 7938 81-110

Nominal data

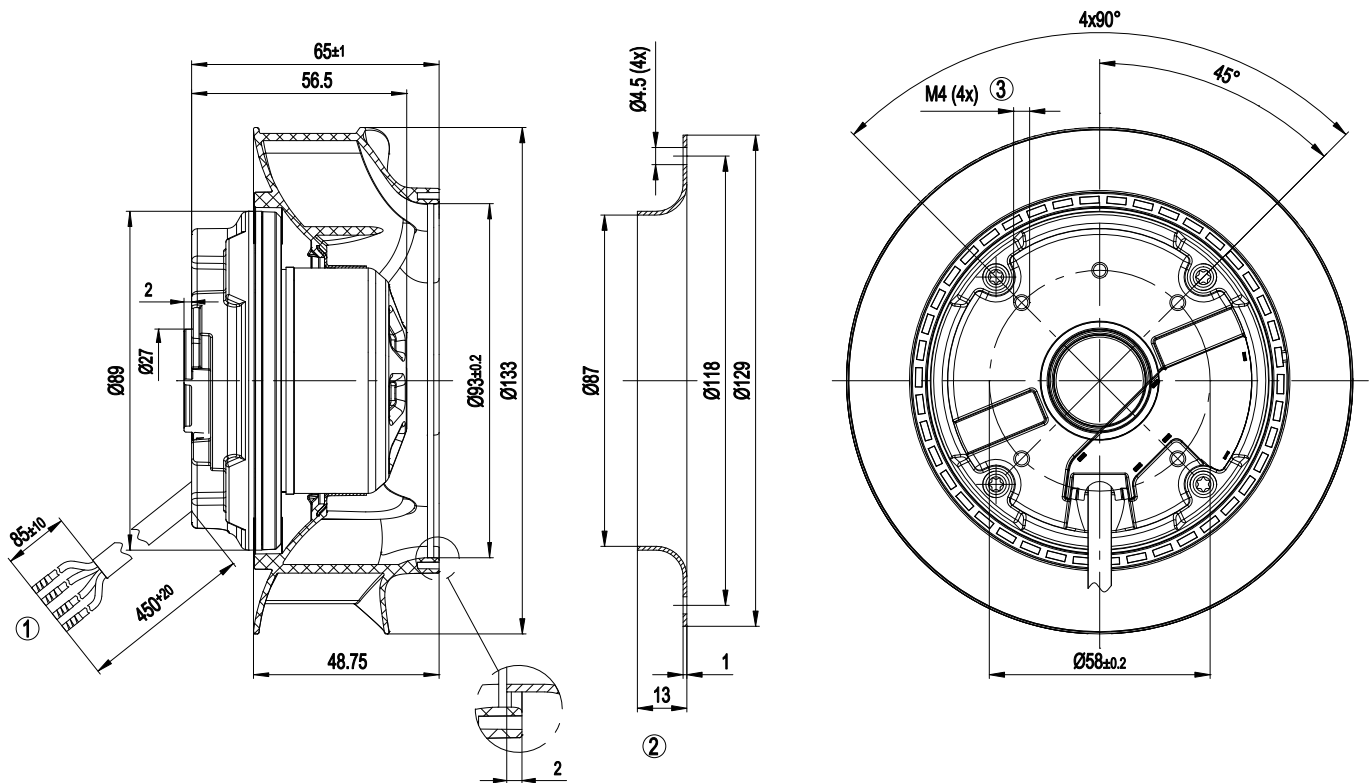
Type	R3G133-AI01-02	
Phase		1~
Nominal voltage	[VAC]	230
Frequency	[Hz]	50/60
Type of data definition		ml
State		prelim.
Speed	[min ⁻¹]	3200
Power input	[W]	18
Current draw	[A]	0.12
Min. ambient temperature	[°C]	-25
Max. ambient temperature	[°C]	+60

ml = max. load · me = max. efficiency · rfa = running at free air · cs = customer specs · cu = customer unit
Subject to alterations

Technical features

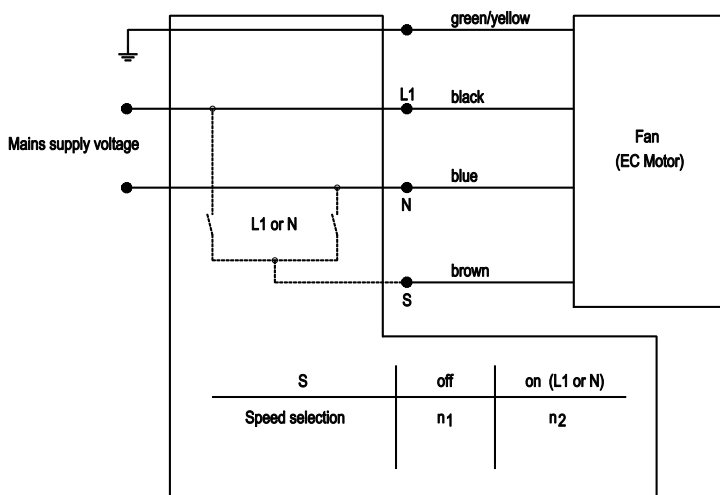
Size	133 mm
Operation mode	S1
Direction of rotation	Clockwise, seen on rotor
Speed steps	2
Mounting position	Any
Humidity class	F3-1
Insulation class	"B"
Cable exit	Axial
Condensate discharge holes	None, open rotor
Bearing motor	Ball bearing
Mass	0.5 kg
Material of electronics housing	Die-cast aluminium
Material of impeller	Plastic PA6, fibreglass-reinforced
Motor protection	Locked-rotor protection
Product conforming to standard	EN 60335-1
Surface of rotor	Thick layer passivated
Number of blades	7
Type of protection	IP 54
Protection class	I
Technical features	- Speed selection max/min
Max. permissible ambient motor temp. (transp./ storage)	+ 80 °C
Min. permissible ambient motor temp. (transp./storage)	- 40 °C

Product drawing

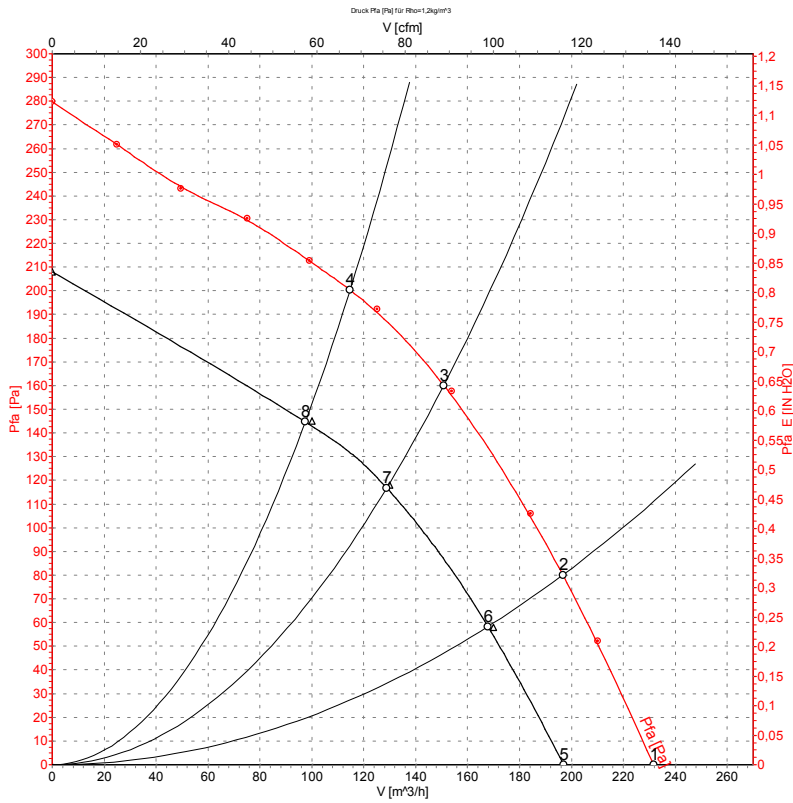


- 1 Connection line AWG 20, 4x brass lead tips crimped
- 2 Accessory part: Inlet nozzle 09566-2-4013, not included in the standard scope of delivery
- 3 Depth of screw max. 6 mm

Connection screen



Charts: Air flow 50 Hz



Measurement: LU-124711

Measured values

	U	f	n	P ₁	I	LpA _{ss}	LwA _{ss}	\hat{V}	p _{fa}
	[V]	[Hz]	[min ⁻¹]	[W]	[A]	[dB(A)]	[dB(A)]	[m ³ /h]	[Pa]
1	230	50	3300	16	0.10	54	62	230	0
2	230	50	3240	17	0.12	52	60	195	80
3	230	50	3200	18	0.12	49	57	150	160
4	230	50	3225	18	0.12	49	57	115	200
5	230	50	2825	10	0.07	50	58	195	0
6	230	50	2765	11	0.07	48	56	170	58
7	230	50	2740	11	0.08	46	54	130	118
8	230	50	2750	11	0.07	46	54	95	145