

EC centrifugal fan

forward curved, single inlet

R3G120-AC25-12 ebmpapst Datasheet

sales@fansco.com

www.fansco.com

Limited partnership · Headquarters Muldingen
 County court Stuttgart · HRA 590344

General partner Elektrobau Muldingen GmbH · Headquarters Muldingen
 County court Stuttgart · HRB 590142

Nominal data

Type	R3G120-AC25-12	
Motor	M3G055-BD	
Phase		1~
Nominal voltage	VAC	230
Nominal voltage range	VAC	200 .. 240
Frequency	Hz	50/60
Type of data definition		ml
Speed (rpm)	min ⁻¹	2770
Power input	W	84
Current draw	A	0.7
Min. back pressure	Pa	0
Min. ambient temperature	°C	-25
Max. ambient temperature	°C	50

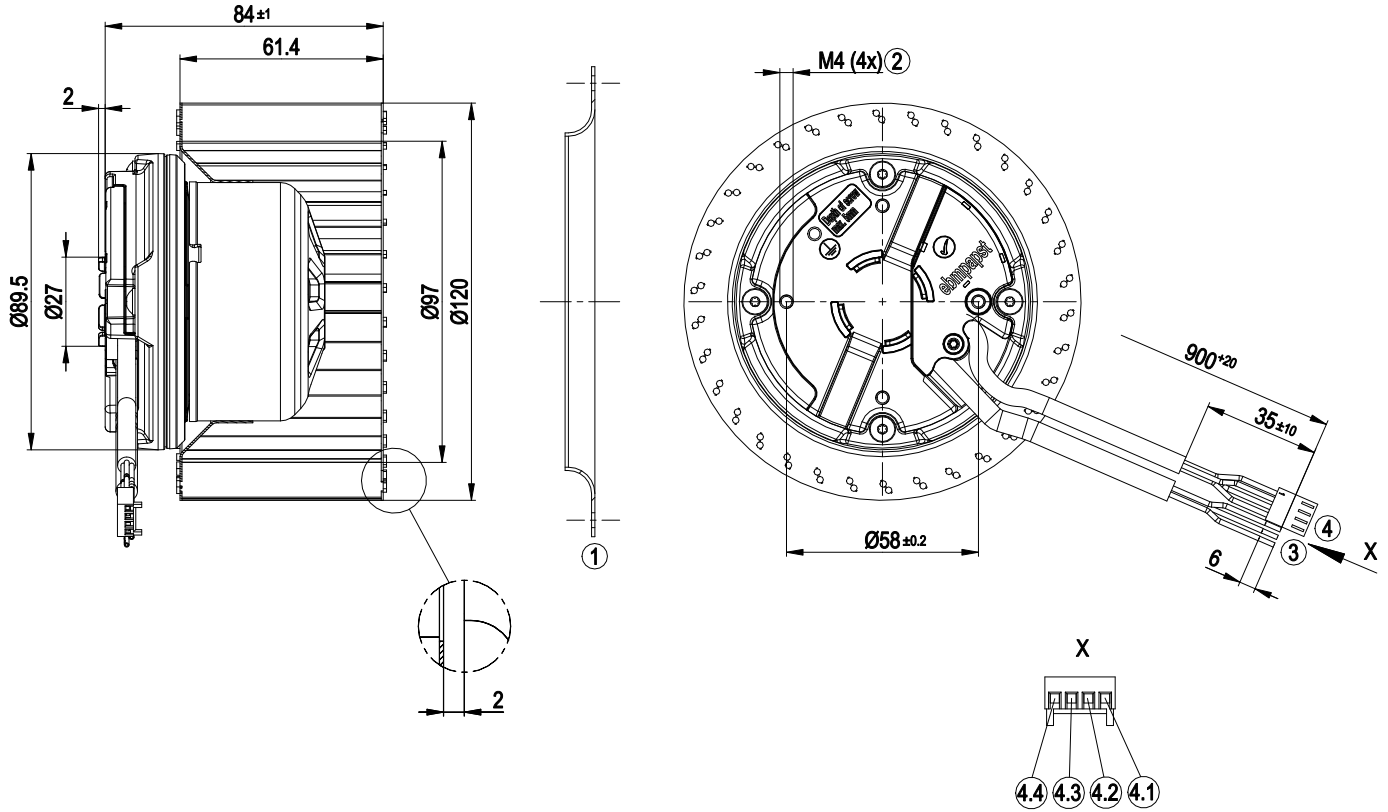
ml = Max. load · me = Max. efficiency · fa = Running at free air · cs = Customer specs · cu = Customer unit
 Subject to alterations



Technical features

Mass	0.9 kg
Size	120 mm
Surface of rotor	Thick layer passivated
Material of electronics housing	Die-cast aluminium
Material of impeller	Sheet steel, galvanised
Direction of rotation	Clockwise, seen on rotor
Type of protection	IP 54
Insulation class	"B"
Max. permissible ambient motor temp. (transp./ storage)	+ 80 °C
Min. permissible ambient motor temp. (transp./storage)	- 40 °C
Mounting position	Any
Condensate discharge holes	None, open rotor
Operation mode	S1
Motor bearing	Ball bearing
Technical features	<ul style="list-style-type: none"> - Output 10 VDC, max. 1.1 mA - Tach output - Output limit - Motor current limit - Soft start - Control input 0-10 VDC / PWM - Control interface with SELV potential safely disconnected from the mains - Overvoltage detection - Over-temperature protected electronics / motor - Line undervoltage detection
Touch current acc. IEC 60990 (measuring network Fig. 4, TN system)	<= 3.5 mA
Electrical leads	With plug
Motor protection	Locked-rotor protection
Cable exit	Variable
Protection class	I (if protective earth is connected by customer)
Product conforming to standard	EN 60335-1; CE

Product drawing

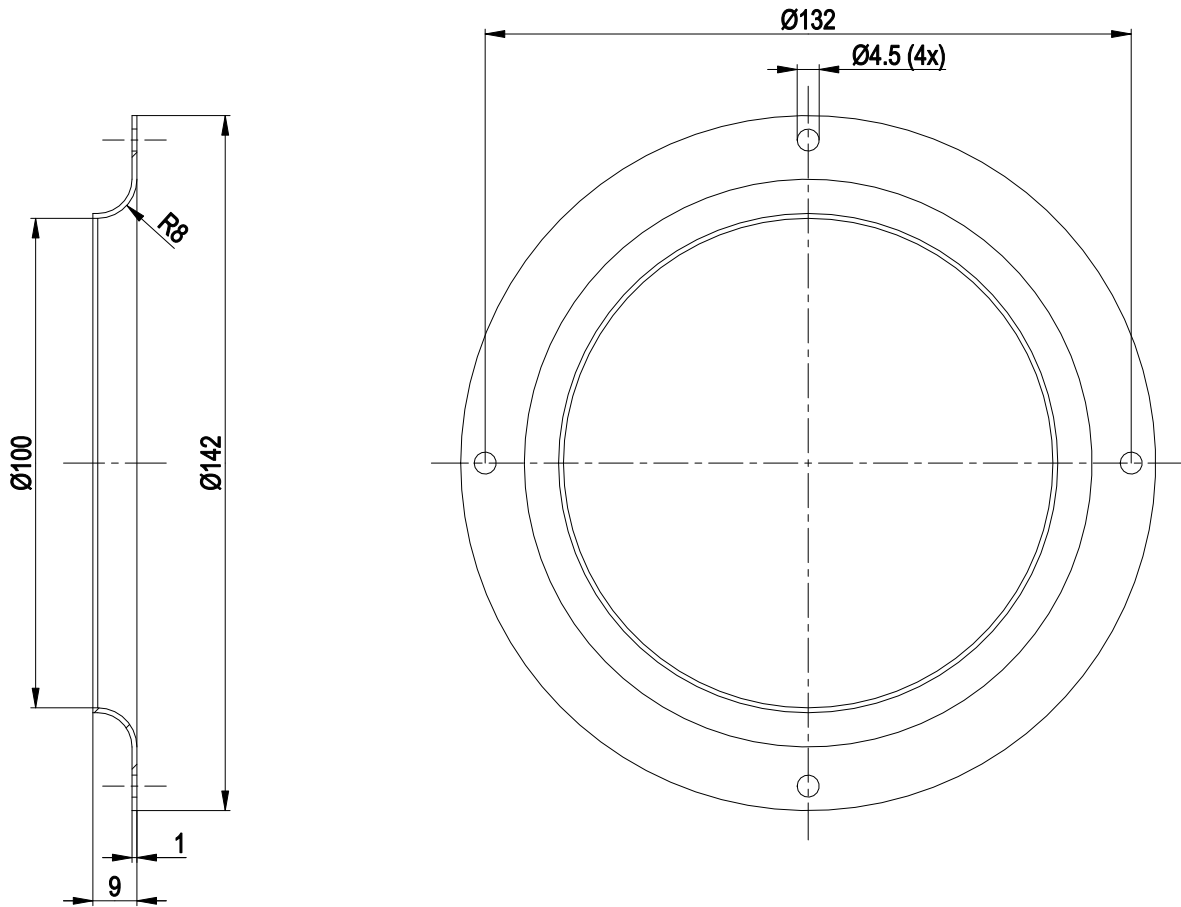


1	Accessory part: Inlet nozzle 09569-2-4013, not included in scope of delivery
2	Thread reach max. 5 mm
3	Connection line PVC AWG20, 3x lead tips crimped
4	Connection line PVC AWG22 with 4-pole connector housing Molex 22-01-2045, 4x plug pin Molex 08-50-0031
4.1	+10 V (red)
4.2	GND (blue)
4.3	0-10 V PWM (yellow)
4.4	Tach (white)

EC centrifugal fan

forward curved, single inlet

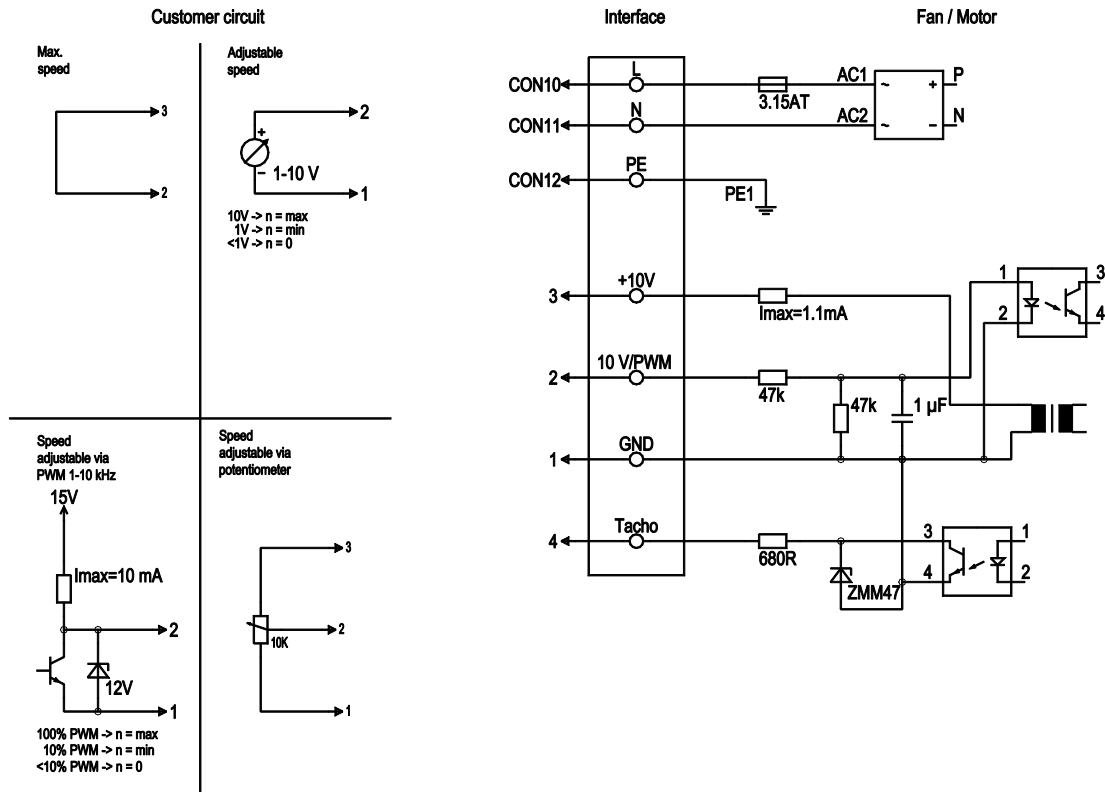
Accessory part



1 Accessory part: Inlet nozzle 09569-2-4013 not included in scope of delivery

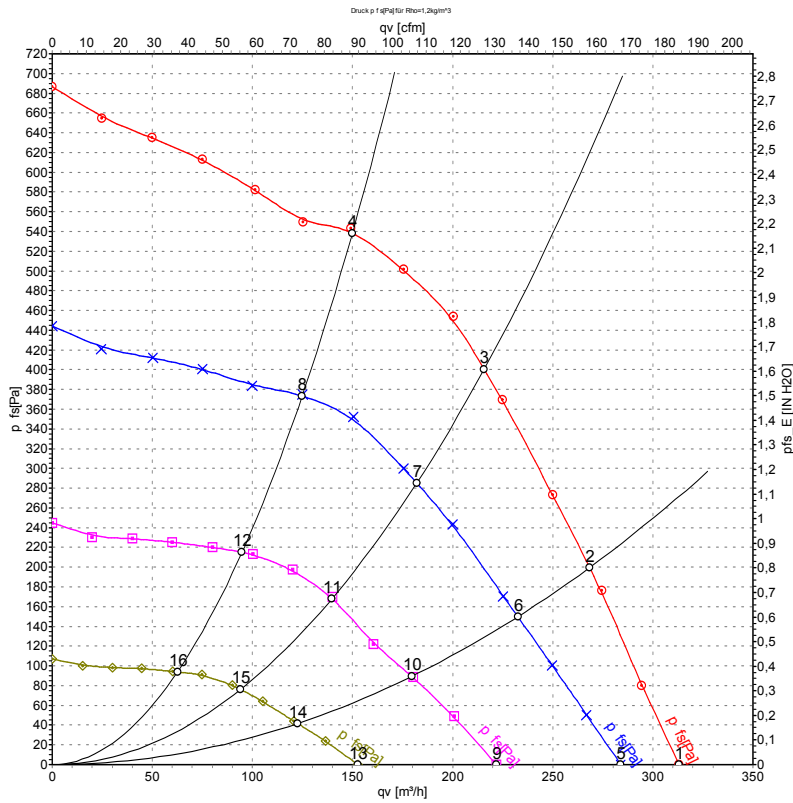


Connection screen



No.	Conn.	Designation	Colour	Function / assignment
	CON10	L	black	Power supply 230 VAC, 50-60 Hz, see type plate for voltage range
	CON11	N	blue	Neutral conductor
	CON12	PE	green/yellow	Protective earth
	1	GND	blue	GND connection for control interface
	2	0-10V PWM	yellow	Control input 0-10 V or PWM, electrically isolated
	3	10 V / max. 1,1 mA	red	Voltage output 10 VDC 1.1 mA, electrically isolated, short-circuit-proof
	4	Tacho	white	Tach output: Open collector, 1 pulse per revolution, electrically isolated

Charts: Air flow 50 Hz



Measurement: LU-135394-1
 Measurement: LU-135396-1
 Measurement: LU-135397-1
 Measurement: LU-135399-1

Air performance measured as per ISO 5801 Installation category A. For detailed information on the measuring set-up, please contact ebmpapst. Suction-side noise levels: LwA measured as per ISO 13347 / LpA measured with 1m distance to fan axis. The values given are valid under the measuring conditions mentioned above and may vary according to the actual installation situation. With any deviation from the standard set-up, the specific values have to be checked and reviewed with the unit installed.

Measured values

	U	f	n	P _{ed}	I	LpA _{in}	LwA _{in}	q _v	p _{fs}	q _v	p _{fs}
	V	Hz	min ⁻¹	W	A	dB(A)	dB(A)	m ³ /h	Pa	cfm	inH ₂ O
1	230	50	2770	84	0.70	64	71	315	0	185	0.00
2	230	50	3120	81	0.68	64	72	270	200	160	0.80
3	230	50	3365	71	0.60	63	72	215	400	125	1.61
4	230	50	3665	58	0.52	65	73	150	540	90	2.17
5	230	50	2535	60	0.52			285	0	165	0.00
6	230	50	2705	52	0.47			235	150	135	0.60
7	230	50	2880	43	0.42			180	285	105	1.14
8	230	50	3070	34	0.35			125	375	75	1.51
9	230	50	2030	31	0.31			220	0	130	0.00
10	230	50	2140	26	0.27			180	90	105	0.36
11	230	50	2240	22	0.23			140	170	80	0.68
12	230	50	2370	17	0.19			95	215	55	0.86
13	230	50	1420	13	0.16			155	0	90	0.00
14	230	50	1485	11	0.13			125	42	70	0.17
15	230	50	1540	9.4	0.12			95	76	55	0.31
16	230	50	1605	7.8	0.11			65	94	35	0.38

U = Supply voltage · f = Frequency · n = Speed (rpm) · P_{ed} = Power input · I = Current draw · LpA_{in} = Sound pressure level inlet side · LwA_{in} = Sound power level inlet side · q_v = Air flow
 p_{fs} = Pressure increase

