

# EC centrifugal fan

forward curved

R3G120-AB27-32 ebmpapst Datasheet

[sales@fansco.com](mailto:sales@fansco.com)

[www.fansco.com](http://www.fansco.com)

Limited partnership · Headquarters Muldingen  
County court Stuttgart · HRA 590344

General partner Elektrobau Muldingen GmbH · Headquarters Muldingen  
County court Stuttgart · HRB 590142

## Nominal data

Type	R3G120-AB27-32	
Motor	M3G055-BD	
Phase		1~
Nominal voltage	VAC	230
Frequency	Hz	50/60
Type of data definition		ml
Speed (rpm)	min <sup>-1</sup>	3000
Power input	W	75
Current draw	A	0.65
Min. ambient temperature	°C	-25
Max. ambient temperature	°C	40

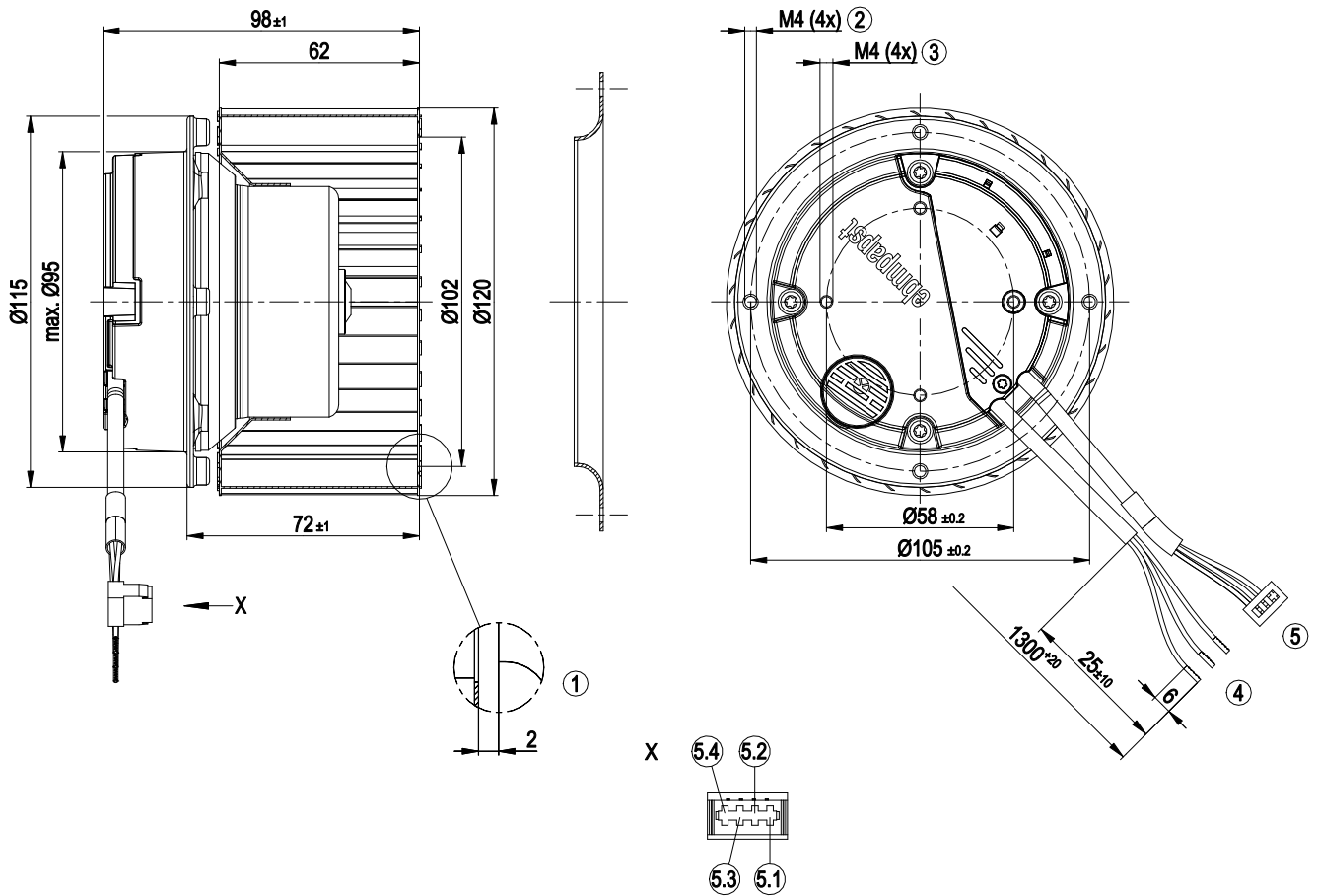
ml = Max. load · me = Max. efficiency · fa = Running at free air · cs = Customer specs · cu = Customer unit  
Subject to alterations



## Technical features

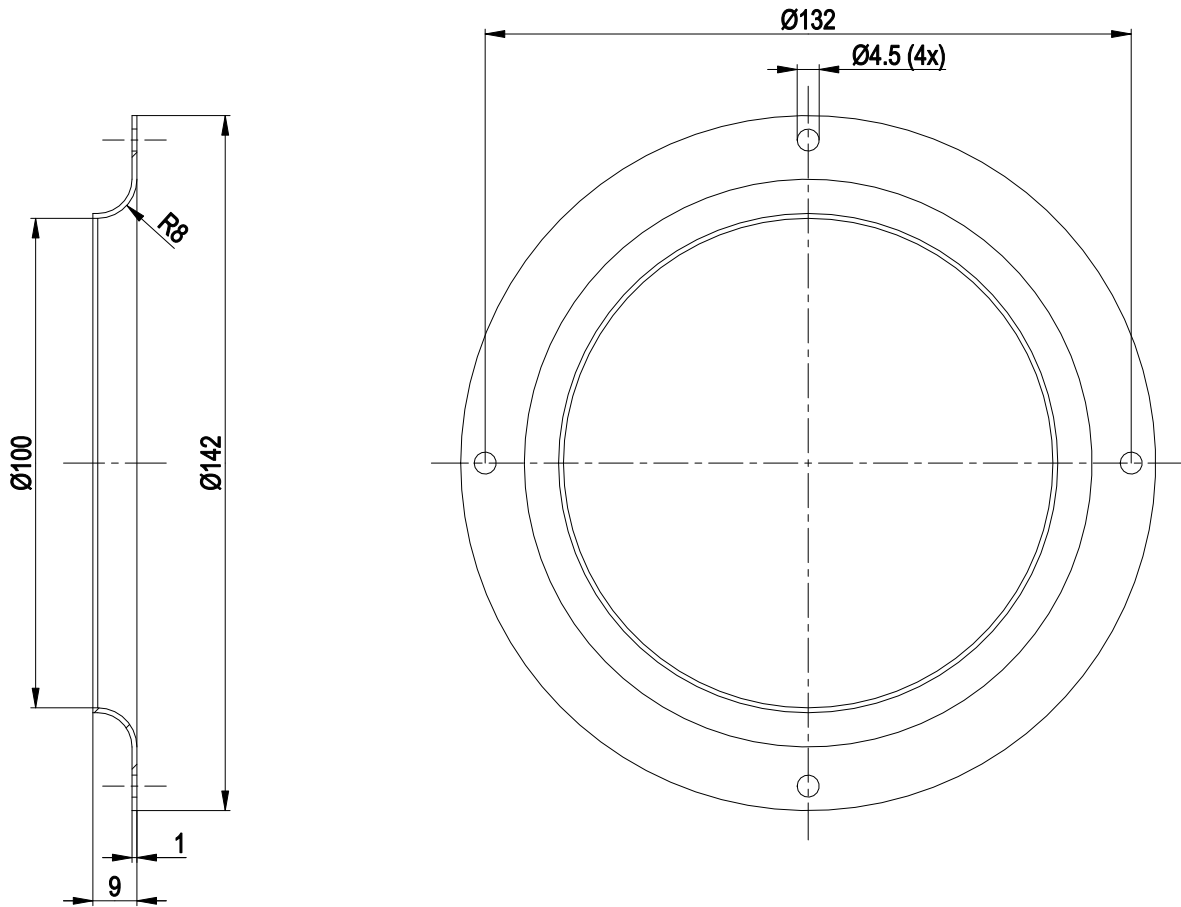
Mass	1.1 kg
Size	120 mm
Surface of rotor	Thick layer passivated
Material of impeller	Sheet steel, galvanised
Direction of rotation	Clockwise, seen on rotor
Type of protection	IP 44
Insulation class	"B"
Humidity (F)/environmental protection class (H)	F3-1
Max. permissible ambient motor temp. (transp./ storage)	+ 80 °C
Min. permissible ambient motor temp. (transp./storage)	- 40 °C
Mounting position	Any
Condensate discharge holes	Rotor-side
Operation mode	S1
Motor bearing	Ball bearing
Technical features	<ul style="list-style-type: none"> <li>- Tach output</li> <li>- Output limit</li> <li>- Motor current limit</li> <li>- Soft start</li> <li>- Set value input Lin 0-10 VDC / PWM (1.7 V corresponds to V=min, 10 V corresponds to V=max)</li> <li>- Control interface with SELV potential safely disconnected from the mains</li> <li>- Over-temperature protected motor</li> </ul>
EMC interference immunity	Acc. to EN 61000-6-2 (industrial environment)
EMC harmonics	Acc. to EN 61000-3-2/3
EMC interference emission	Acc. to EN 61000-6-3 (household environment)
Touch current acc. IEC 60990 (measuring network Fig. 4, TN system)	<= 3.5 mA
Motor protection	Thermal overload protector (TOP) wired internally
Cable exit	Variable
Protection class	I (if protective earth is connected by customer)
Product conforming to standard	EN 60335-1; CE

## Product drawing



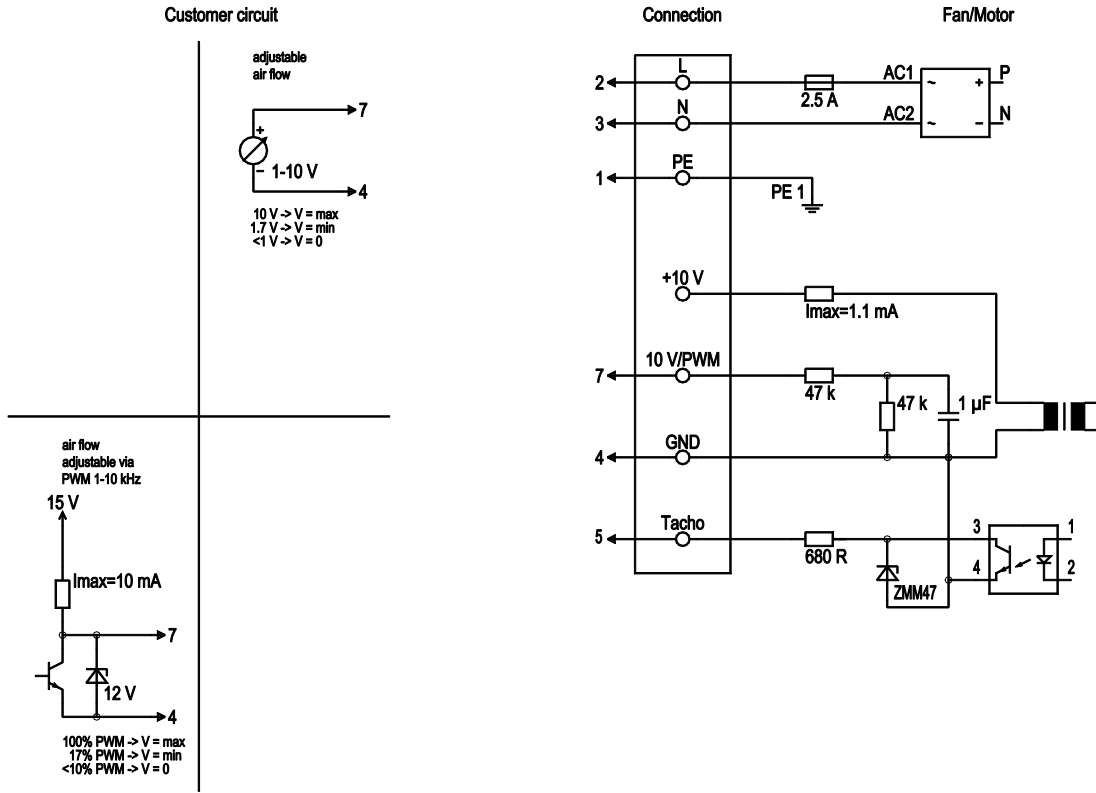
1	Accessory part: Inlet nozzle 09569-2-4013 not included in scope of delivery
2	Thread reach max. 6 mm
3	Thread reach max. 6 mm
4	Connection line PVC 3G 0.5 mm <sup>2</sup> , 3x lead tips crimped
5	Connection line PVC 3X 0.25 mm <sup>2</sup> , Lumberg 4-pole connector 3512 04 K13
5.1	GND (blue)
5.2	0-10 V/PWM (yellow)
5.3	Tacho (white)
5.4	not used

## Accessory part



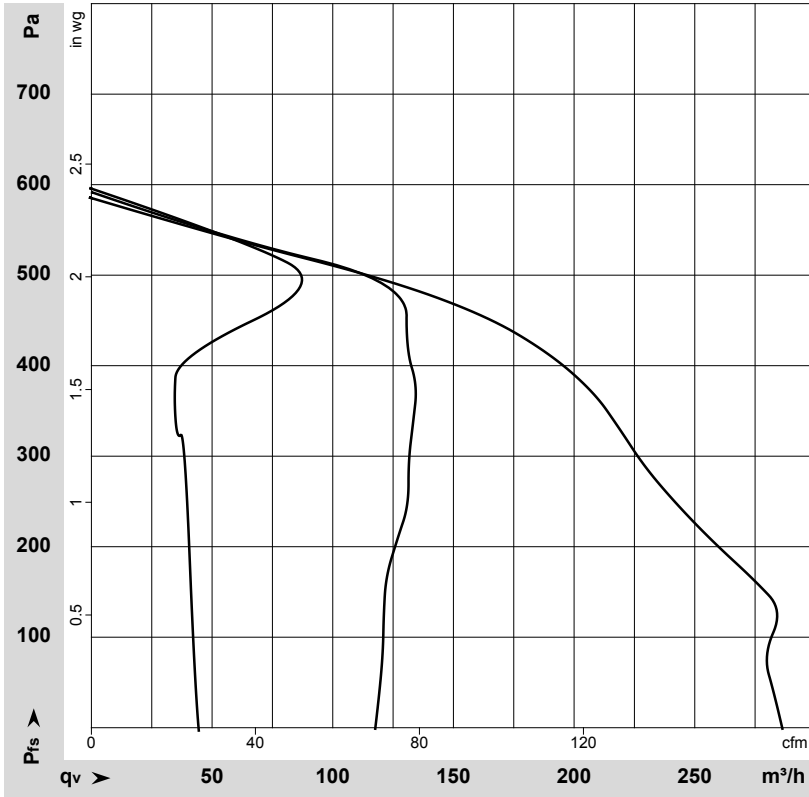
1 Accessory part: Inlet nozzle 09569-2-4013 not included in scope of delivery

## Connection screen



No.	Conn.	Designation	Colour	Function / assignment
	2	L	brown	Power supply 230 VAC, 50-60 Hz, see type plate for voltage range
	3	N	blue	Neutral conductor
	1	PE	green/yellow	Protective earth
	7	0-10 V PWM	yellow	Control input 0-10 V or PWM, electrically isolated
	5	Tach	white	Tach output: Open collector, 1 pulse per revolution, electrically isolated
	4	GND	blue	GND connection for control interface

Charts: Air flow 50 Hz



$\rho = 1.15 \text{ kg/m}^3 \pm 2 \%$

Measurement: LU-178100-1

Air performance measured as per ISO 5801 Installation category A. For detailed information on the measuring set-up, please contact ebmpapst. Suction-side noise levels: LwA measured as per ISO 13347 / LpA measured with 1m distance to fan axis. The values given are valid under the measuring conditions mentioned above and may vary according to the actual installation situation. With any deviation from the standard set-up, the specific values have to be checked and reviewed with the unit installed.

