

R3G120-AB19-19

Zehnder Group Zwolle B.V.

EC centrifugal fan

forward-curved, single-intake

R3G120-AB19-19 ebmpapst Datasheet

sales@fansco.com

www.fansco.com

Limited partnership · Headquarters Mulfingen

Amtsgericht (court of registration) Stuttgart · HRA 590344

General partner Elektrobau Mulfingen GmbH · Headquarters Mulfingen

Amtsgericht (court of registration) Stuttgart · HRB 590142

Nominal data

Type	R3G120-AB19-19	
Motor	M3G055-BD	
Phase		1~
Nominal voltage	VAC	230
Frequency	Hz	50/60
Method of obtaining data		ml
Speed (rpm)	min ⁻¹	2750
Power consumption	W	37
Current draw	A	0.3
Min. ambient temperature	°C	-25
Max. ambient temperature	°C	60

ml = Max. load · me = Max. efficiency · fa = Free air · cs = Customer specification · ce = Customer equipment
Subject to change



R3G120-AB19-19

Zehnder Group Zwolle B.V.

EC centrifugal fan

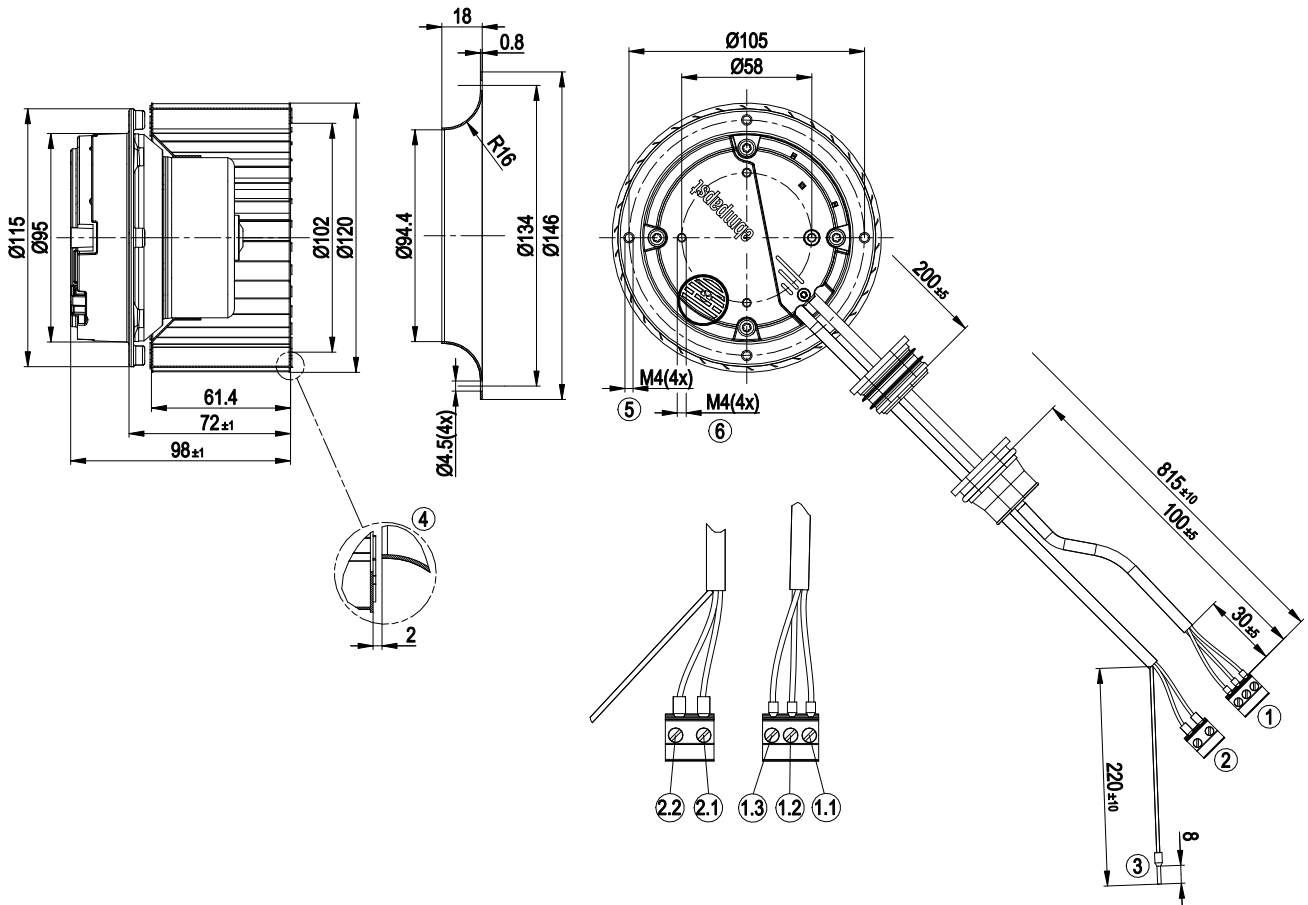
forward-curved, single-intake

Technical description

Weight	1.2 kg
Size	120 mm
Motor size	55
Impeller material	Sheet steel, galvanized
Direction of rotation	Clockwise, viewed toward rotor
Degree of protection	IP44
Insulation class	"B"
Moisture (F) / Environmental (H) protection class	H1
Max. permitted ambient temp. for motor (transport/ storage)	+ 80 °C
Min. permitted ambient temp. for motor (transport/ storage)	- 40 °C
Installation position	Any
Condensation drainage holes	On rotor side
Mode	S1
Motor bearing	Ball bearing
Technical features	<ul style="list-style-type: none">- Output 10 VDC, max. 10 mA- Tach output- Power limiter- Motor current limitation- Soft start- Set value input Lin 0-10 VDC / PWM (1.7 V corresponds to V=min, 10 V corresponds to V=max)- Control interface with SELV potential safely disconnected from the mains- Overvoltage detection- Thermal overload protection for motor
Touch current according to IEC 60990 (measuring circuit Fig. 4, TN system)	≤ 3.5 mA
Electrical hookup	Connector with cable
Motor protection	Thermal overload protector (TOP) internally connected
With cable	Variable
Protection class	I (with customer connection of protective earth)
Conformity with standards	EN 60335-1
Approval	EAC

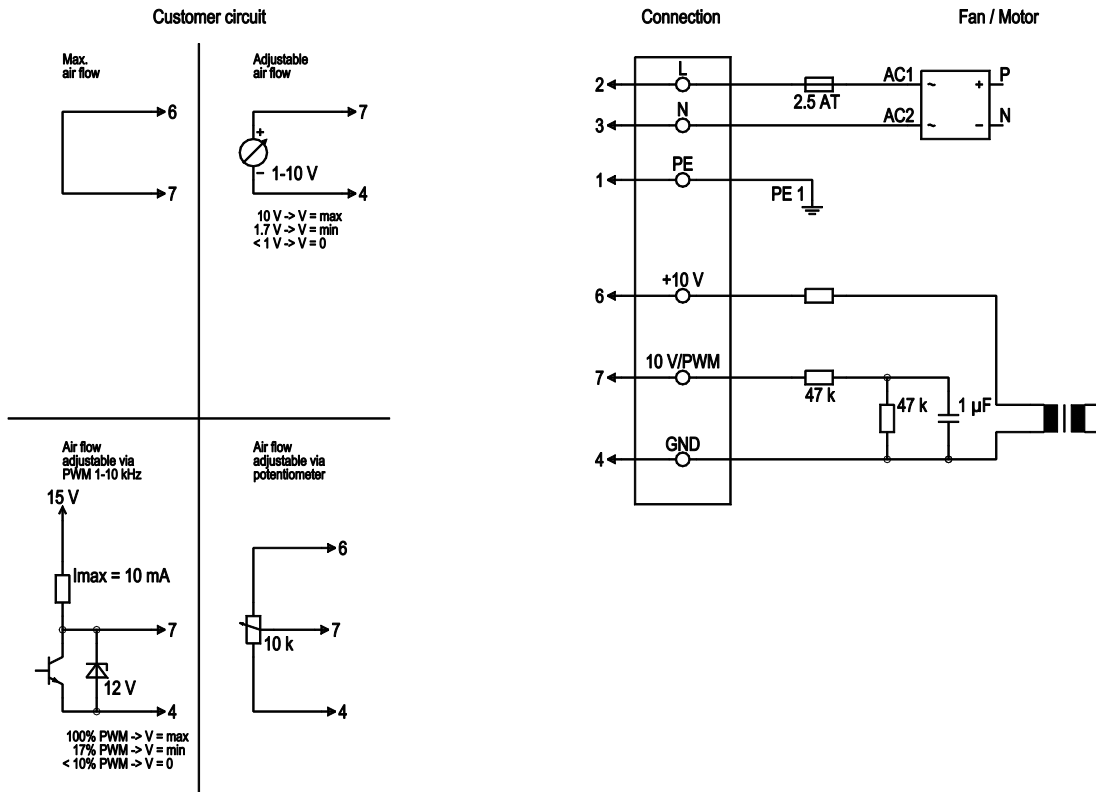


Product drawing



1	Cable with connector housing Phönix MVSTBR 2.5/3-ST and 3x wire-end ferrule with plastic collar
1.1	white
1.2	yellow
1.3	blue
2	Cable with connector housing Phönix GMVSTBR 2.5/2-ST and 2x wire-end ferrule with plastic collar
2.1	blue
2.2	brown
3	Wire, 1x wire-end ferrule with plastic collar
4	Accessory part: Inlet ring 96120-2-4013, not included in scope of delivery
5	Max. clearance for screw 6 mm
6	Max. clearance for screw 6 mm

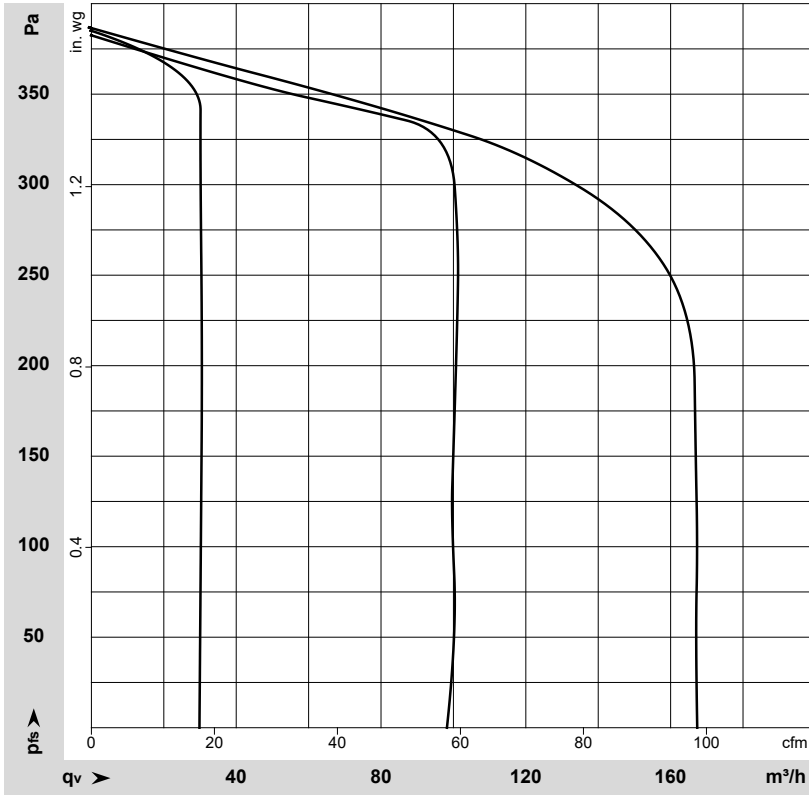
Connection diagram



No.	Conn.	Designation	Color	Function/assignment
	2	L	brown	Power supply 230 VAC, 50-60 Hz, see nameplate for voltage range
	3	N	blue	Neutral conductor
	1	PE	green/yellow	Protective earth
	7	0-10 V PWM	yellow	Control input 0-10 V or PWM, electrically isolated
	6	10V	red	Voltage output 10 V, 10 mA, electrically isolated, not short-circuit-proof
	4	GND	blue	GND connection for control interface



Curves: Air performance 50 Hz



$\rho = 1.15 \text{ kg/m}^3 \pm 2 \%$

Measurement: LU-72587-1
 Measurement: LU-72588-1
 Measurement: LU-72589-1

Air performance measured according to ISO 5801 installation category A. For detailed information on the measurement setup, contact ebm-papst. Intake sound level: Sound power level according to ISO 13347 / sound pressure level measured at 1 m distance from fan axis. The values given are valid under the specified measuring conditions and may vary due to conditions of installation. For deviations from the standard configuration, the parameters have to be checked on the installed unit.

