

R3G120-AB03-17

EC centrifugal fan

forward curved, single inlet



R3G120-AB03-17 ebmpapst Datasheet

sales@fansco.com

www.fansco.com

Limited partnership · Headquarters Muldingen
County court Stuttgart · HRA 590344

General partner Elektrobau Muldingen GmbH · Headquarters Muldingen
County court Stuttgart · HRB 590142

Nominal data

Type	R3G120-AB03-17	
Motor	M3G055-BD	
Phase		1~
Nominal voltage	VAC	230
Frequency	Hz	50/60
Type of data definition		fa
Speed	min ⁻¹	2200
Power input	W	41
Current draw	A	0.3
Min. ambient temperature	°C	-25
Max. ambient temperature	°C	60

ml = Max. load · me = Max. efficiency · fa = Running at free air · cs = Customer specs · cu = Customer unit
Subject to alterations



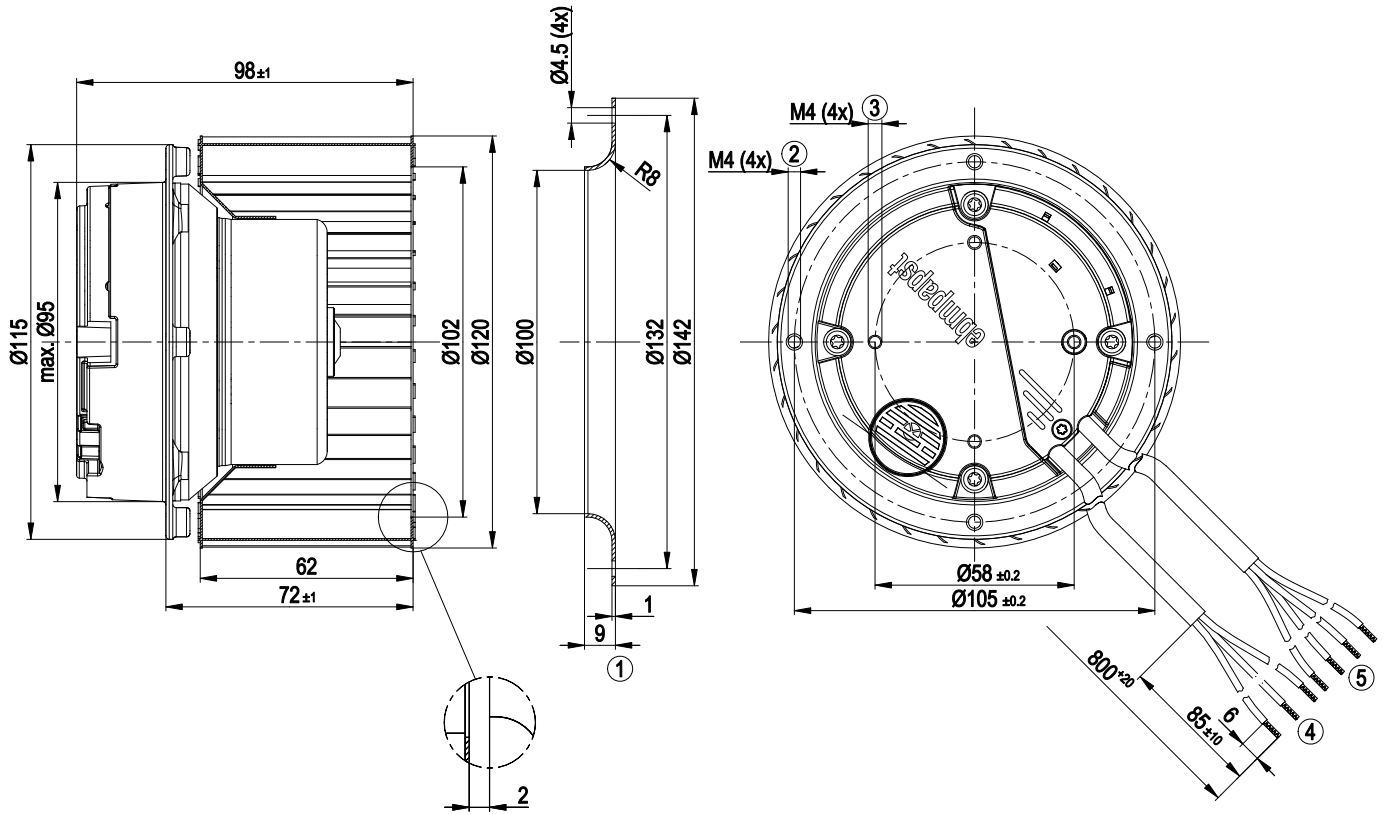
Technical features

Mass	1.1 kg
Size	120 mm
Surface of rotor	Thick layer passivated
Material of electronics housing	Die-cast aluminium
Material of impeller	Sheet steel, galvanised
Direction of rotation	Clockwise, seen on rotor
Type of protection	IP 44
Insulation class	"B"
Humidity class	F3-1
Max. permissible ambient motor temp. (transp./ storage)	+ 80 °C
Min. permissible ambient motor temp. (transp./storage)	- 40 °C
Mounting position	Any
Condensate discharge holes	Rotor-side
Operation mode	S1
Motor bearing	Ball bearing
Technical features	<ul style="list-style-type: none"> - Output 10 VDC, max. 1.1 mA - Tach output - Motor current limit - Soft start - Control input 0-10 VDC / PWM - Control interface with SELV potential safely disconnected from the mains - Over-temperature protected motor
EMC interference immunity	Acc. to EN 61000-6-2 (industrial environment)
EMC harmonics	Acc. to EN 61000-3-2/3
EMC interference emission	Acc. to EN 61000-6-3 (household environment)
Touch current acc. IEC 60990 (measuring network Fig. 4, TN system)	<= 3.5 mA
Motor protection	Thermal overload protector (TOP) wired internally
Cable exit	Variable
Protection class	I (if protective earth is connected by customer)
Product conforming to standard	EN 60335-1
Approval	EAC

EC centrifugal fan

forward curved, single inlet

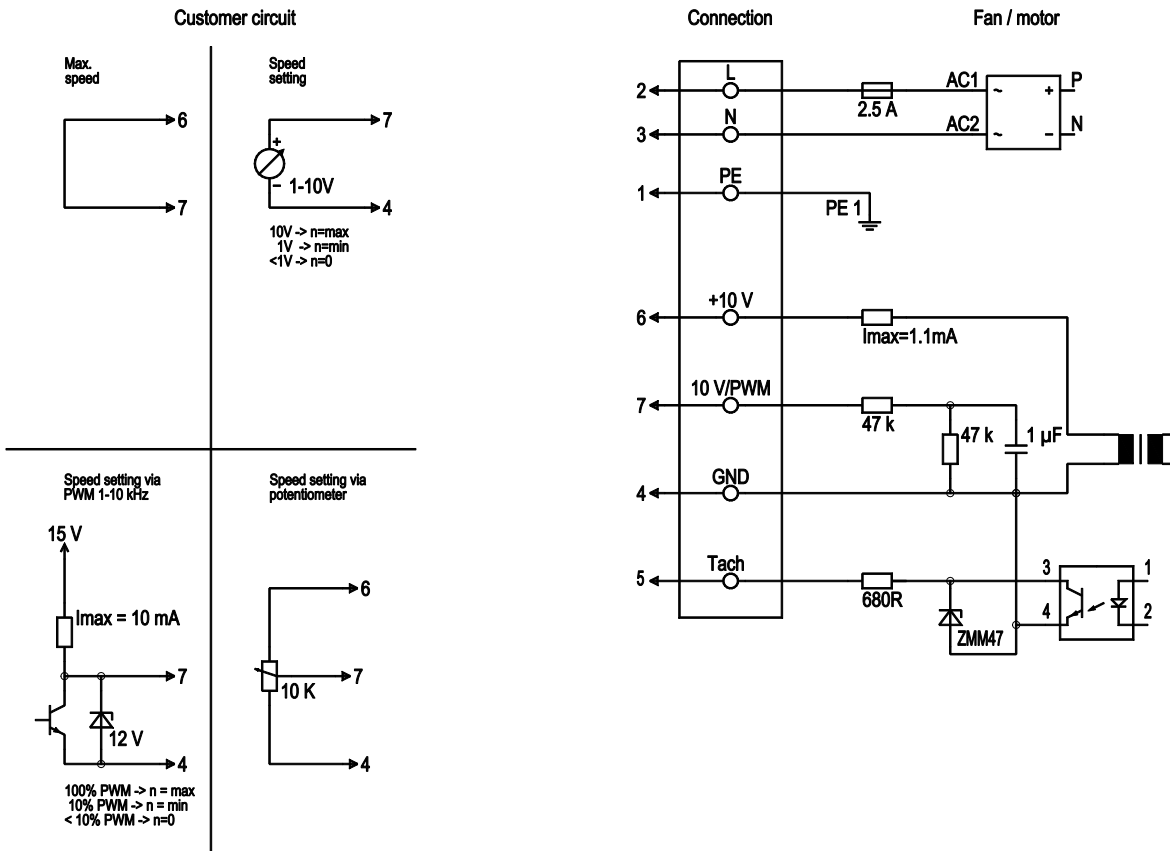
Product drawing



1	Accessory part: Inlet nozzle 09569-2-4013, not included in the standard scope of delivery
2	Depth of screw max. 6 mm
3	Depth of screw max. 6 mm
4	Connection line PVC 3G 0.5 mm ² , 3x brass lead tips crimped
5	Connection line PVC 4x 0.25 mm ² ; 4 x brass lead tips crimped



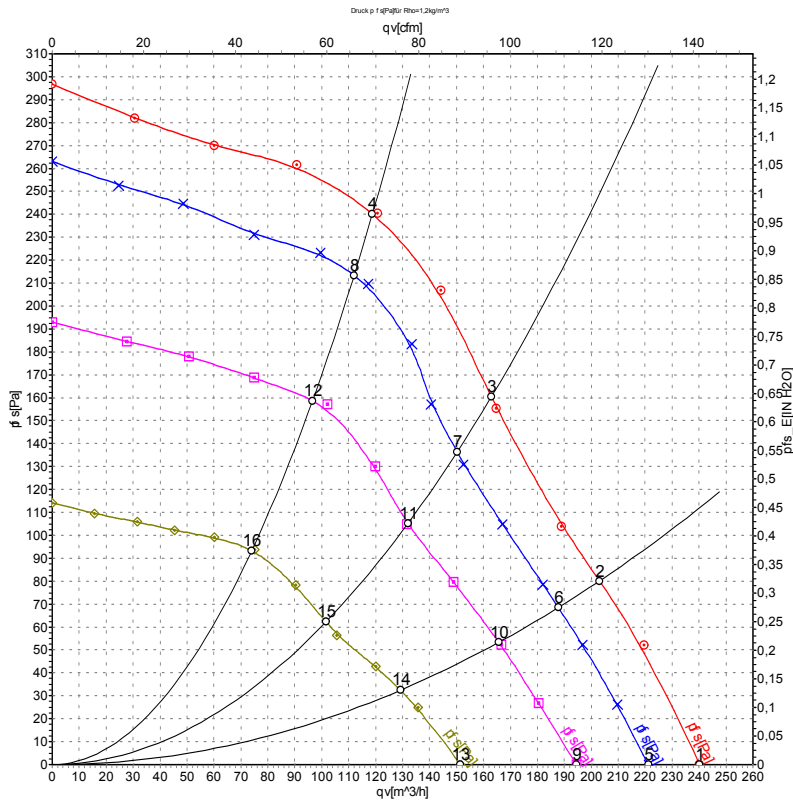
Connection screen



No.	Conn.	Designation	Colour	Function / assignment
	2	L	brown	Power supply 230 VAC, 50-60 Hz, see type plate for voltage range
	3	N	blue	Neutral conductor
	1	PE	green/yellow	Protective earth
	7	0-10 V PWM	yellow	Control input 0 - 10 V or PWM, electrically isolated
	5	Tach	white	Tach output: Open Collector, 1 pulse per revolution, electrically isolated
	6	10V / max. 1.1 mA	red	Voltage output 10V / 1.1mA, electrically isolated, not short-circuit-proof
	4	GND	blue	GND - Connection for control interface



Charts: Air flow 50 Hz



Air performance measured as per ISO 5801 Installation category A. For detailed information on the measuring set-up, please contact ebmpapst. Suction-side noise levels: LwA measured as per ISO 13347 / LpA measured with 1m distance to fan axis. The values given are valid under the measuring conditions mentioned above and may vary according to the actual installation situation. With any deviation from the standard set-up, the specific values have to be checked and reviewed with the unit installed.

Measured values

	U	f	n	P _{ed}	I	qv	P _{fs}
	V	Hz	min ⁻¹	W	A	m ³ /h	Pa
1	230	50	2200	41	0.30	240	0
2	230	50	2280	36	0.27	205	80
3	230	50	2410	30	0.23	165	160
4	230	50	2525	24	0.19	120	240
5	230	50	2060	34	0.26	220	0
6	230	50	2160	30	0.22	190	68
7	230	50	2250	25	0.20	150	136
8	230	50	2375	21	0.16	110	214
9	230	50	1830	24	0.19	195	0
10	230	50	1905	21	0.16	165	54
11	230	50	1990	18	0.14	130	104
12	230	50	2065	15	0.12	95	160
13	230	50	1435	13	0.11	150	0
14	230	50	1485	12	0.10	130	32
15	230	50	1545	11	0.09	100	62
16	230	50	1595	9.3	0.08	75	94

U = Supply voltage · f = Frequency · n = Speed · P_{ed} = Power input · I = Current draw · qv = Air flow · P_{fs} = Pressure increase

