

R2E250-AV62-05

AC centrifugal fan

backward curved, single inlet



R2E250-AV62-05 ebmpapst Datasheet

sales@fansco.com

www.fansco.com

Limited partnership · Headquarters Muldingen
County court Stuttgart · HRA 590344

General partner Elektrobau Muldingen GmbH · Headquarters Muldingen
County court Stuttgart · HRB 590142

Nominal data

Type	R2E250-AV62-05		
Motor	M2E068-DF		
Phase		1~	1~
Nominal voltage	VAC	230	230
Frequency	Hz	50	60
Type of data definition		fa	fa
Speed	min ⁻¹	2650	2950
Power input	W	175	230
Current draw	A	0.82	1.02
Motor capacitor	µF	4	4
Capacitor voltage	VDB	600	600
Capacitor standard		P2	P2

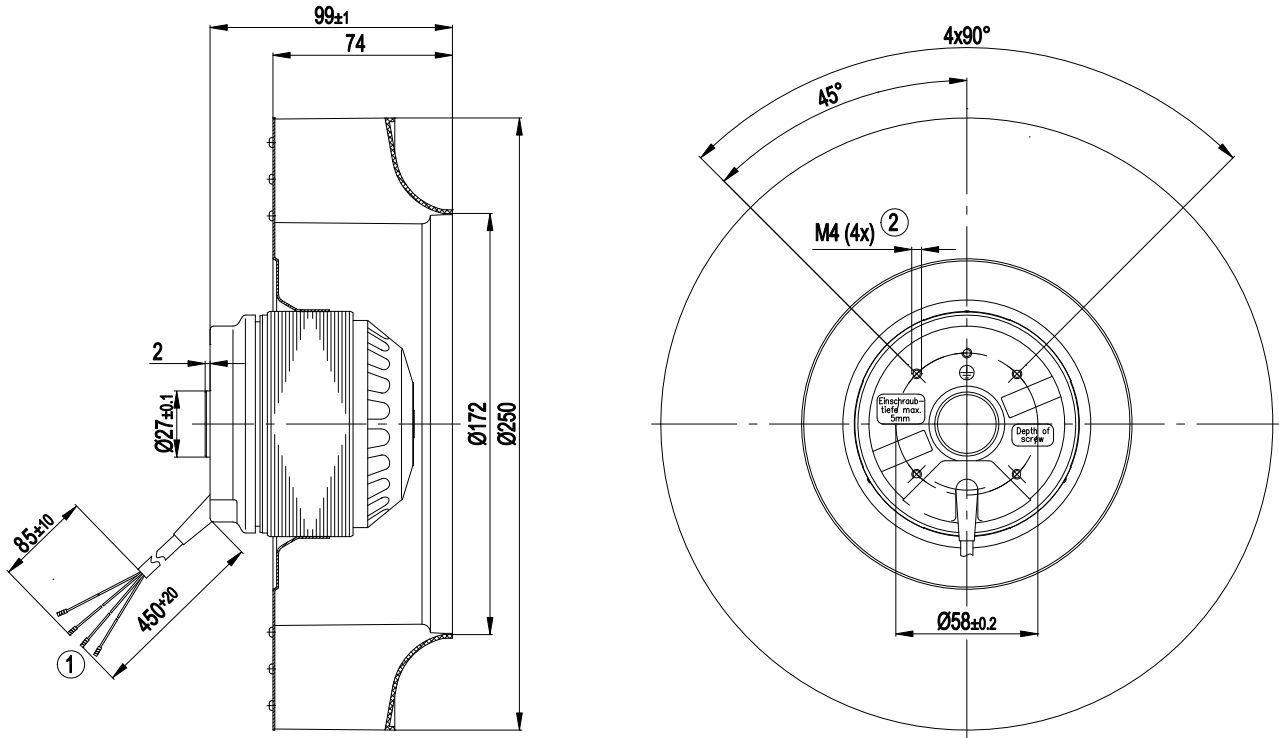
ml = Max. load · me = Max. efficiency · fa = Running at free air · cs = Customer specs · cu = Customer unit
Subject to alterations



Technical features

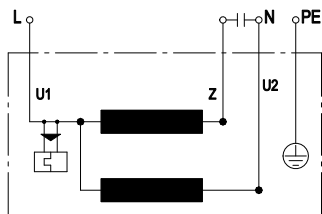
Mass	2.45 kg
Size	250 mm
Surface of rotor	Coated in black
Material of impeller	PA plastic, black
Number of blades	11
Direction of rotation	Clockwise, seen on rotor
Type of protection	IP 44
Insulation class	"B"
Max. permissible ambient motor temp. (transp./ storage)	+ 80 °C
Min. permissible ambient motor temp. (transp./storage)	- 40 °C
Mounting position	Shaft horizontal or rotor on bottom; rotor on top on request
Condensate discharge holes	Rotor-side
Operation mode	S1
Motor bearing	Ball bearing
Motor protection	TOP
Cable exit	Variable
Protection class	I (if protective earth is connected by customer)
Approval	CCC

Product drawing



- 1 Connection line silicone 4G 0.5 mm², 4 x brass lead tips crimped
- 2 Depth of screw max. 5 mm

Connection screen



U1	blue	Z	brown	U2	black
PE	green/yellow				



Charts: Air flow 50/60 Hz

Line	Idno	Type	Idx.	U [V]	f [Hz]	C [uF]	Ust [V]	Layout	Inst. cat.	Motor typ	Rho amb	Remark
●—●	172545	R2E250AV6205	01D	230	60	4			A	M2E068DF	1,13	
×—×	172542	R2E250AV6205	01B	230	50	4			A	M2E068DF	1,13	

