

R2E250-AP07-11 ebmpapst Datasheet

sales@fansco.com

www.fansco.com

Nominal data

Type	R2E250-AP07-11	
Motor	M2E074-EI	
Phase		1~
Nominal voltage	VAC	115
Frequency	Hz	60
Method of obtaining data		fa
Valid for approval/standard		-
Speed (rpm)	min ⁻¹	3100
Power consumption	W	330
Current draw	A	2.9
Capacitor	μF	20
Capacitor voltage	VDB	250
Capacitor standard		S2 (CE)
Min. back pressure	Pa	0
Min. back pressure	in. wg	0
Min. ambient temperature	°C	-25
Max. ambient temperature	°C	45

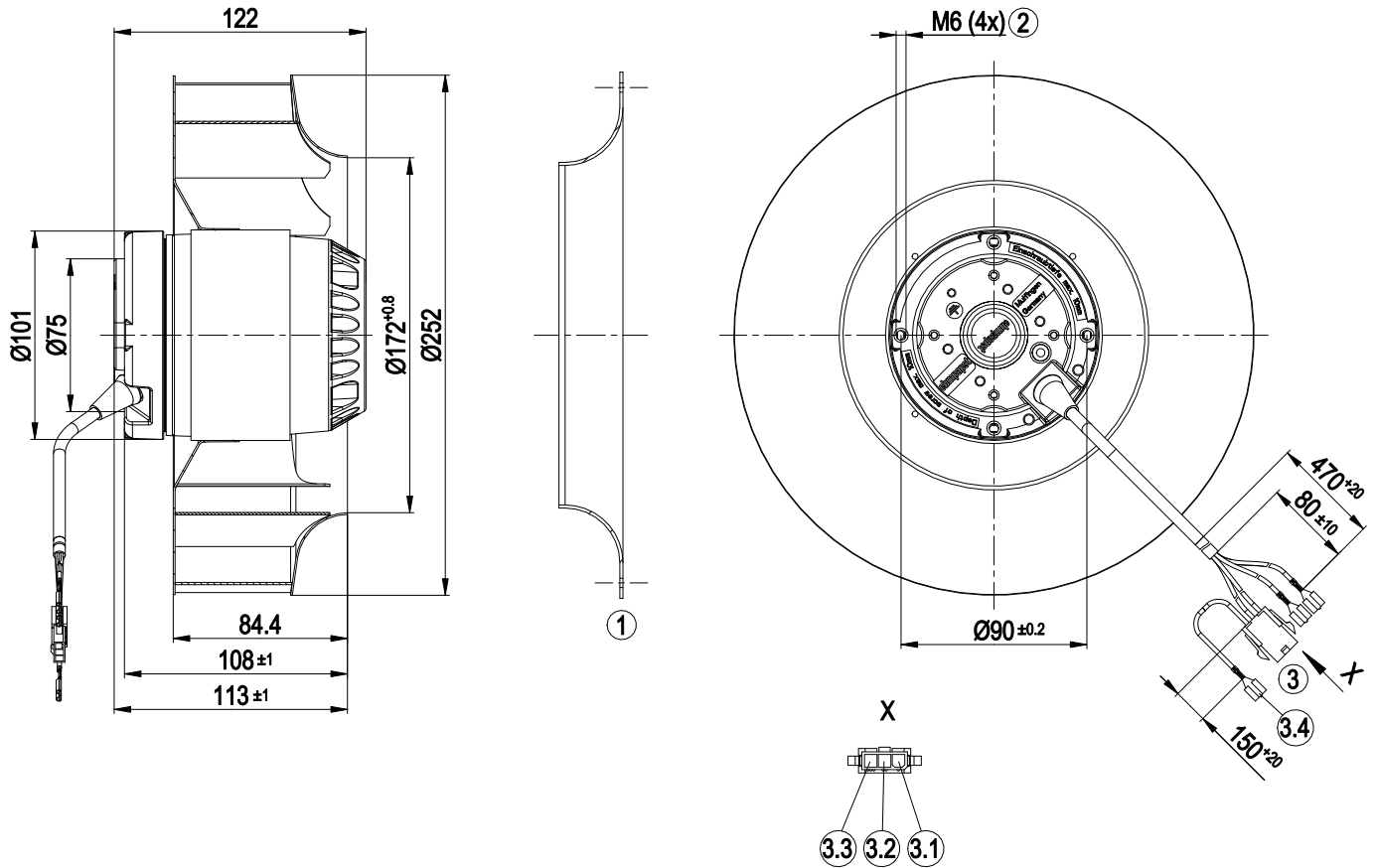
ml = Max. load · me = Max. efficiency · fa = Free air · cs = Customer specification · ce = Customer equipment
Subject to change



Technical description

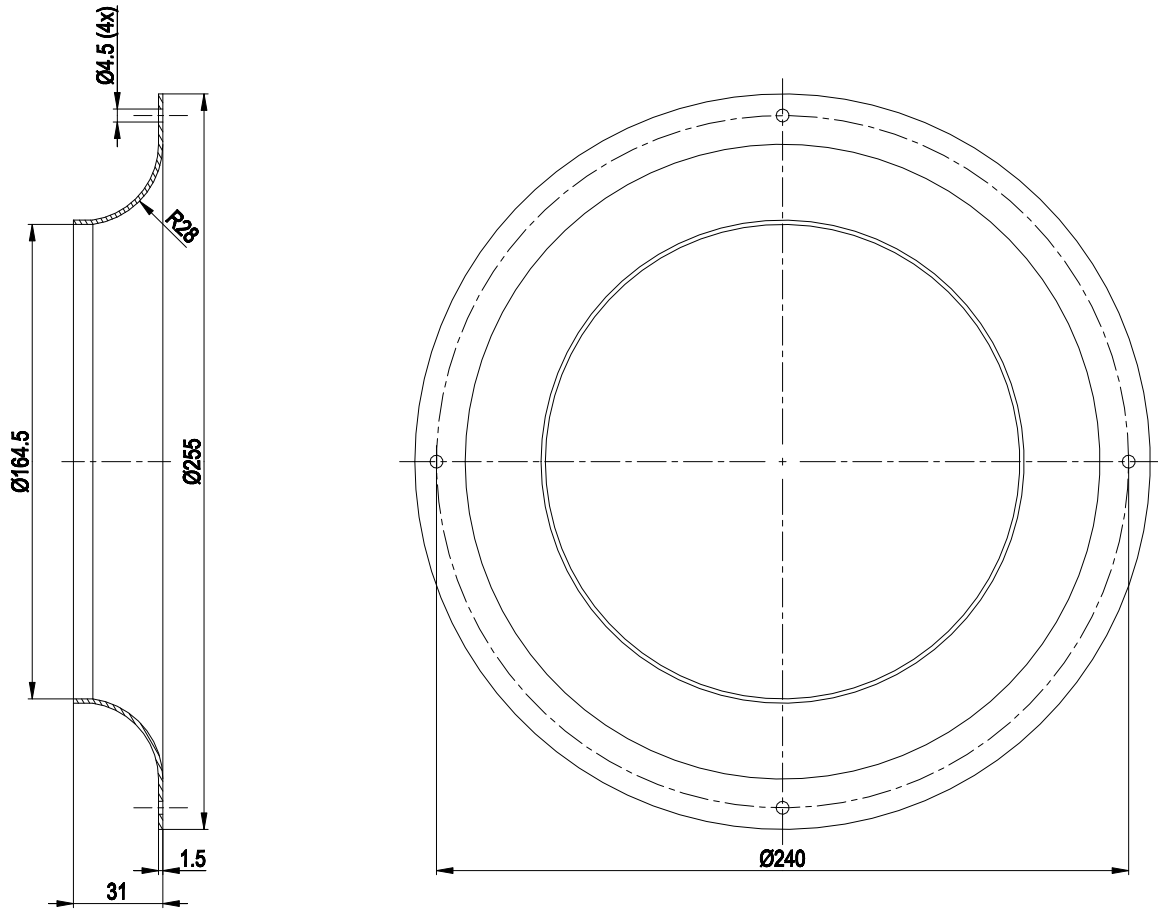
Weight	4.4 kg
Size	250 mm
Motor size	74
Rotor surface	Painted black
Impeller material	Sheet steel, painted black
Number of blades	11
Direction of rotation	Clockwise, viewed toward rotor
Degree of protection	IP44; installation- and position-dependent
Insulation class	"F"
Moisture (F) / Environmental (H) protection class	H1+
Max. permitted ambient temp. for motor (transport/storage)	+80 °C
Min. permitted ambient temp. for motor (transport/storage)	-40 °C
Installation position	Any
Condensation drainage holes	None
Mode	S1
Motor bearing	Ball bearing
Touch current according to IEC 60990 (measuring circuit Fig. 4, TN system)	< 0.75 mA
Electrical hookup	Connector with cable
Motor protection	Thermal overload protector (TOP) internally connected
With cable	Variable
Protection class	I (with customer connection of protective earth)
Conformity with standards	EN 60034-1; EN 60204-1; EN 60335-1
Comment on CE	Commissioning not permitted in the European Economic Area
Approval	UL 1004-1; CSA C22.2 No. 100

Product drawing



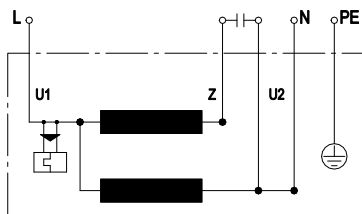
1	Accessory part: Inlet ring 96359-2-4013, not included in scope of delivery
2	Max. clearance for screw 10 mm
3	Cable PFA AWG20 (green/yellow AWG18) 3-pole connector housing Molex 172646-0312, 3x plug pin Molex 39-00-0061 2x flat push-on receptacle 6.3x0.8
3.1	L (blue)
3.2	PE (green/yellow)
3.3	N (black)
3.4	Cable AWG20, 1x flat push-on receptacle 6.3x0.8

Accessory part



Accessory part: inlet ring 96359-2-4013 not included in scope of delivery

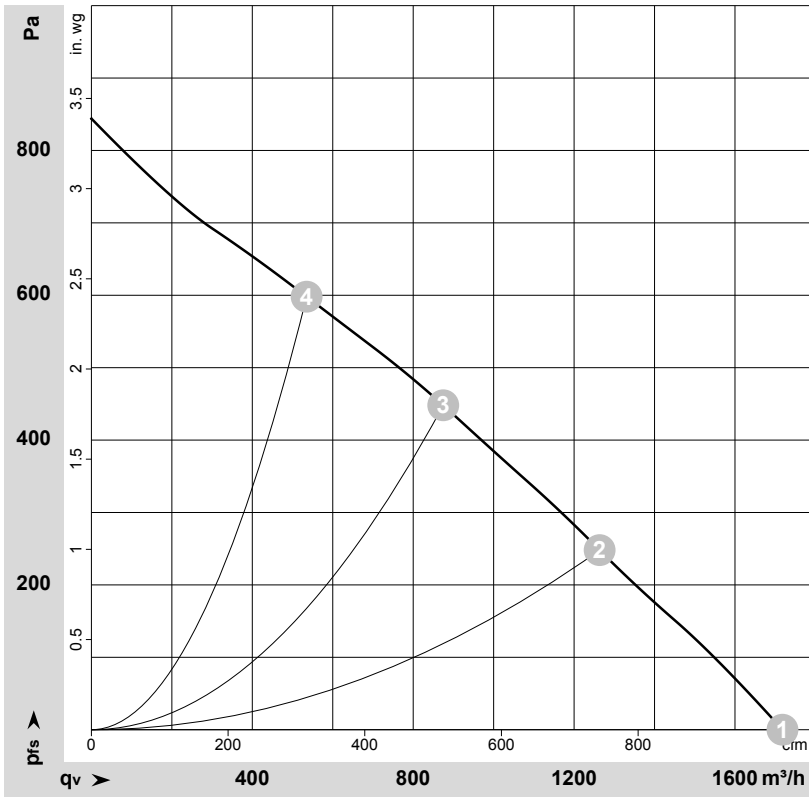
Connection diagram



L	blue	Z	brown	U2	black
N	black	PE	green/yellow		



Curves: Air performance 60 Hz



$\rho = 1.15 \text{ kg/m}^3 \pm 2 \%$

Measurement: LU-73552-1

Air performance measured according to ISO 5801 installation category A. For detailed information on the measurement setup, contact ebmpapst. Intake sound level: Sound power level according to ISO 13347 / sound pressure level measured at 1 m distance from fan axis. The values given are valid under the specified measuring conditions and may vary due to conditions of installation. For deviations from the standard configuration, the parameters have to be checked on the installed unit.

Measured values

	Wired	U	f	n	P_e	I	q_v	P_{fs}	q_v	P_{fs}
		V	Hz	min^{-1}	W	A	m^3/h	Pa	cfm	in. wg
1	1~	115	60	3100	330	2.90	1720	0	1010	0.00
2	1~	115	60	2935	366	3.19	1265	250	745	1.00
3	1~	115	60	2890	376	3.27	875	450	515	1.81
4	1~	115	60	2995	353	3.07	535	600	315	2.41

Wired = Wiring · U = Voltage · f = Frequency · n = Speed (rpm) · P_e = Power consumption · I = Current draw · q_v = Air flow · P_{fs} = Pressure increase

