

R2E250-AC09-05 ebmpapst Datasheet FansCo

sales@fansco.com

www.fansco.com

## Nominal data

Type	R2E250-AC09-05	
Motor	M2E068-GA	
Phase		1~
Nominal voltage	VAC	230
Frequency	Hz	50
Method of obtaining data		fa
Valid for approval/standard		-
Speed (rpm)	min <sup>-1</sup>	2650
Power consumption	W	265
Current draw	A	1.16
Capacitor	μF	8
Capacitor voltage	VDB	400
Capacitor standard		S2 (CE)
Min. back pressure	Pa	0
Min. back pressure	inH2O	0
Min. ambient temperature	°C	-25
Max. ambient temperature	°C	30

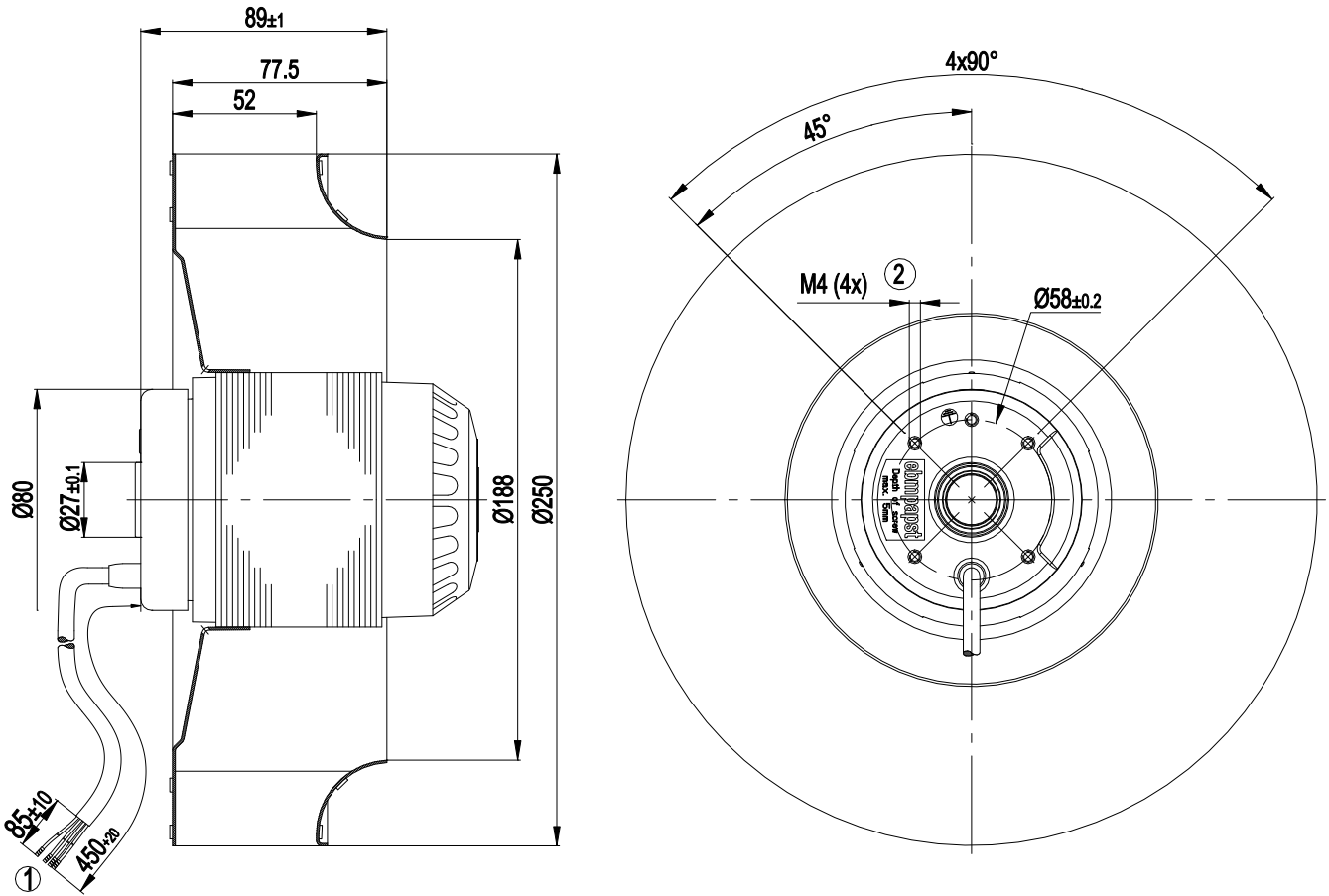
ml = Max. load · me = Max. efficiency · fa = Free air · cs = Customer specification · ce = Customer equipment  
Subject to change



### Technical description

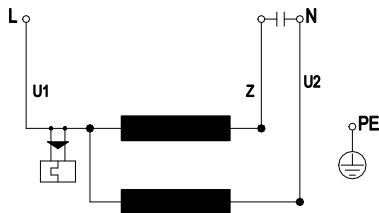
Weight	3.9 kg
Fan size	250 mm
Rotor surface	Unpainted
Impeller material	Sheet steel, hot-dip galvanized
Number of blades	16
Direction of rotation	Clockwise, viewed toward rotor
Degree of protection	IP44; installation- and position-dependent
Insulation class	"B"
Moisture (F) / Environmental (H) protection class	H0 - dry environment
Max. permitted ambient temp. for motor (transport/storage)	+ 80 °C
Min. permitted ambient temp. for motor (transport/storage)	- 40 °C
Installation position	Any
Condensation drainage holes	None
Mode	S1
Motor bearing	Ball bearing
Touch current according to IEC 60990 (measuring circuit Fig. 4, TN system)	< 0.75 mA
Motor protection	Thermal overload protector (TOP) internally connected
With cable	Axial
Protection class	I (with customer connection of protective earth)
Conformity with standards	EN 60335-1

## Product drawing



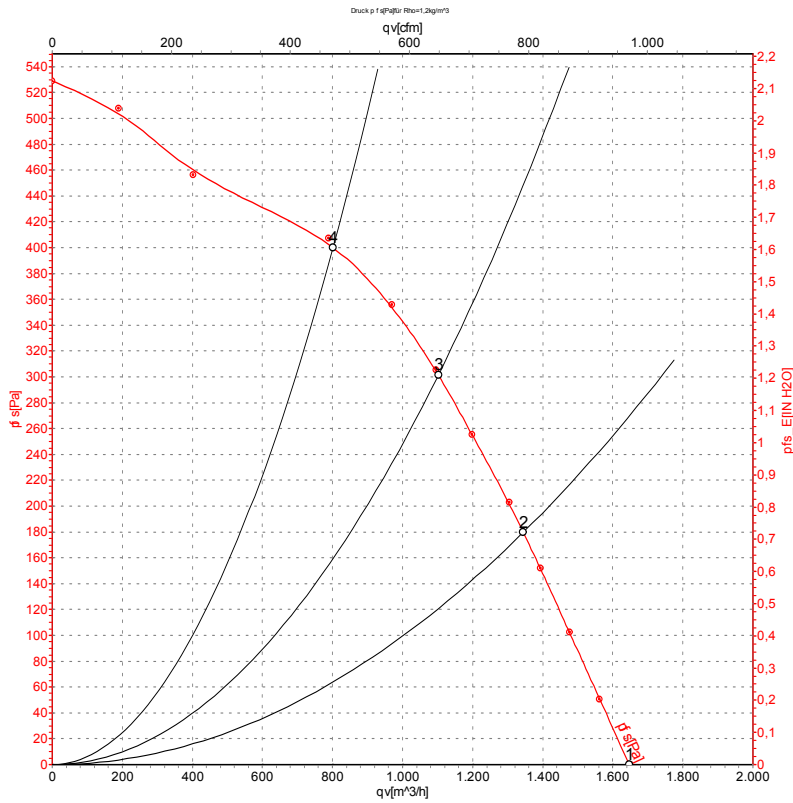
- 1 Cable PVC 4G0.5 mm<sup>2</sup>, 4x crimped splices
- 2 Max. clearance for screw 5 mm

## Connection diagram



U1	blue	Z	brown	U2	black
PE	green/yellow				

## Curves: Air performance 50 Hz



Measurement: LU-4689-1

Air performance measured according to ISO 5801 installation category A. For detailed information on the measurement setup, contact ebm-papst. Intake sound level: Sound power level according to ISO 13347 / sound pressure level measured at 1 m distance from fan axis. The values given are valid under the specified measuring conditions and may vary due to conditions of installation. For deviations from the standard configuration, the parameters have to be checked on the installed unit.

## Measured values

	U	f	n	P <sub>e</sub>	I	q <sub>v</sub>	p <sub>fs</sub>	q <sub>v</sub>	p <sub>fs</sub>
	V	Hz	min <sup>-1</sup>	W	A	m <sup>3</sup> /h	Pa	cfm	inH <sub>2</sub> O
1	230	50	2650	265	1.16	1645	0	970	0.00
2	230	50	2560	306	1.33	1345	180	790	0.72
3	230	50	2515	320	1.39	1100	300	650	1.20
4	230	50	2575	298	1.29	800	400	470	1.61

U = Power supply · f = Frequency · n = Speed (rpm) · P<sub>e</sub> = Power consumption · I = Current draw · q<sub>v</sub> = Air flow · p<sub>fs</sub> = Pressure increase

