



R2E225-RA92-20 ebmpapst Datasheet

sales@fansco.com

www.fansco.com

## Nominal data

Type	R2E225-RA92-20		
Motor	M2E068-DF		
Phase		1~	1~
Nominal voltage	VAC	230	230
Frequency	Hz	60	60
Type of data definition		ml	ml
Valid for approval / standard		CE	UL 2111
Speed	min <sup>-1</sup>	2600	2600
Power input	W	210	225
Current draw	A	0.92	0.95
Motor capacitor	μF	3.5	3.5
Capacitor voltage	VDB	450	450
Capacitor standard			UL
Min. back pressure	Pa	0	0
Min. ambient temperature	°C	-25	-25
Max. ambient temperature	°C	45	45
Starting current	A	1.2	

ml = Max. load · me = Max. efficiency · fa = Running at free air · cs = Customer specs · cu = Customer unit  
Subject to alterations

## Data according to ErP directive

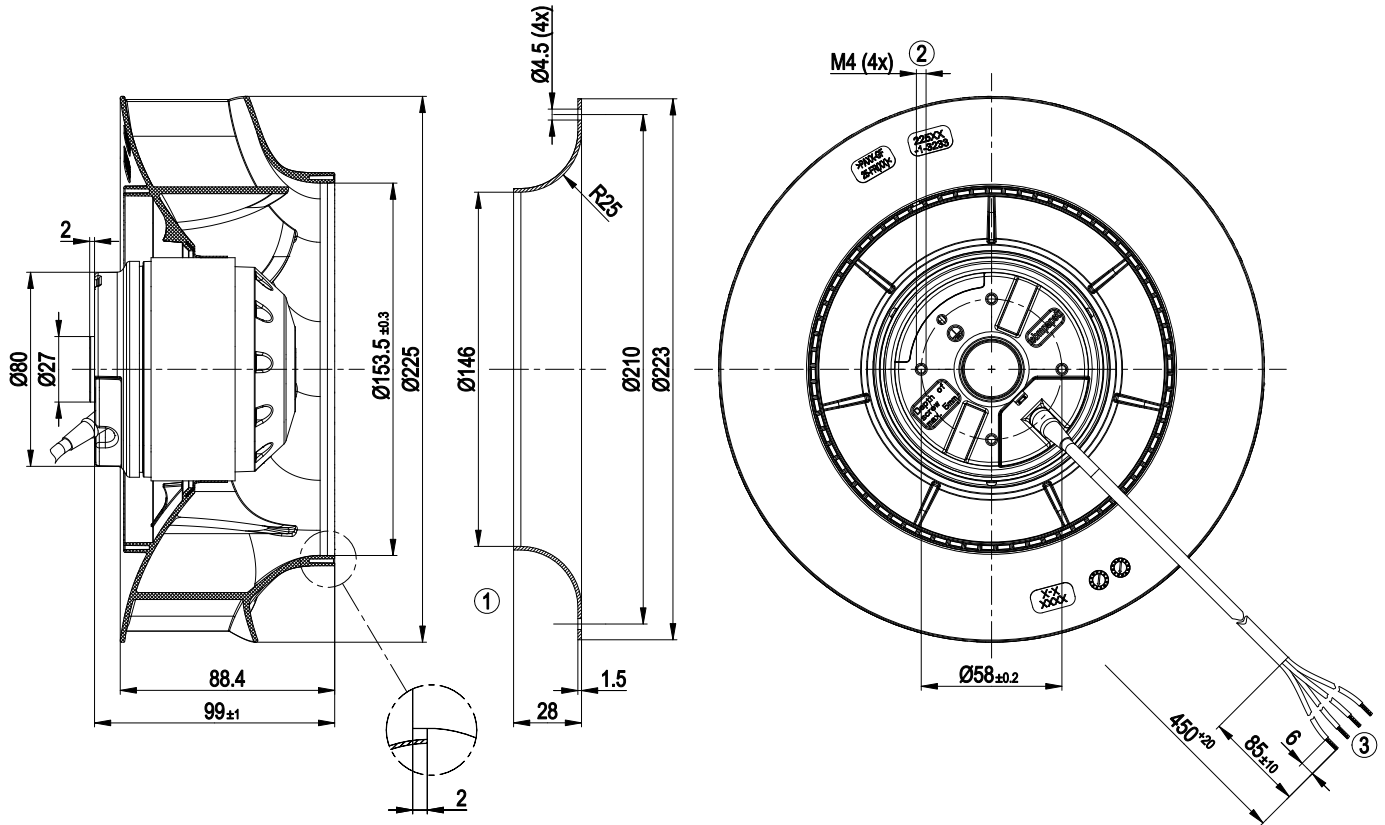
Installation category	A	Actual	Request 2013	Request 2015	
Efficiency category	Static	Overall efficiency $\eta_{es}$	42.5	38.5	42.5
Variable speed drive	No	Efficiency grade N	62	58	62
Specific ratio*	1.00	Power input $P_e$	kW	0.14	
		Air flow $q_v$	m <sup>3</sup> /h	705	
		Pressure increase $p_{fs}$	Pa	320	
		Speed n	min <sup>-1</sup>	2560	

Data definition with optimum efficiency.

## Technical features

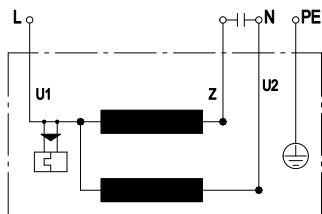
Mass	2.3 kg
Size	225 mm
Surface of rotor	Uncoated
Material of impeller	PA plastic
Number of blades	7
Direction of rotation	Clockwise, seen on rotor
Type of protection	IP 44; Depending on installation and position
Insulation class	"B"
Humidity class	F0
Max. permissible ambient motor temp. (transp./ storage)	+ 80 °C
Min. permissible ambient motor temp. (transp./storage)	- 40 °C
Mounting position	Any
Condensate discharge holes	None
Operation mode	S1
Motor bearing	Ball bearing
Touch current acc. IEC 60990 (measuring network Fig. 4, TN system)	< 0.75 mA
Motor protection	Thermal overload protector (TOP) wired internally
Cable exit	Variable
Protection class	I (if protective earth is connected by customer)
Product conforming to standard	EN 60335-1; CE
Approval	UL 2111; CSA C22.2 Nr.77

## Product drawing



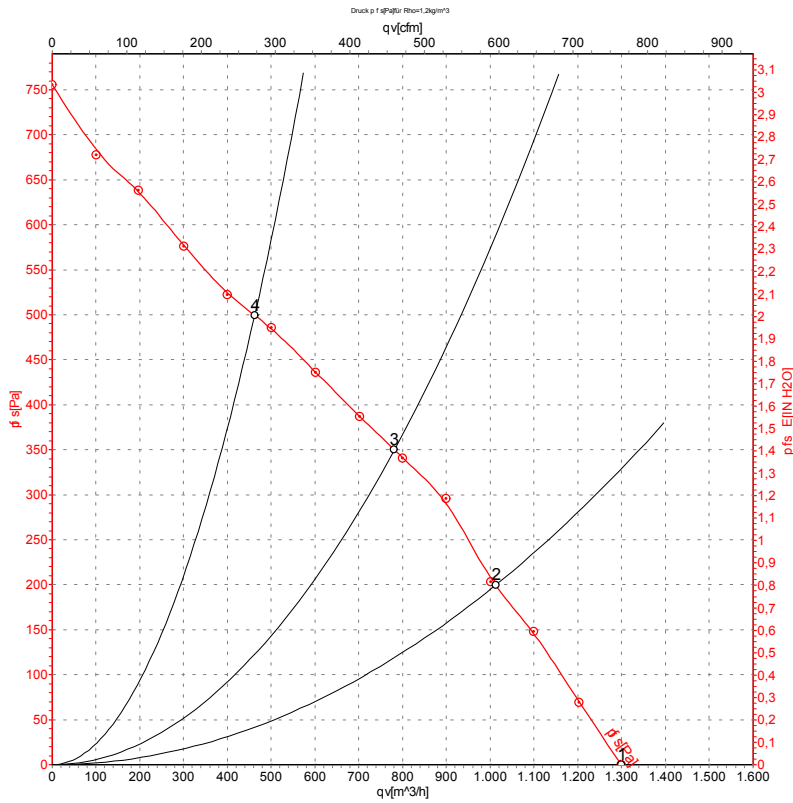
- |   |   |
|---|---|
| 1 | Accessory part: inlet nozzle 96358-2-4013 not included in scope of delivery |
| 2 | Depth of screw max. 5 mm  |
| 3 | Connection line PVC AWG20, 4x lead tips crimped                             |

## Connection screen



U1	blue	Z	brown	U2	black
PE	green/yellow				

## Charts: Air flow 60 Hz



Measurement: LU-127148

Air performance measured as per ISO 5801 Installation category A. For detailed information on the measuring set-up, please contact ebm-papst. Suction-side noise levels: LwA measured as per ISO 13347 / LpA measured with 1m distance to fan axis. The values given are valid under the measuring conditions mentioned above and may vary according to the actual installation situation. With any deviation from the standard set-up, the specific values have to be checked and reviewed with the unit installed.

## Measured values

	U	f	n	P <sub>e</sub>	I	LpA <sub>in</sub>	LwA <sub>in</sub>	qv	p <sub>fs</sub>
	V	Hz	min <sup>-1</sup>	W	A	dB(A)	dB(A)	m <sup>3</sup> /h	Pa
1	230	60	2900	190	0.83	69	76	1300	0
2	230	60	2700	210	0.92	64	72	1010	200
3	230	60	2700	207	0.90	60	68	780	350
4	230	60	2815	196	0.85	66	73	460	500

U = Supply voltage · f = Frequency · n = Speed · P<sub>e</sub> = Power input · I = Current draw · LpA<sub>in</sub> = Sound pressure level inlet side · LwA<sub>in</sub> = Sound power level inlet side · qv = Air flow  
 p<sub>fs</sub> = Pressure increase

